

Broil King®



CROWN 320
9811-53



CROWN 340
9811-63



CROWN 320S
9815-53



CROWN 340S
9815-63

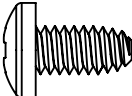
Onward
MANUFACTURING COMPANY

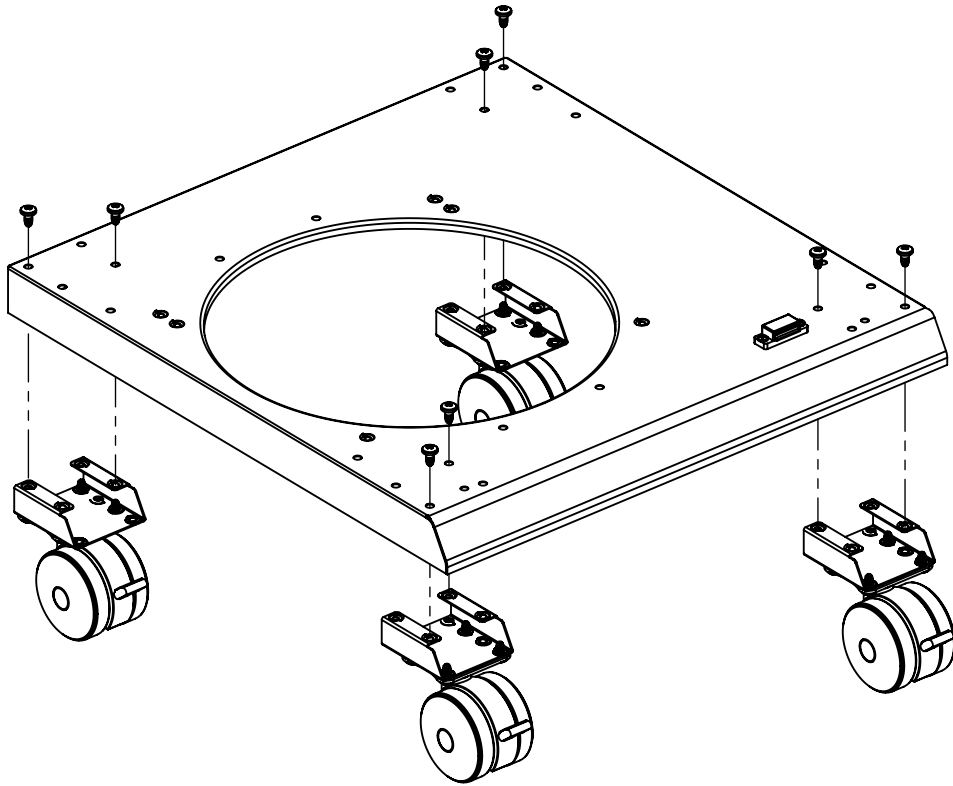
SINCE 1906
1000 EAST MARKET STREET
HUNTINGTON, INDIANA, 46750, USA

1-800-265-2150
info@omcbbq.com

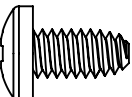
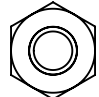
50084-E33EU Rev E 02/16

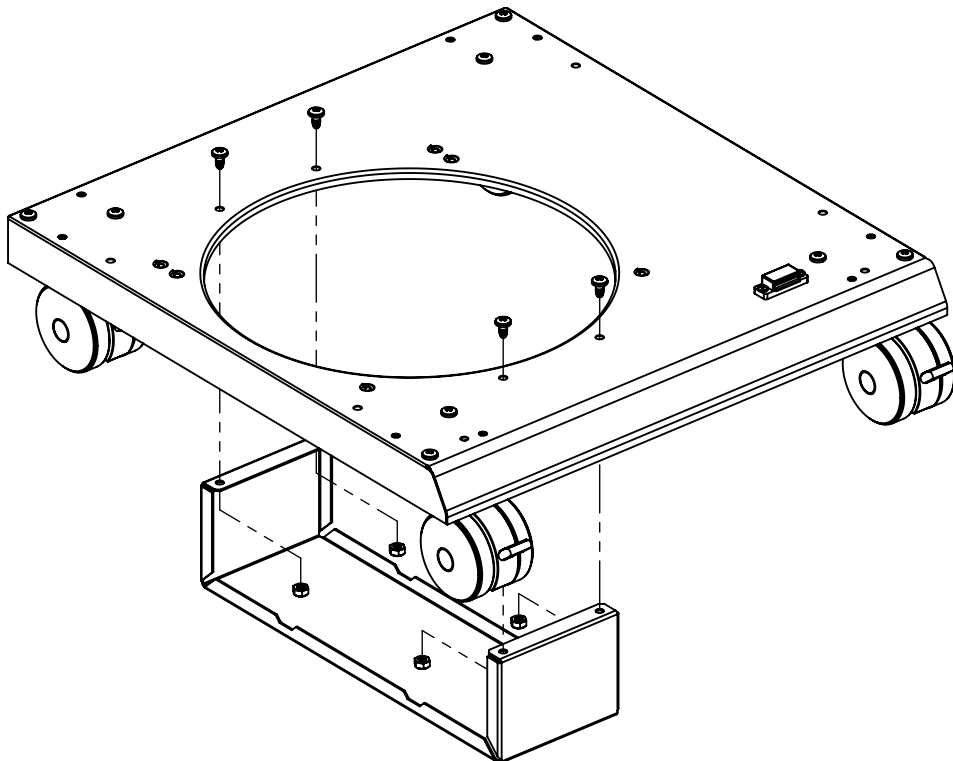
1

(8) 

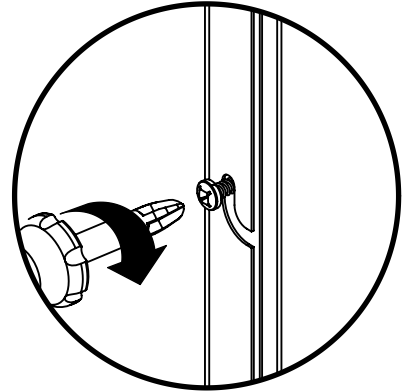
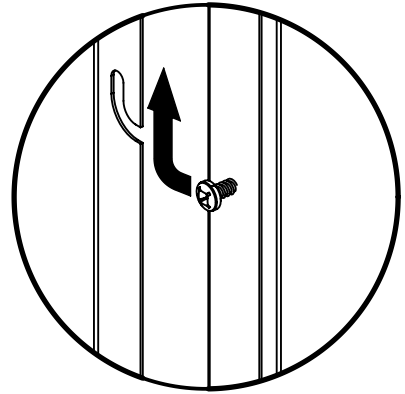
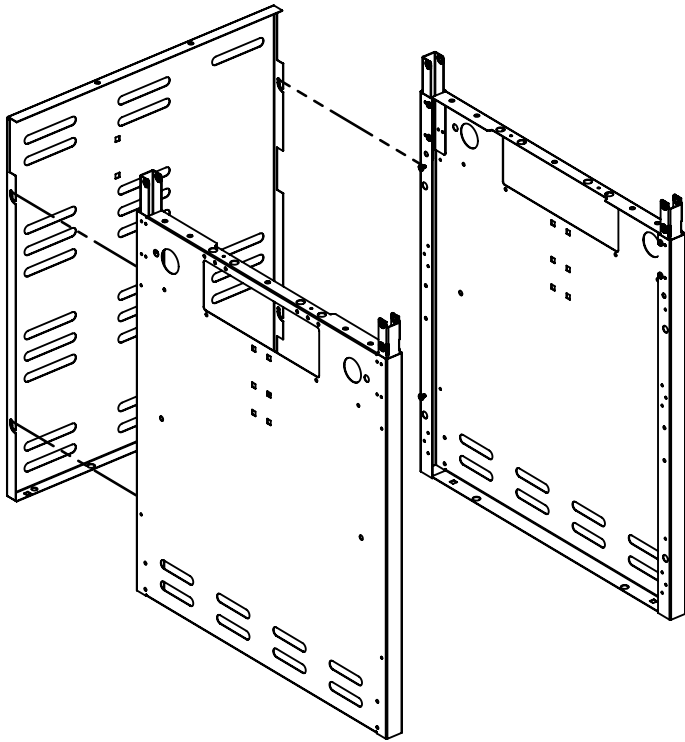


2

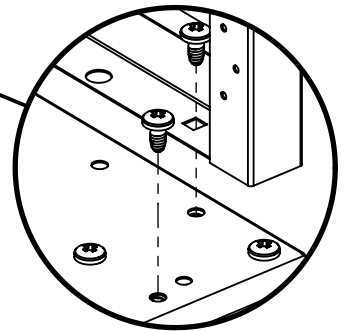
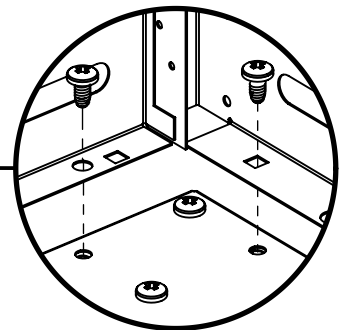
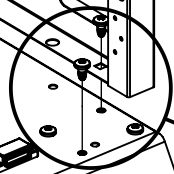
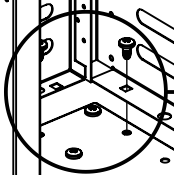
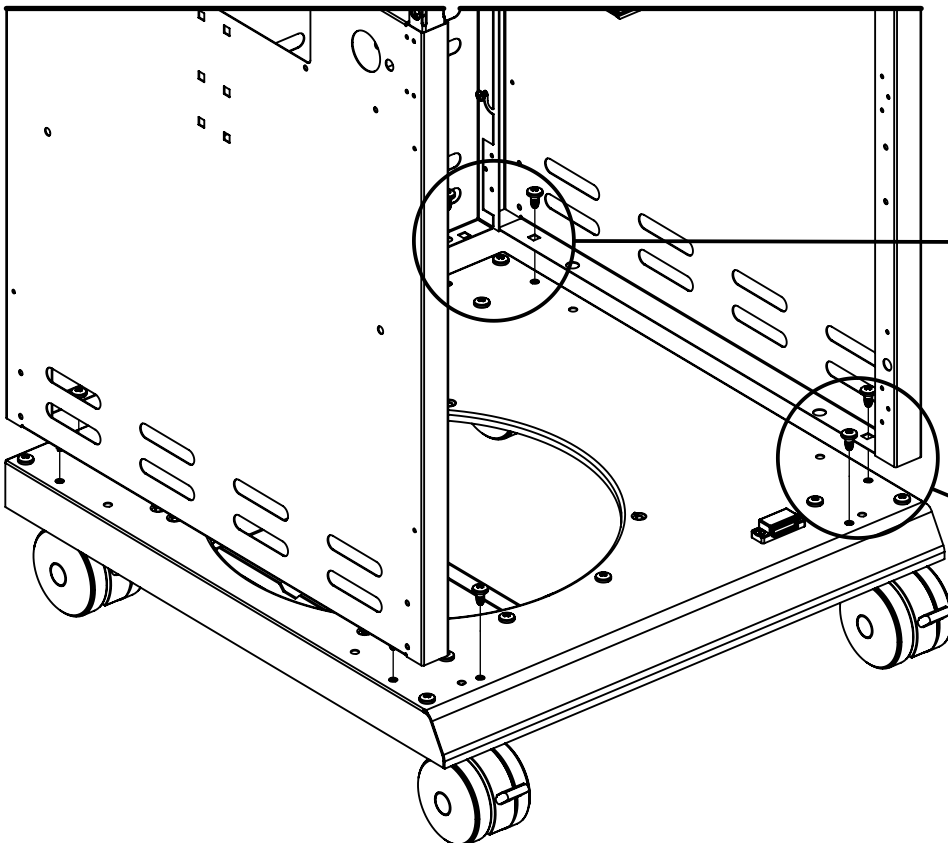
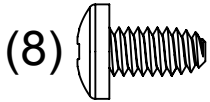
(4)  (4) 




3

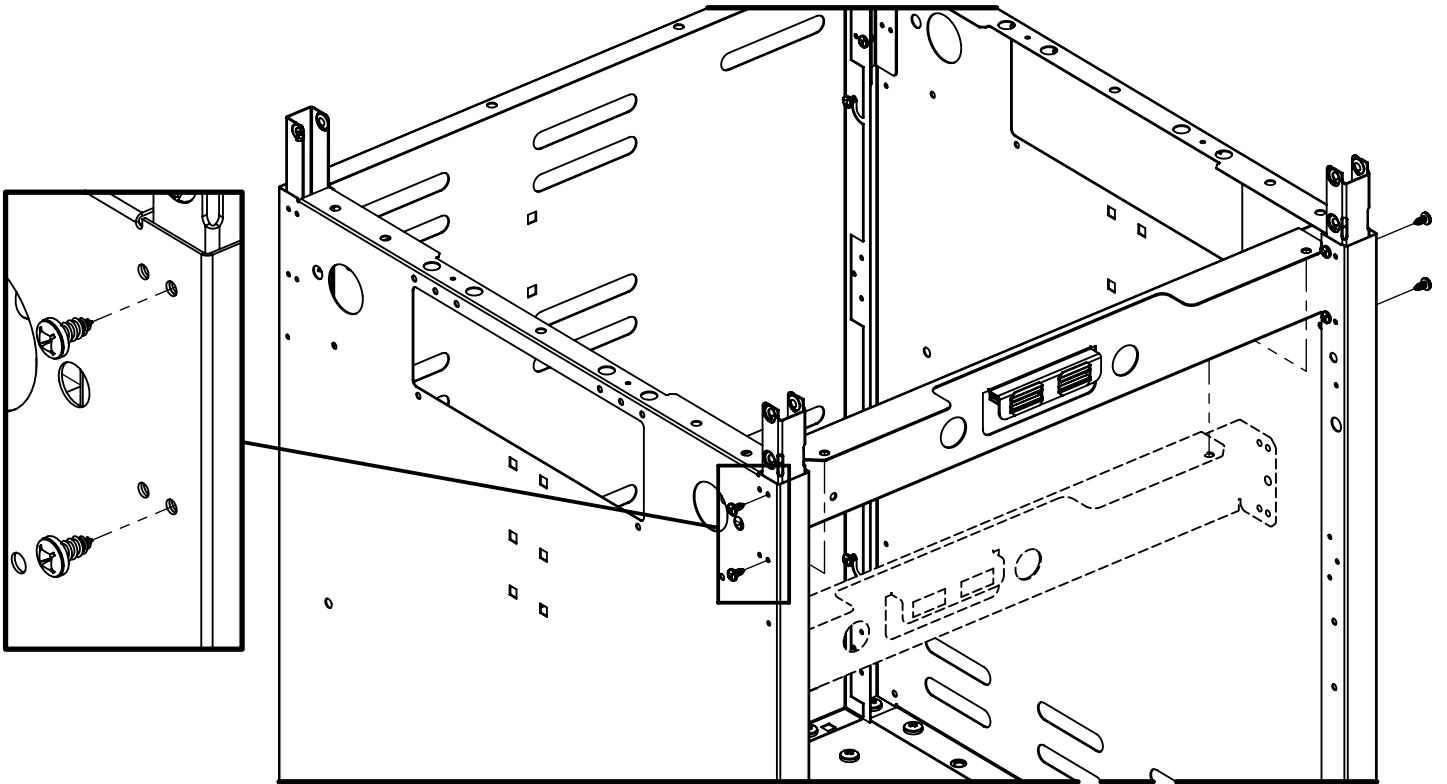


4




5

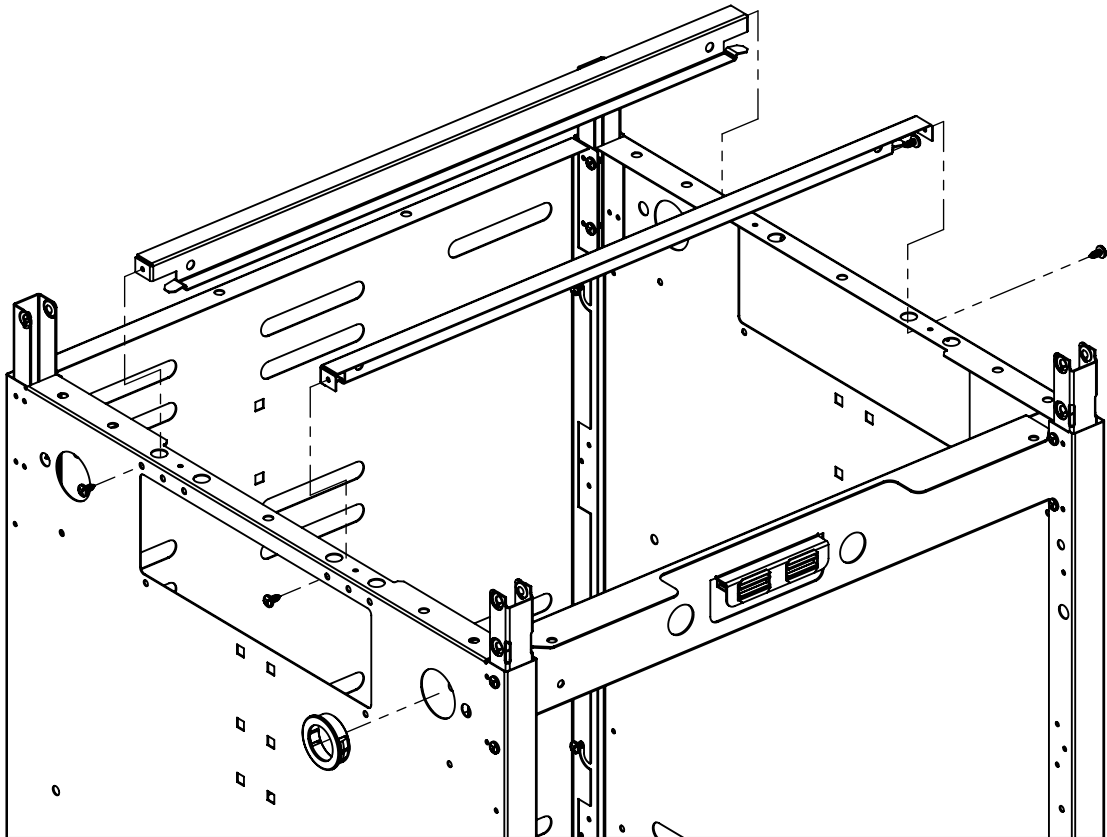
(4) 



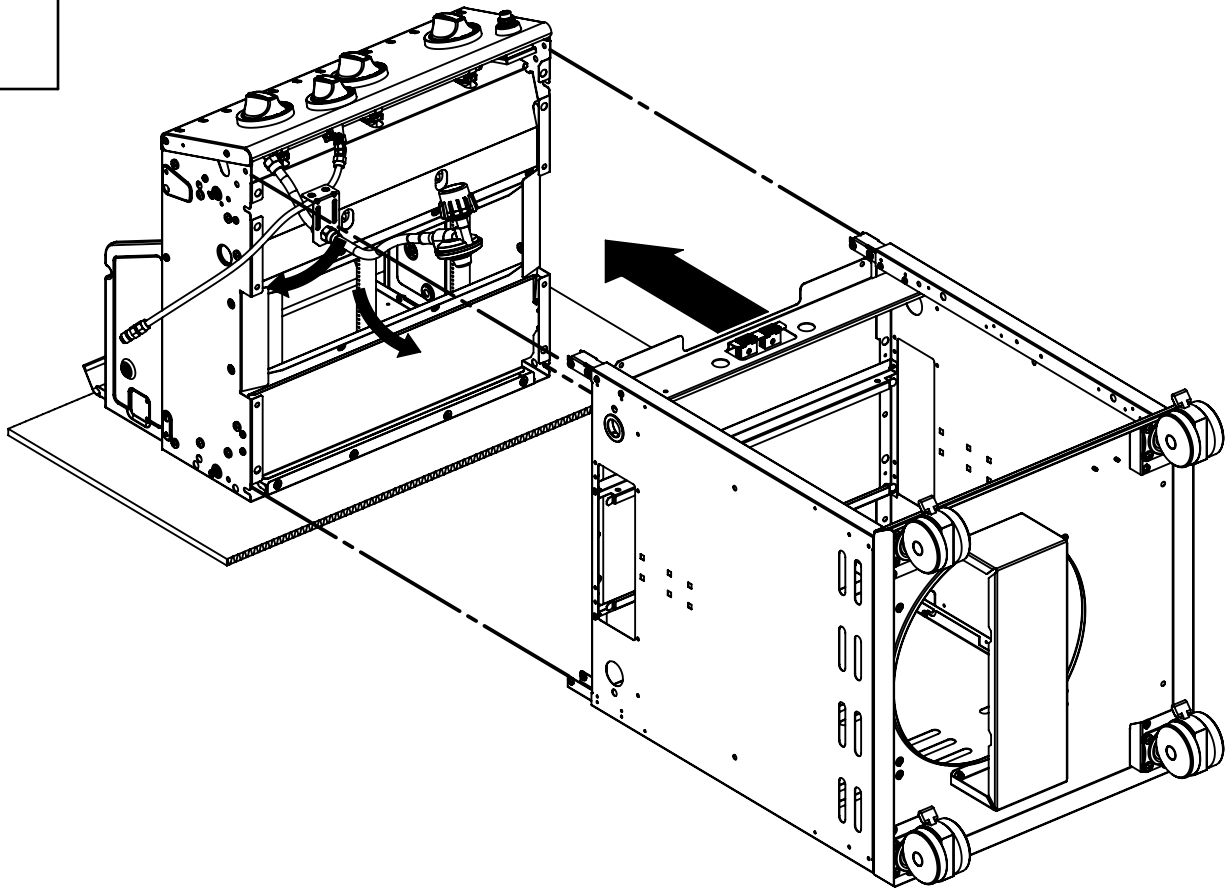
6

(4) 

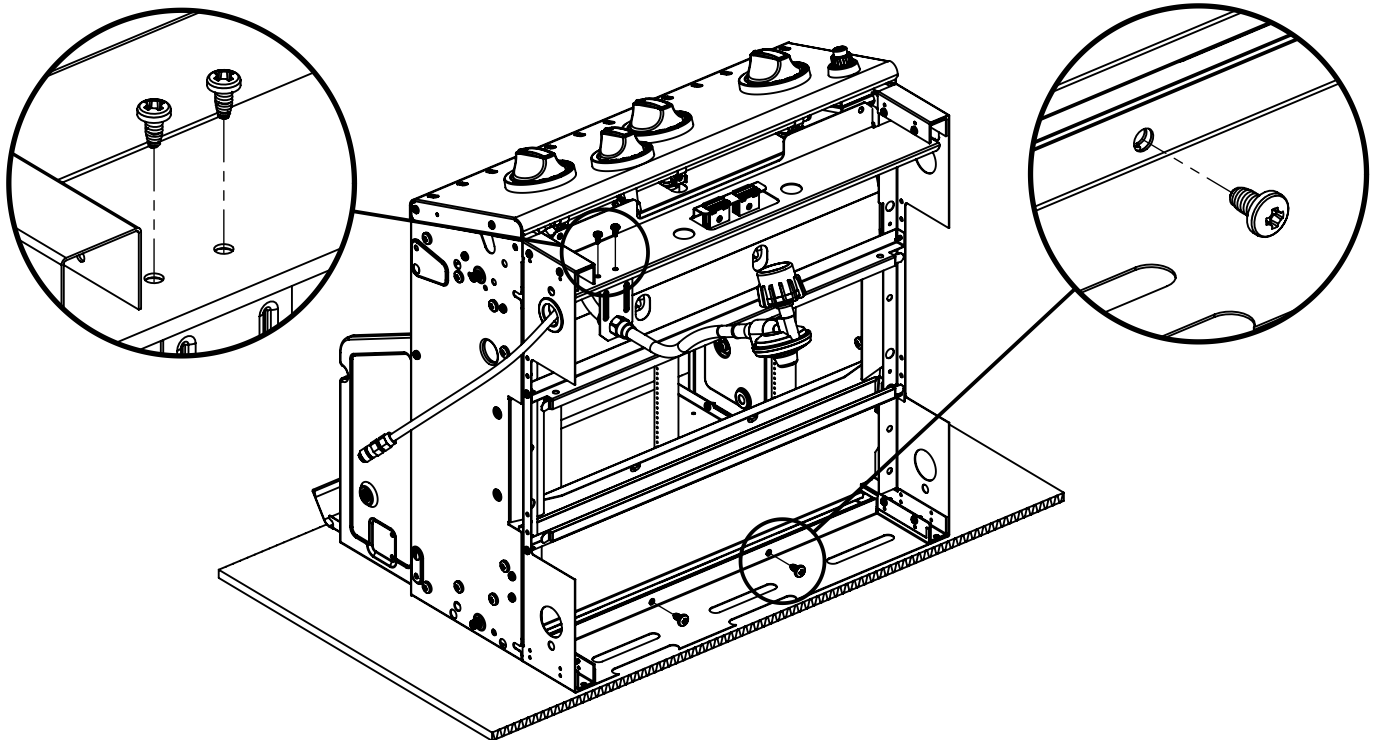
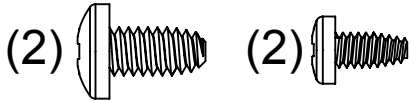
(1) 



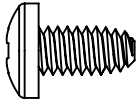
7

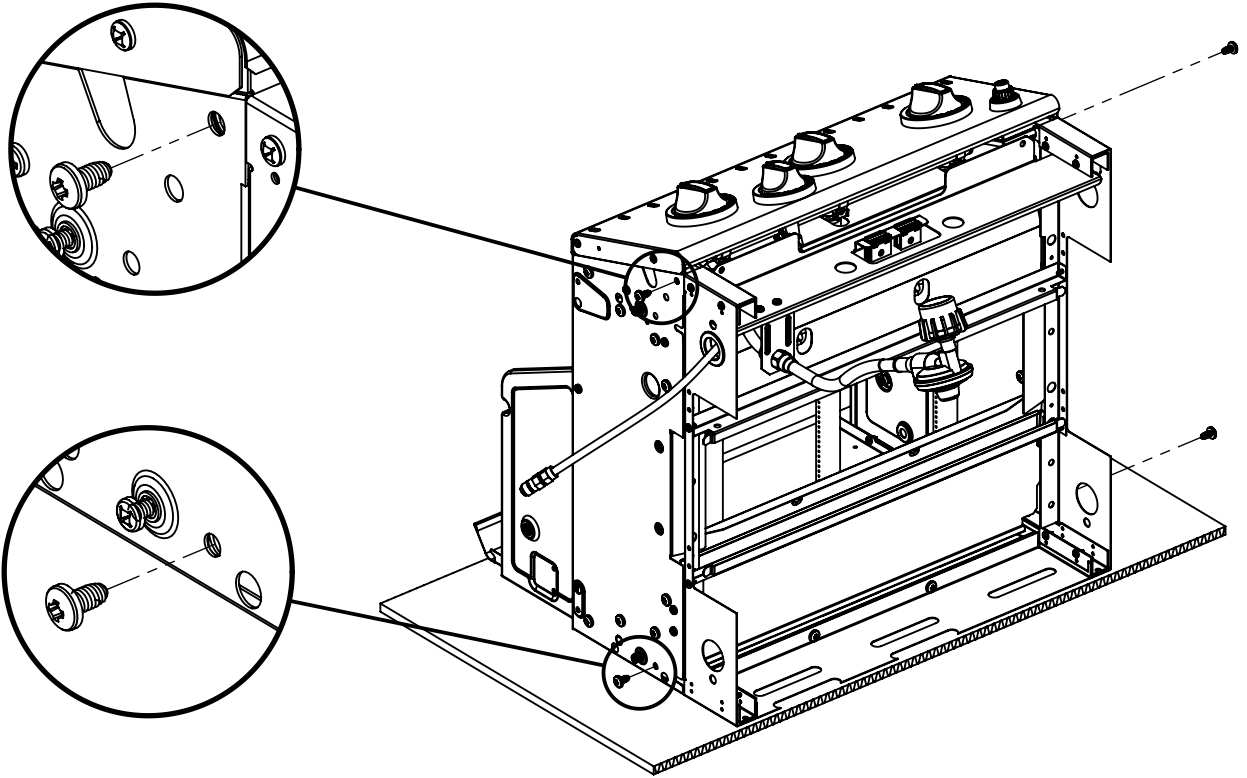


8

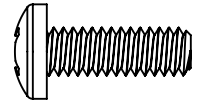
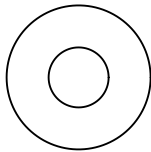


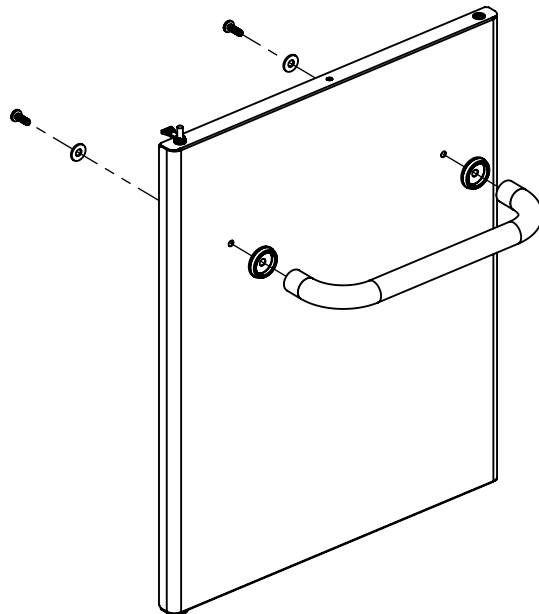
9

(4) 



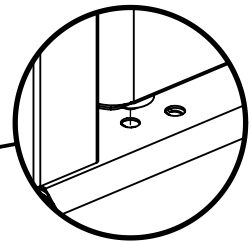
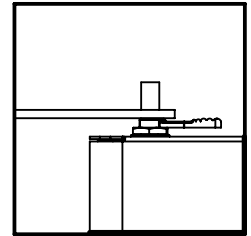
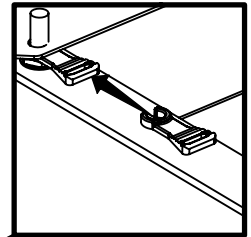
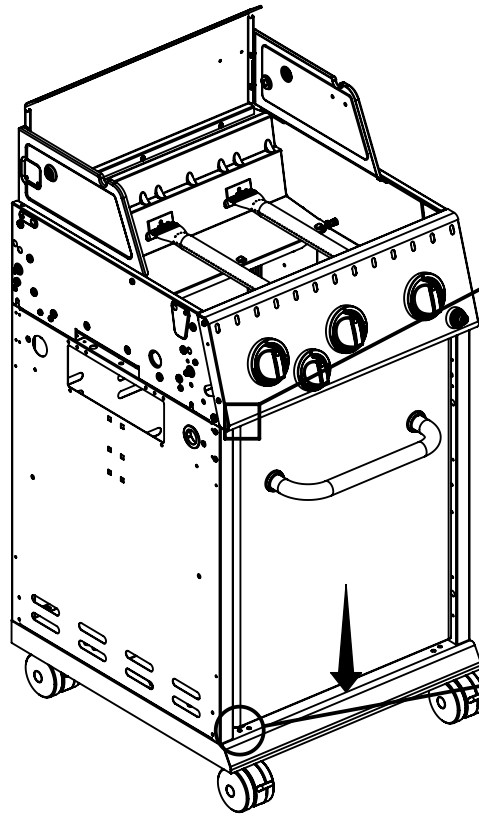
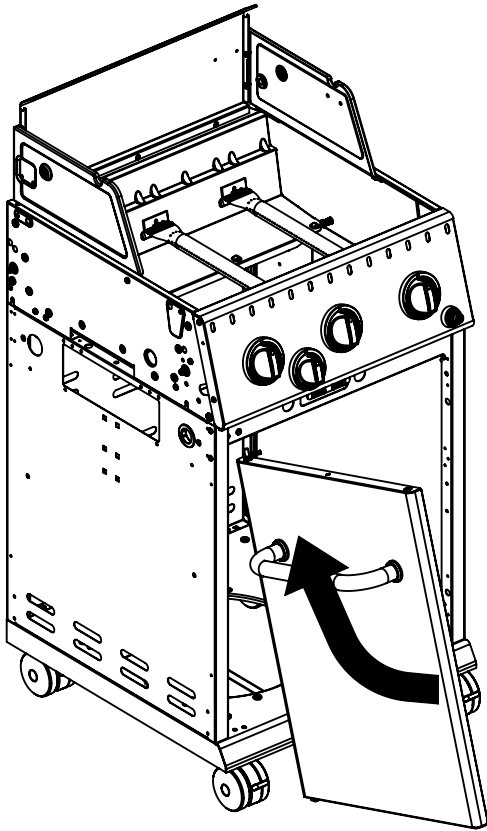
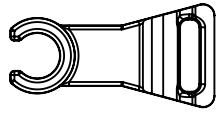
10

(2)  (2) 



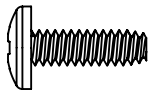
11

(1)

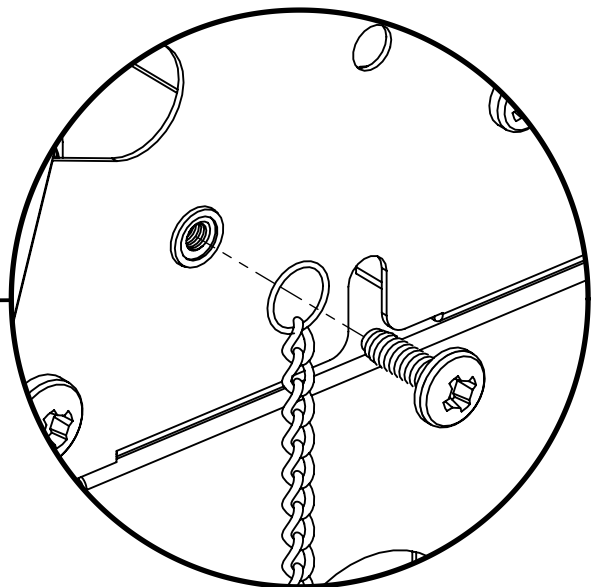
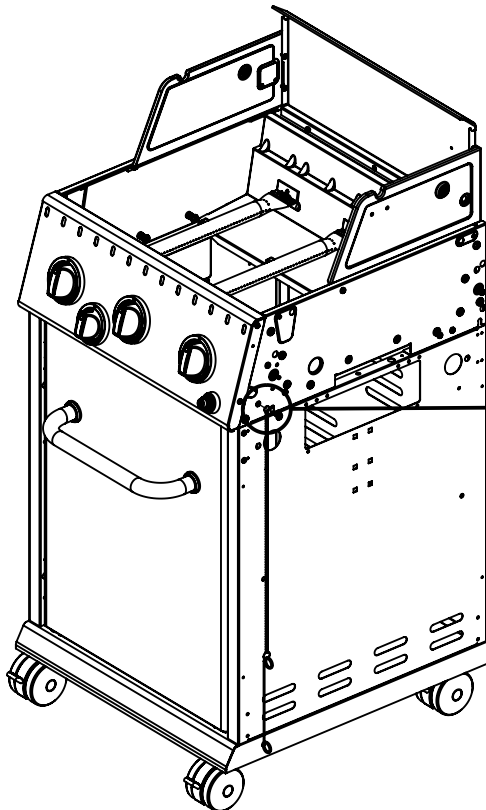
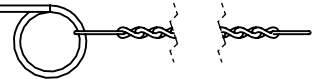


12

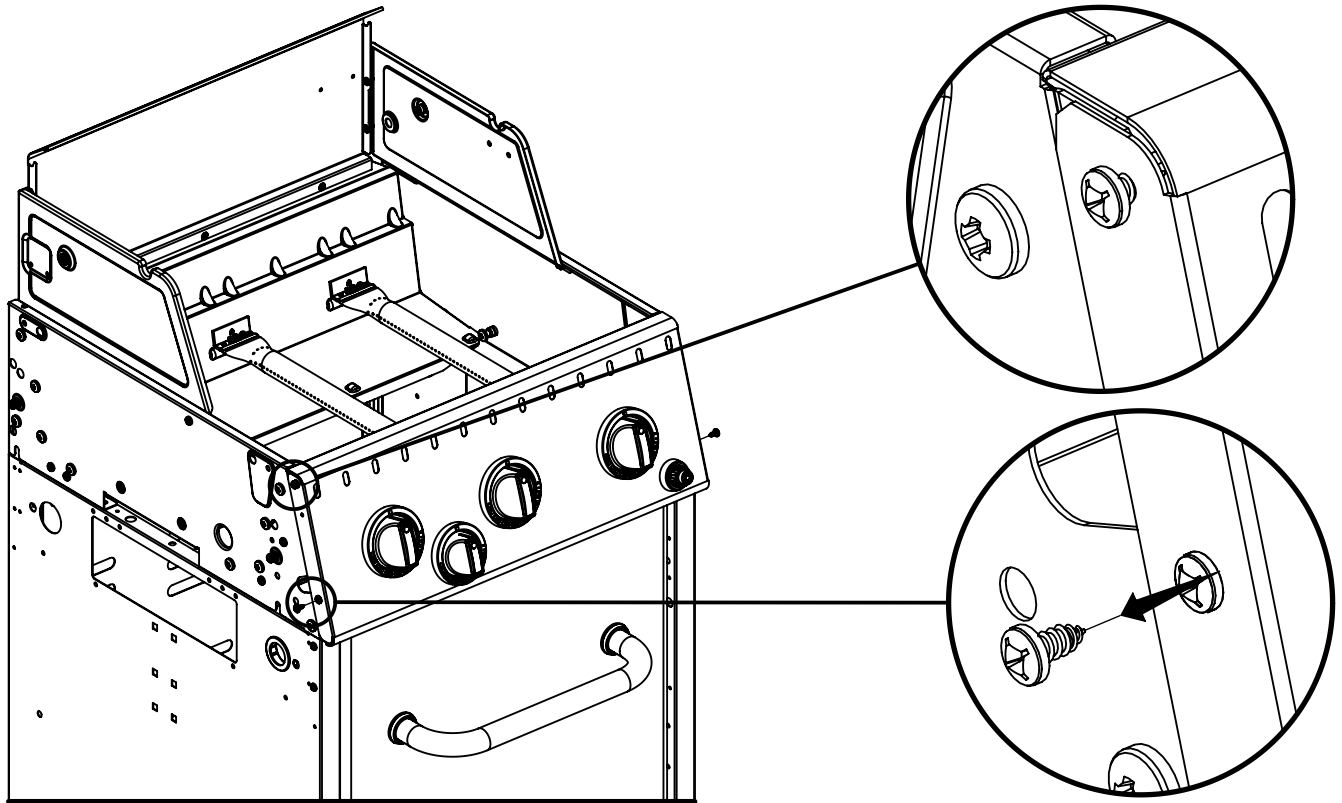
(1)



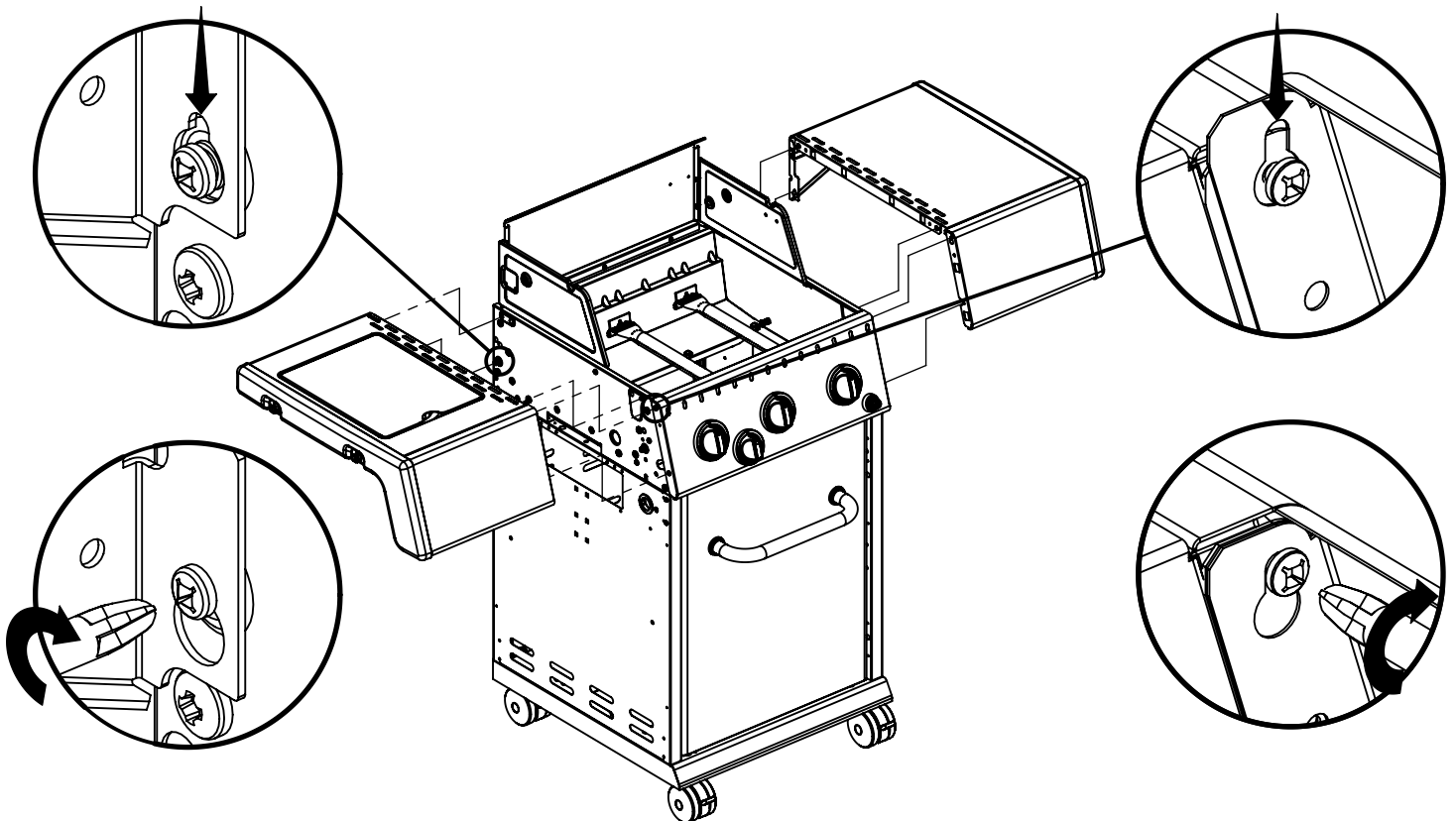
(1)



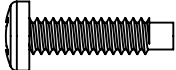
13

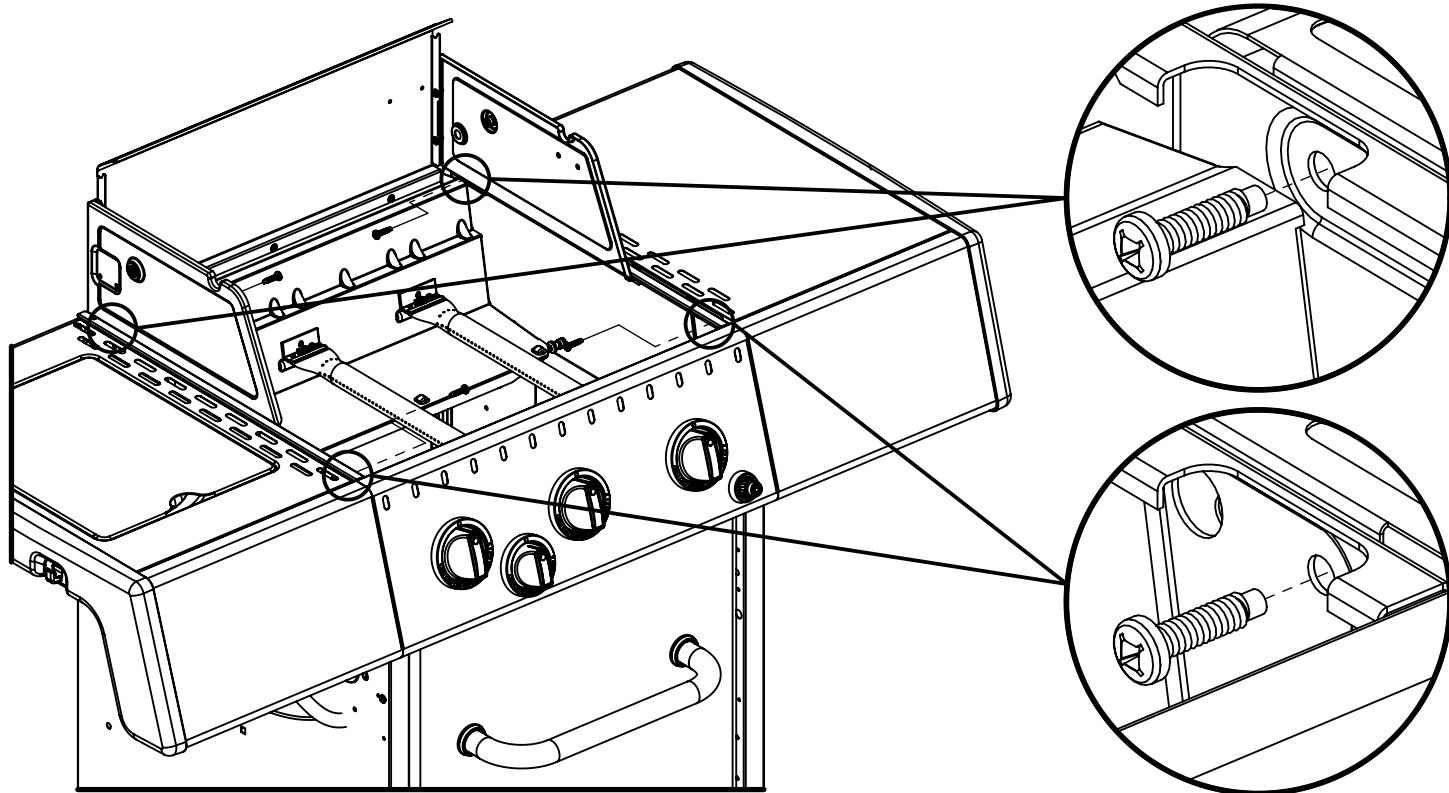


14

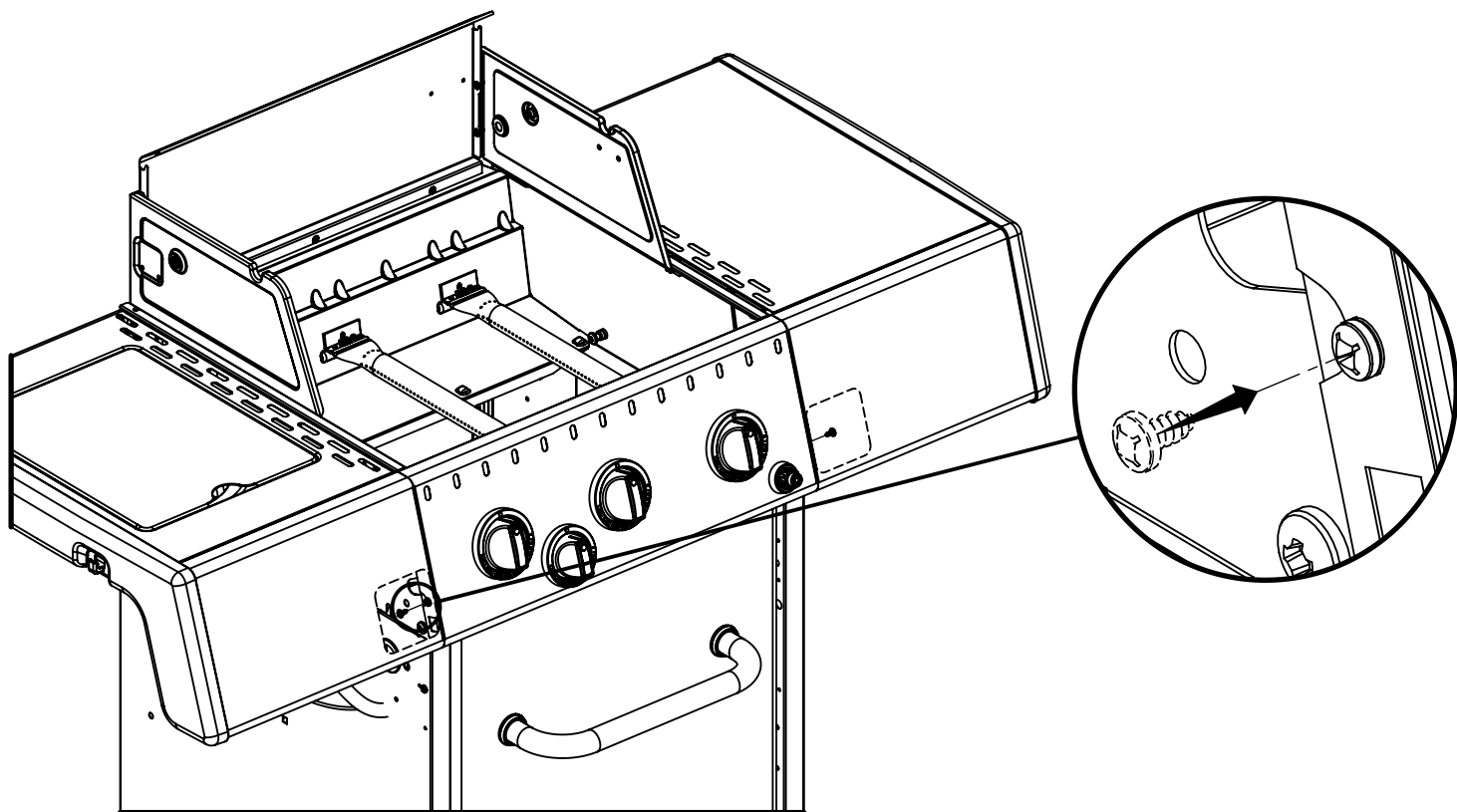


15

(4) 

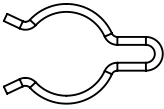


16

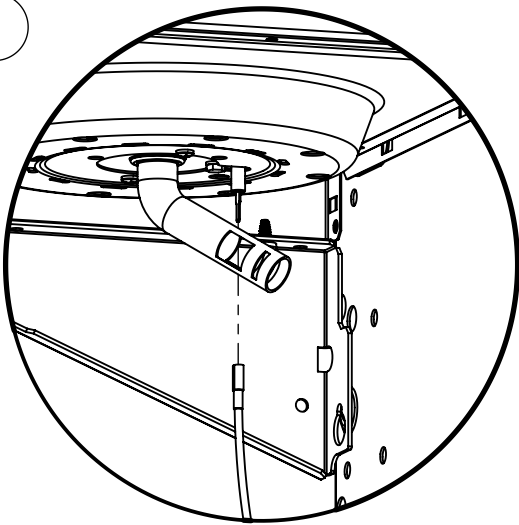


17

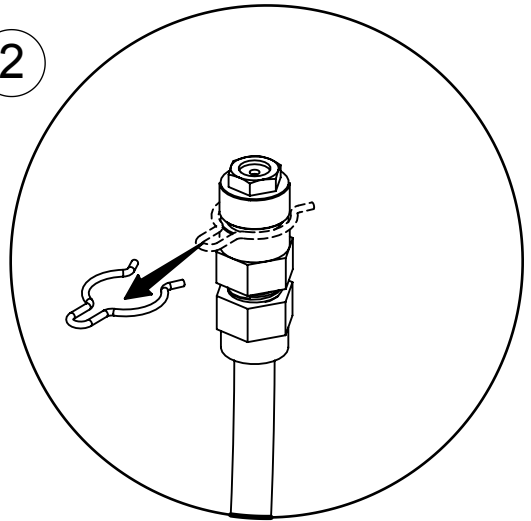
(1)



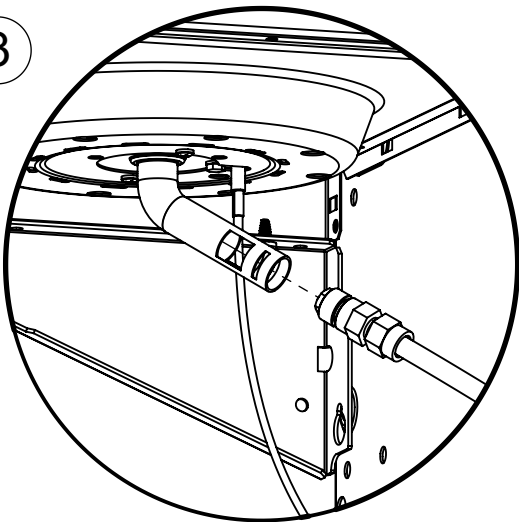
1



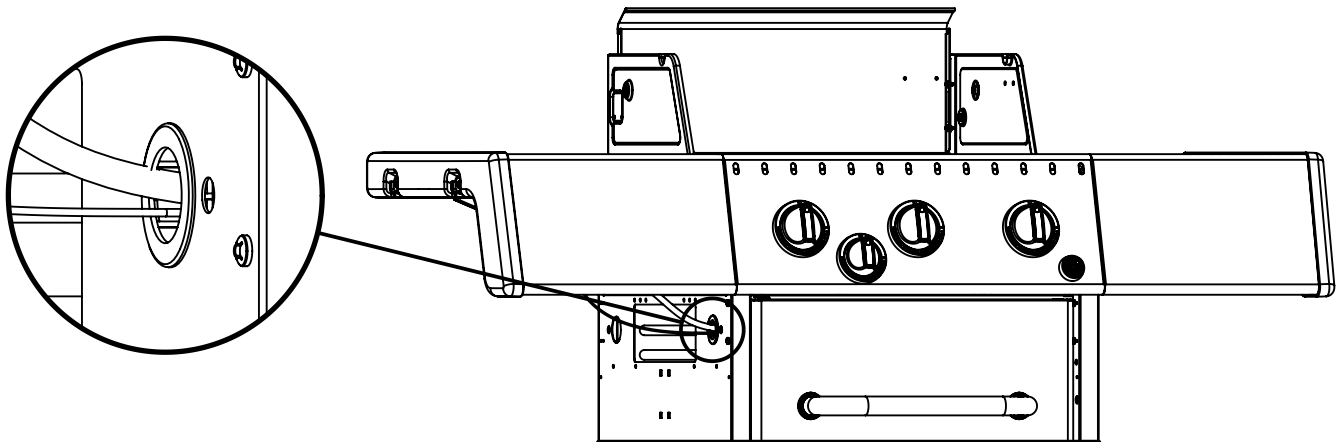
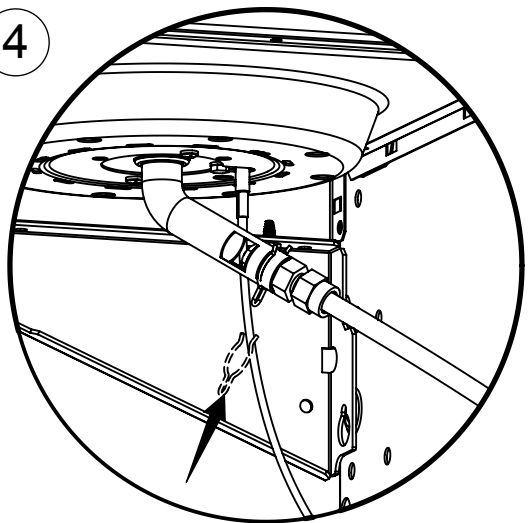
2

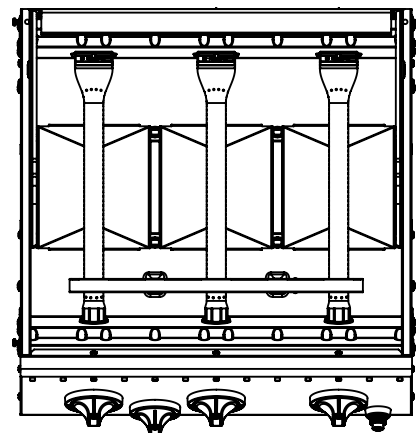
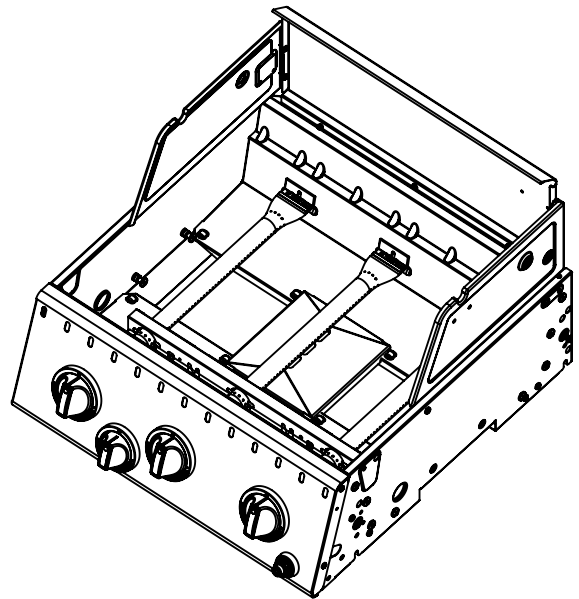
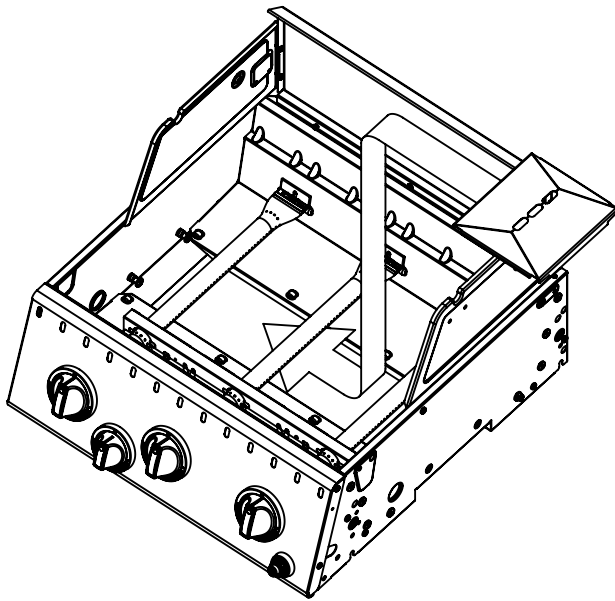
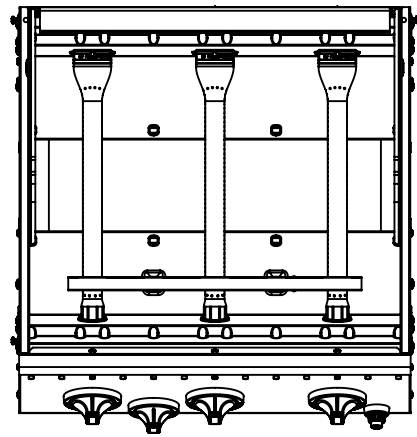
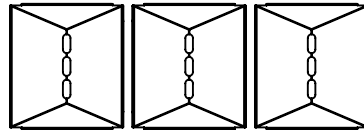


3

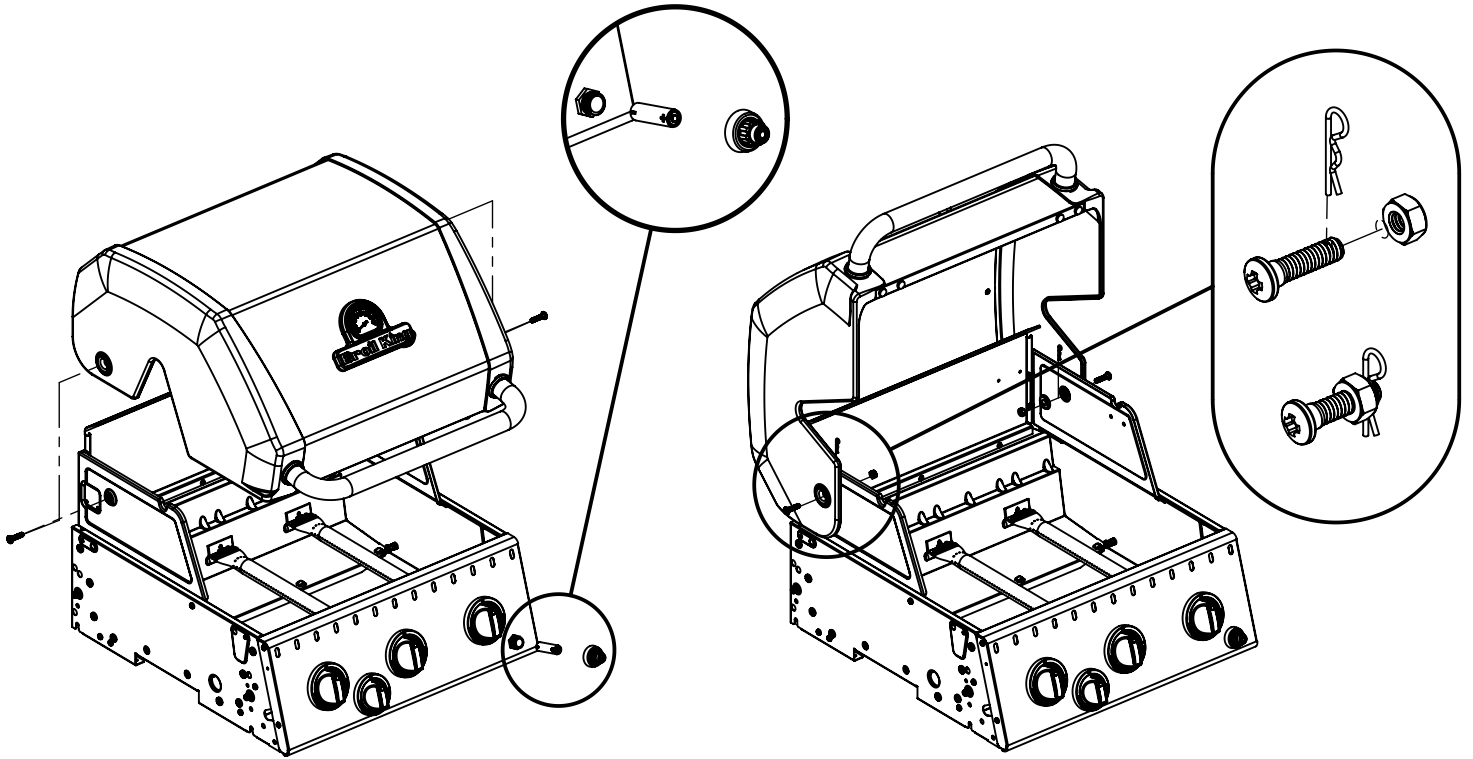
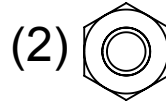
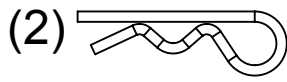
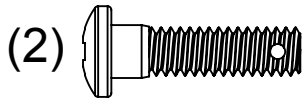


4

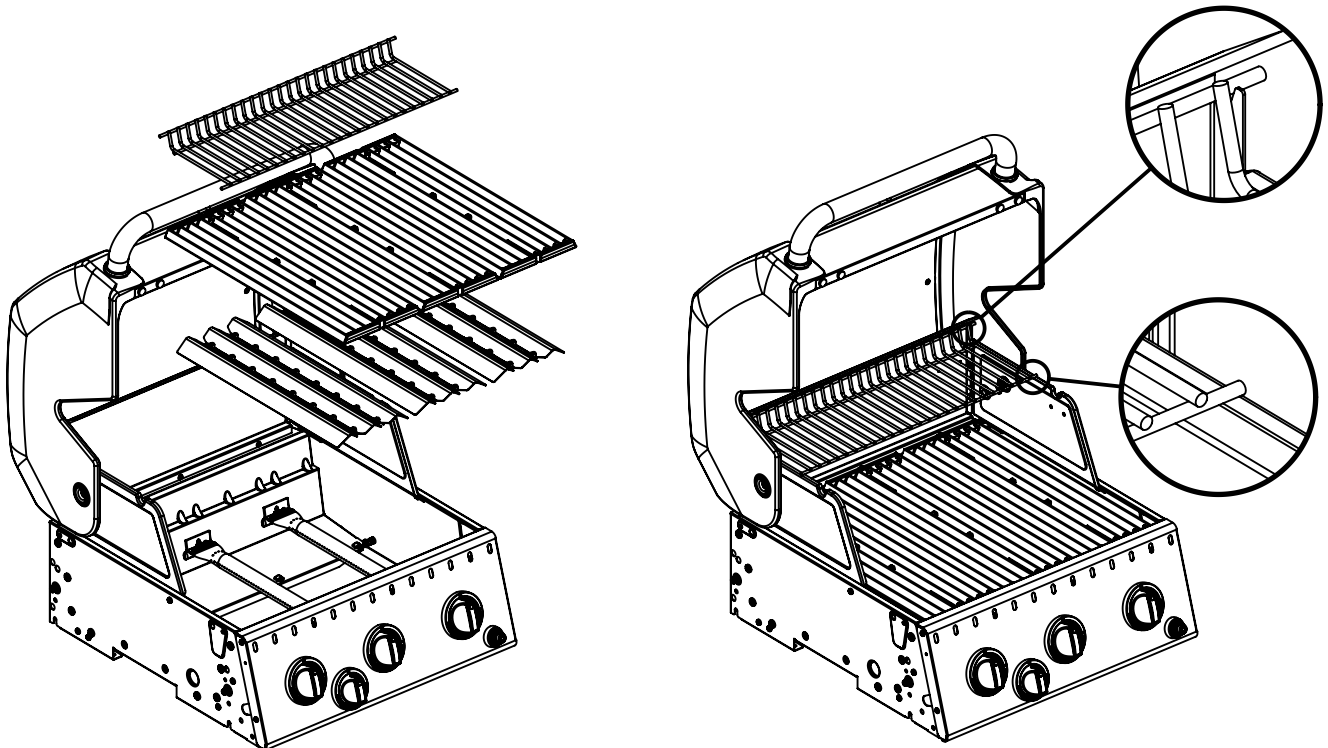




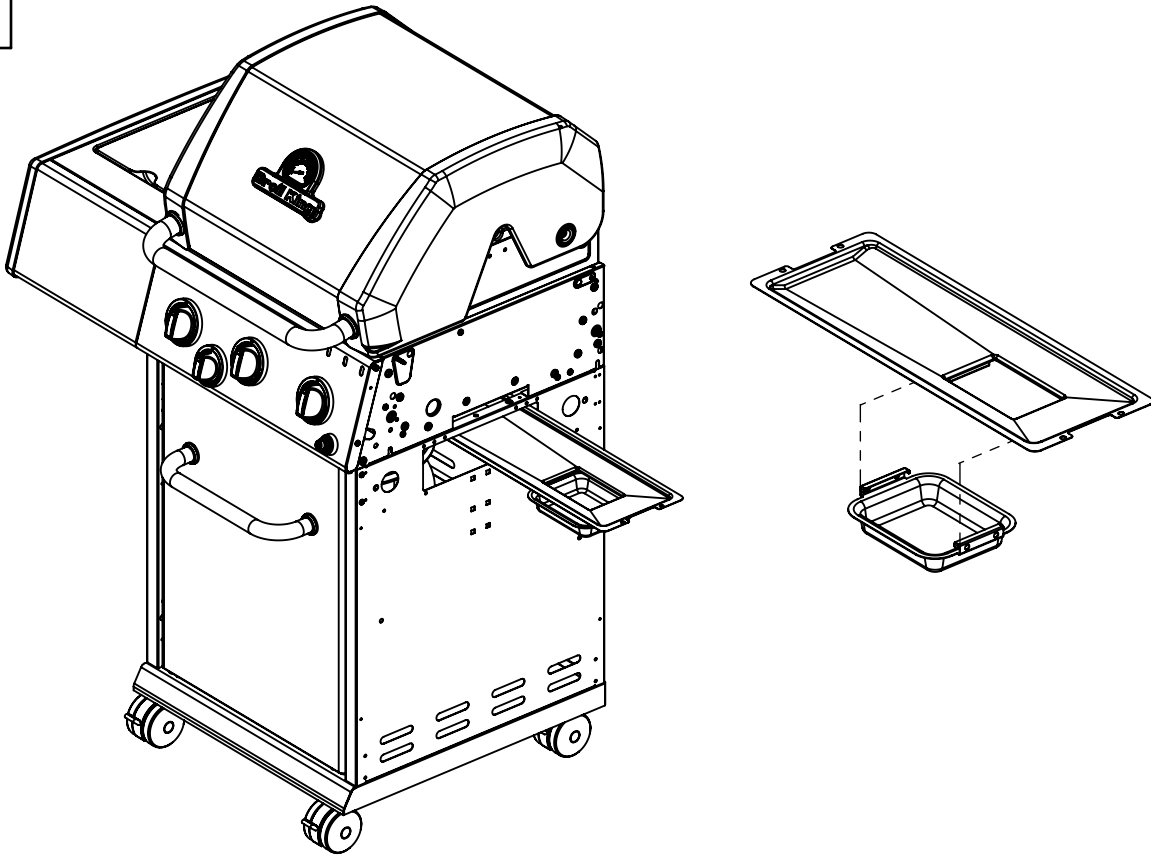
19



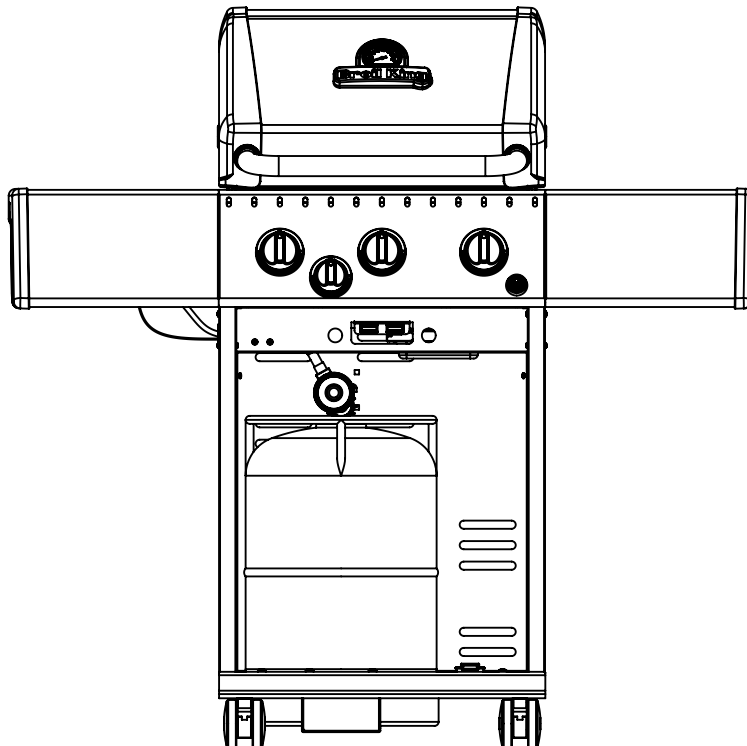
20

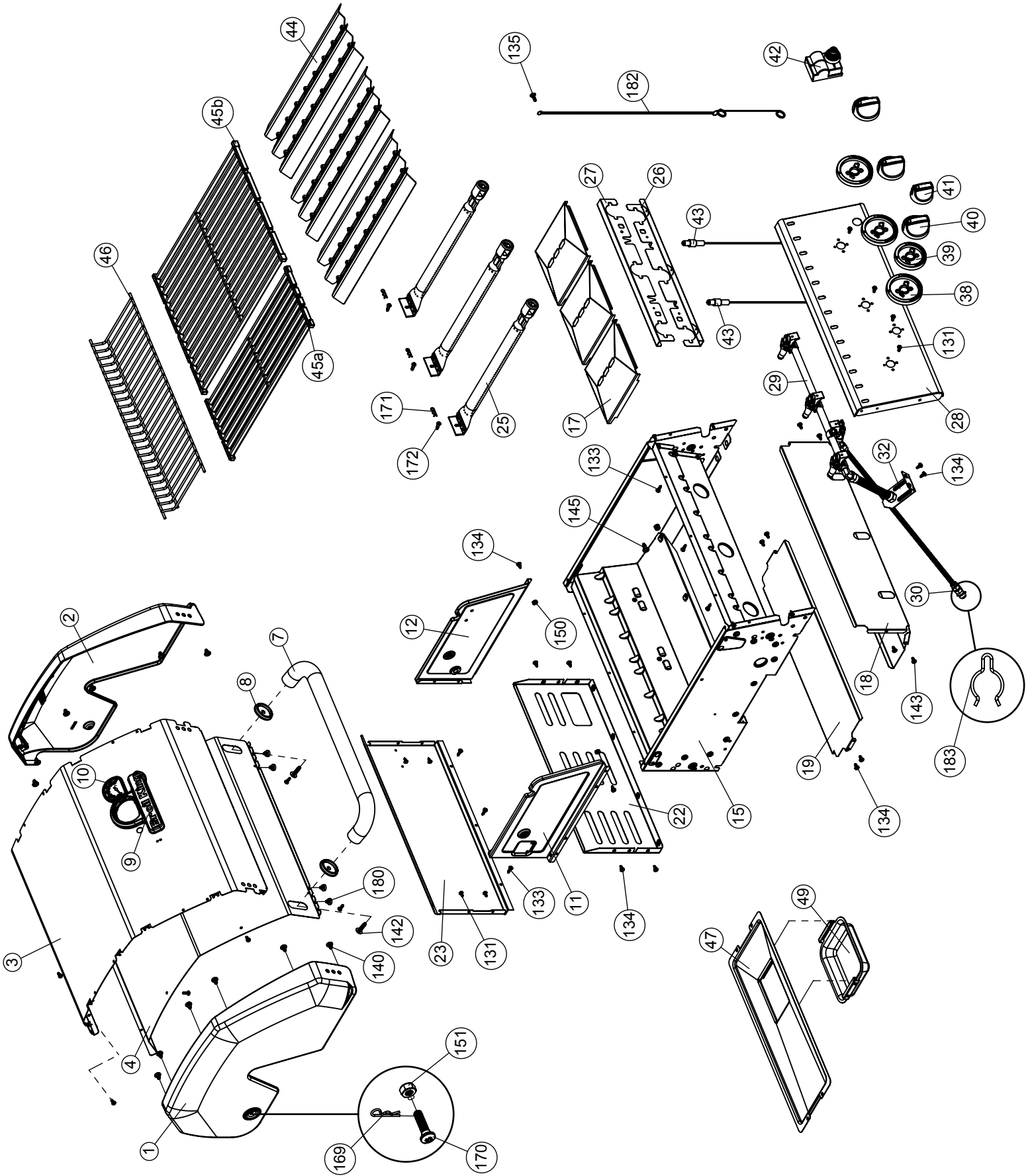


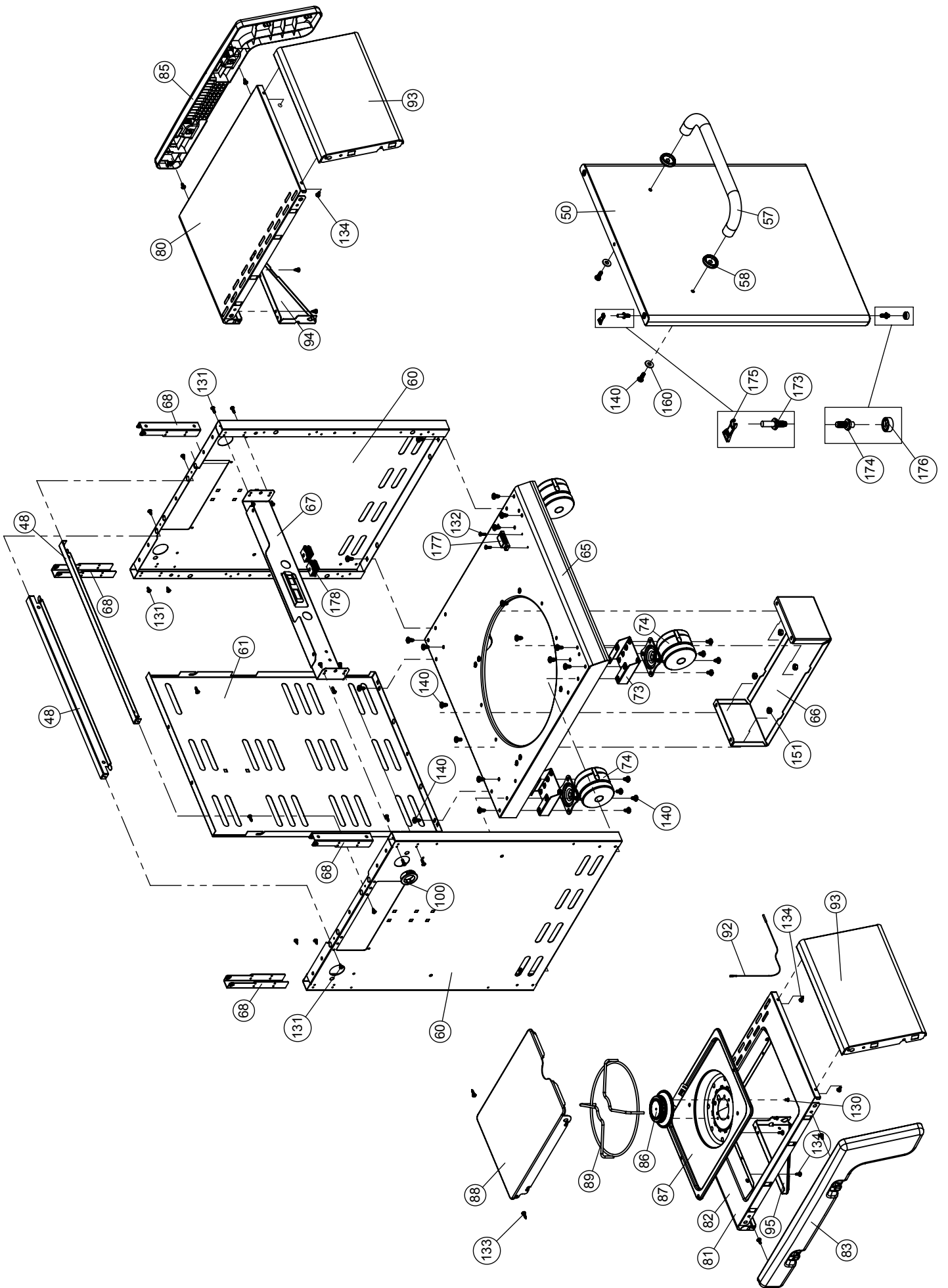
21



22







KEY #	ITEM #	DESCRIPTION	981153	981163	981553	981563	KEY #	ITEM #	DESCRIPTION	981153	981163	981553	981563
1	56104-831	LID - SIDE PANEL - LEFT	1	1	1	1	61	21303-925	CABINET - REAR PANEL	1	1	1	1
2	56104-811	LID - SIDE PANEL - RIGHT	1	1	1	1	65	51614-235	CABINET - LOWER BASE	1	1	1	1
3	56314-801	LID - OUTER PANEL	1	1	•	1	66	21039-301	TANK BRACKET	1	1	1	1
4	56314-804	LID - INNER PANEL	•	•	1	1	67	51334-211	MAGNET BRACKET	1	1	1	1
7	56244-30	LID - INNER PANEL HANDLE	1	1	1	1	68	57139-13	CONNECTION BRAKET	4	4	4	4
8	24004-12A	HANDLE BEZEL	1	1	1	1	73	51039-951	CASTER BRACKET	4	4	4	4
9	24009-936	NAMEPLATE	2	2	2	2	74	10892-23	CASTER	4	4	4	4
10	10081-BK630	HEAT INDICATOR	1	1	1	1	80	53104-111	SIDE SHELF	1	1	1	1
11	10571-6	HEAT INDICATOR	1	1	1	1	82	53104-131	SIDE SHELF	1	1	1	1
12	52114-131R	PANEL - SIDE UPPER - LEFT	1	1	1	1	81	53104-151	SIDE SHELF - SIDE BURNER	•	•	•	•
15	52114-11R	PANEL - SIDE UPPER - RIGHT	1	1	1	1	83	53184-118	SIDE SHELF - END CAP	1	1	1	1
17	56004-001P	FIREBOX	1	1	1	1	85	53184-138	SIDE SHELF - END CAP	1	1	1	1
18	27249-904	GREASE SHIELD	3	3	3	3	86	10390-E10D	SIDE BURNER	•	•	•	•
19	52064-91	HEAT SHIELD - FRONT	1	1	1	1	87	10390-E10E	SIDE SHELF	1	1	1	1
22	52044-92	HEAT SHIELD - REAR	1	1	1	1	88	53004-271	SIDE BURNER - BODY	•	•	•	•
23	52303-121	PANEL - REAR	1	1	1	1	89	53000-251	SIDE BURNER - COVER	1	1	1	1
25	52313-151	PANEL - HOOD	1	1	1	1	88	63139-981	SIDE BURNER GRID	1	1	1	1
26	52904-144D	BURNER - MAIN	•	•	•	•	89	10342-T21	SIDE BURNER ELECTRODE	1	1	1	1
27	52904-144E	BURNER - MAIN	3	3	3	3	93	53404-114	SIDE SHELF FRONT	2	2	2	2
28	52904-144NGE	BURNER - MAIN	•	•	•	•	94	23030-611	SIDE SHELF - BRACKET - RIGHT	1	1	1	1
29	52224-024	COLLECTOR BOX - FRONT LOWER	1	1	1	1	95	23030-631	SIDE SHELF - BRACKET - LEFT	1	1	1	1
30	52214-024	COLLECTOR BOX - FRONT UPPER	1	1	1	1	100	Y-12220	GROMMET	•	•	•	•
32	52013-124	CONTROL COVER	1	1	•	1	129	S21123	SCREW - #8 X 1/2	12	12	12	12
38	59004-012	CONTROL ASSEMBLY	1	•	1	•	130	Y-12835	SCREW - #6 X 1/4	•	•	•	•
39	59004-016	CONTROL ASSEMBLY	1	•	1	•	131	S21125	SCREW - #8 X 3/8	20	20	20	20
40	59004-032	CONTROL ASSEMBLY	•	•	•	•	132	S21124	SCREW - #8 X 1/2	13	13	13	13
41	59004-033	CONTROL ASSEMBLY	•	•	•	•	133	Y-12646	SCREW - SHOULDER #8 X 1/2	10	10	10	10
42	59004-036	CONTROL ASSEMBLY	•	•	•	•	134	Y-29304	SCREW - #10-24 X 3/8	30	30	30	30
43	S13473-073	HOSE - SIDE BURNER	•	•	•	•	135	S35094	SCREW - #10-24 X 5/8	1	1	1	1
44	S13473-118	HOSE - SIDE BURNER	1	1	•	1	136	Y-29310	SCREW - #10-24 X 3/4	8	8	8	8
45a	10111-15A	HOSE	•	•	•	•	140	Y-12865	SCREW - 1/4-20 X 1/2	60	60	60	60
46	22002-268	CONTROL BEZEL	1	1	•	1	142	Y-12860	SCREW - 1/4-20 X 1	2	2	2	2
47	22001-168	CONTROL BEZEL	•	•	•	•	145	Y-11546	SCREW - SHOULDER 1/4-20 X 5/8	6	6	6	6
48	10472-K431	CONTROL KNOB	3	3	•	3	150	Y-29307	NUT - #10-24	2	2	2	2
49	10472-K231	CONTROL KNOB	•	•	•	•	151	Y-11793	NUT - 1/4-20	6	6	6	6
50	10342-245	ELECTRONIC IGNITOR	1	1	•	1	160	Y-12857	WASHER	2	2	2	2
51	10342-246	ELECTRONIC IGNITOR	•	•	•	•	162	Y-12870	WASHER #10	12	12	12	12
52	10342-E13	ELECTRODE	•	1	•	1	163	S21252	WASHER - M4	10	10	10	10
53	52209-404	FLAV-R-WAVE®	2	2	•	2	169	S21233	CLIP	2	2	2	2
54	52007-181	GRID	3	3	3	3	170	10240-23	HINGE PIN	2	2	2	2
55	52005-181	GRID	•	•	•	•	171	S21242	CLIP	4	4	4	4
56	52004-991	GRID - WARMING RACK	•	•	•	•	172	Y-11544	BURNER SCREW	4	4	4	4
57	57054-902	GREASE TRAY	1	1	1	1	173	10240-19	DOOR HINGE PIN - TOP	2	2	2	2
58	21034-991	GREASE TRAY - RAIL	1	1	1	1	174	Y-12127	DOOR HINGE PIN - BOTTOM	2	2	2	2
59	52009-902	GREASE PAN	2	2	2	2	175	Y-12124	DOOR CLIP	1	1	1	1
60	51174-131A	DOOR	1	1	1	1	176	Y-12222	DOOR HINGE COVER	2	2	2	2
61	51174-134A	DOOR	•	•	•	•	177	Y-12223	MAGNET	2	2	2	2
62	21106-13	DOOR HANDLE	1	1	1	1	178	Y-11235	MAGNET - SNAP IN	2	2	2	2
63	21070-13	HANDLE BEZEL	2	2	2	2	180	Y-11231	LID BUMPER	4	4	4	4
64	21109-905	CABINET - SIDE PANEL	2	2	2	2	181	20005-000	LID BUMPER - ROUND	2	2	2	2
65			2	2	2	2	182	Y-11230	MATCH LIGHT CHAIN	1	1	1	1
66			2	2	2	2	183		RETAINER CLIP	•	•	•	•