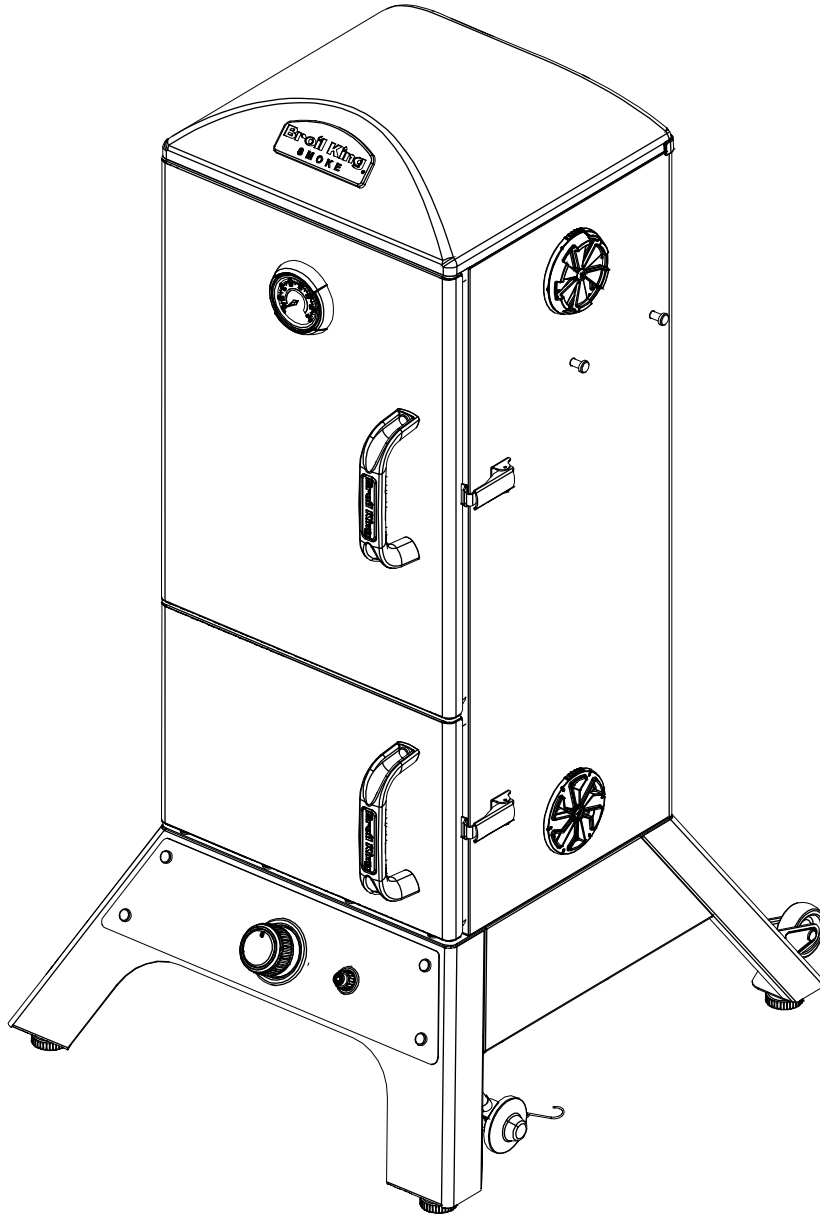


Broil King®



Broil King

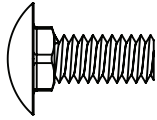

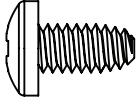
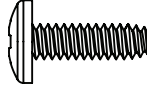

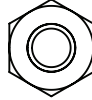
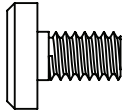
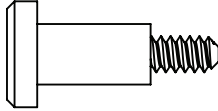
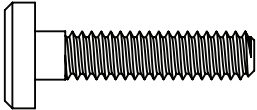

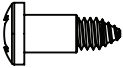
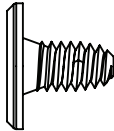

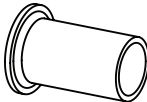
9236-12
9236-13
9236-13NZ

Onward
SINCE 1906
MANUFACTURING COMPANY
585 KUMPF DRIVE LIMITED
WATERLOO, ONTARIO, CANADA
N2V 1K3

info@omcbbq.com
1-800-265-2150

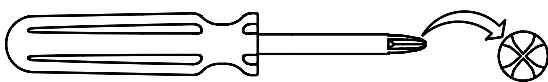
11412285-EU REV B 06/16

HARDWARE INCLUDED / MATERIAL INCLUS / EQUIPOS INCLUIDO

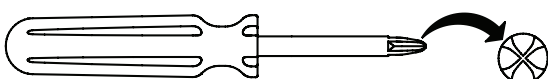
S21141		(4)	Y-11598		(6)
Y-12865		(21)	S35094		(1)
Y-29307		(1)	Y-11793		(8)
63599-74		(4)	63599-73		(4)
63599-72		(6)	S21125		(4)
42259-10		(6)	535091		(6)
C12507		(1)	63599-75		(6)

TOOLS REQUIRED / OUTILS NECESSAIRES / HERRAMIENTAS NECESARIAS

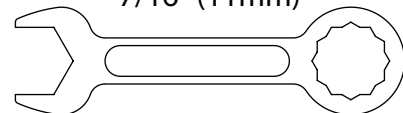
#2 PHILLIPS



#3 PHILLIPS

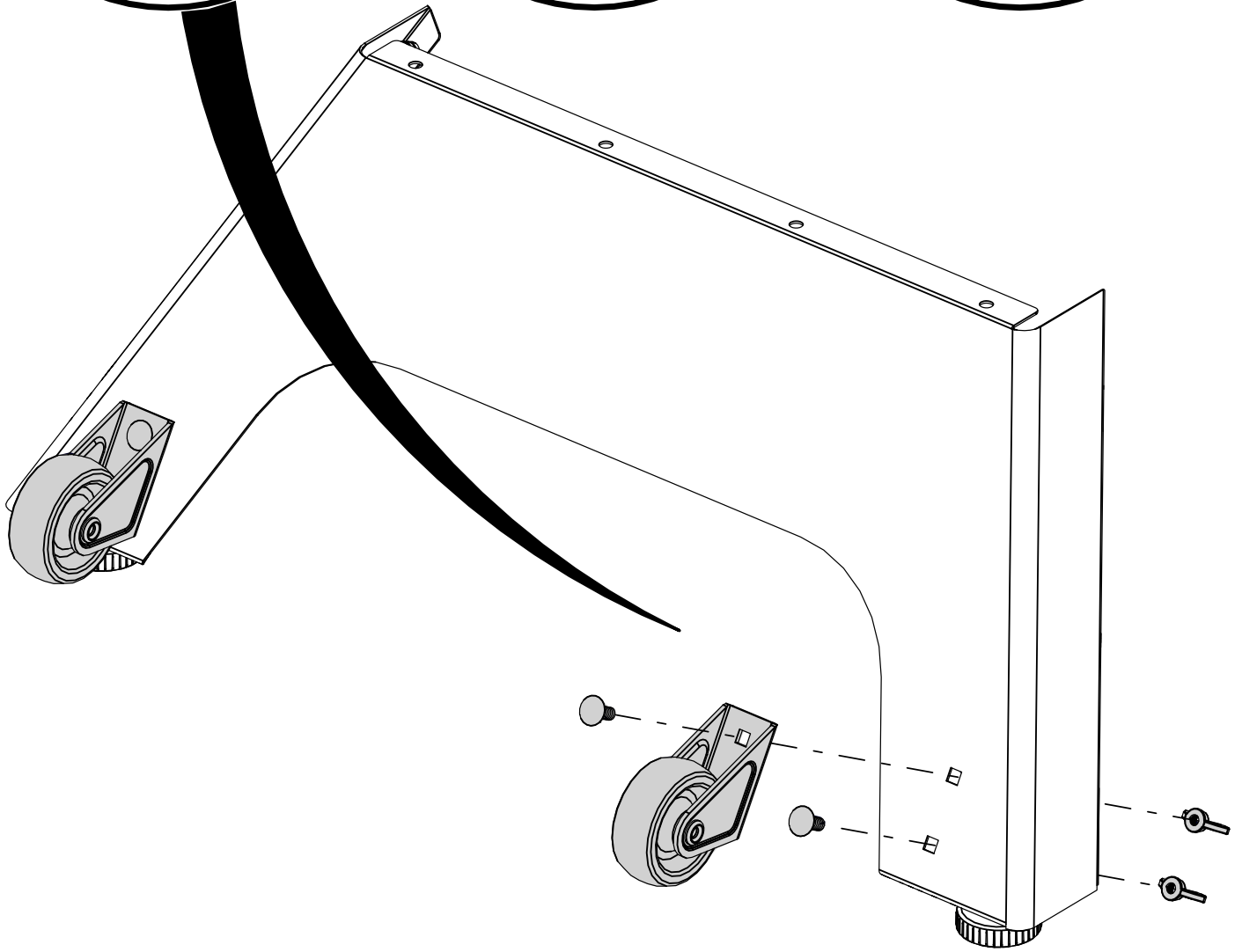
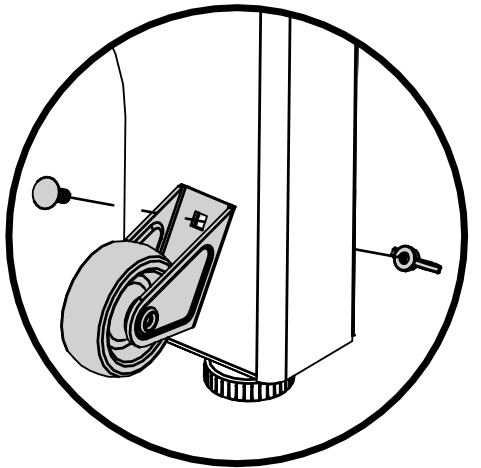
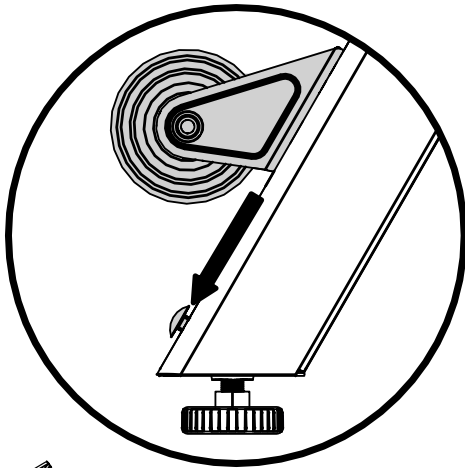
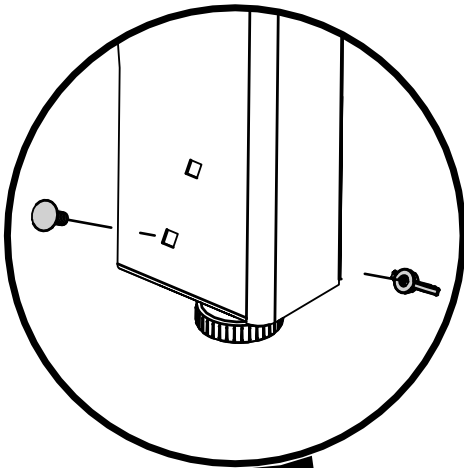


7/16" (11mm)

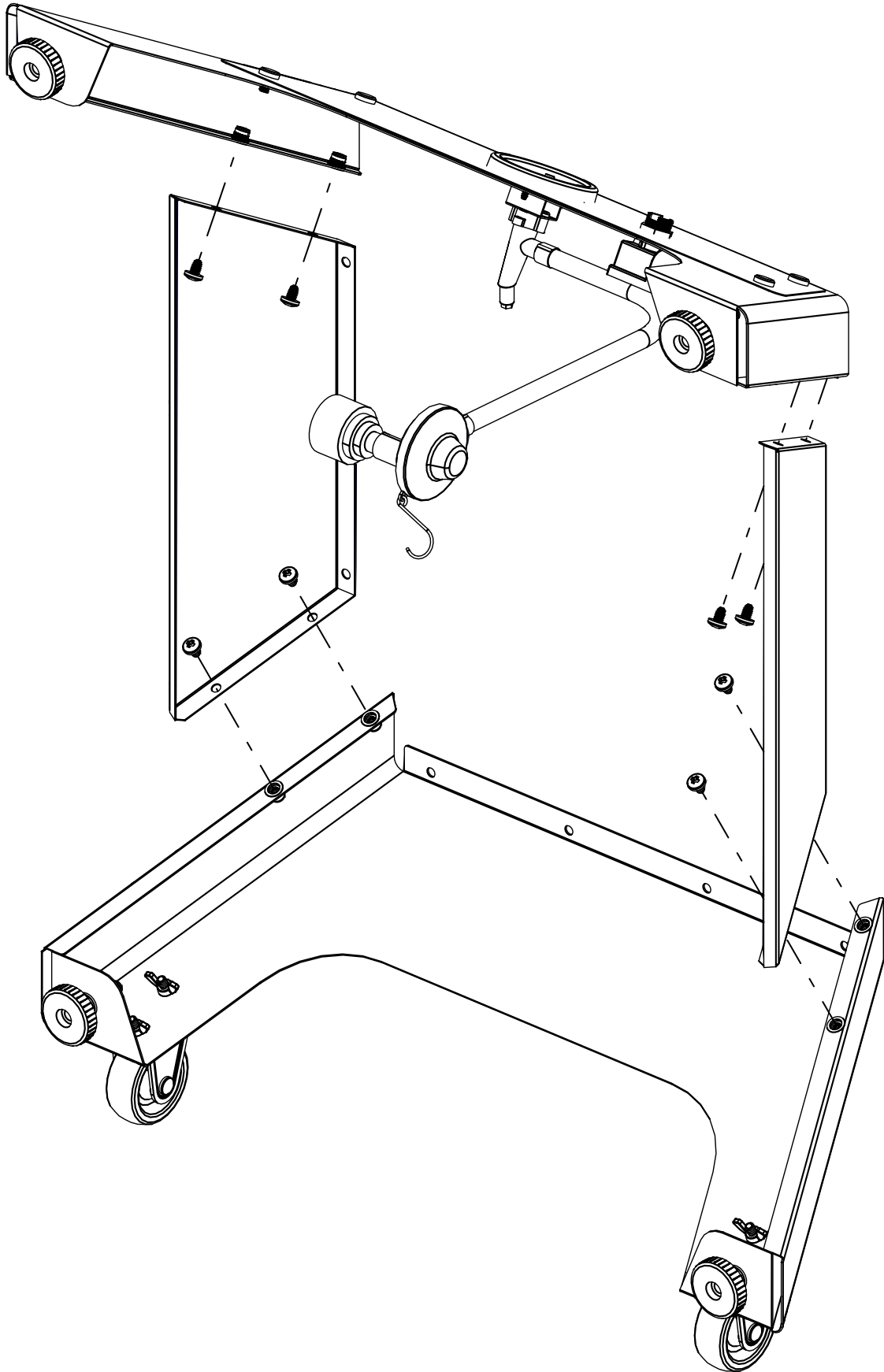
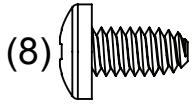


1

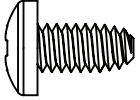
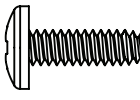


(4)  (4) 

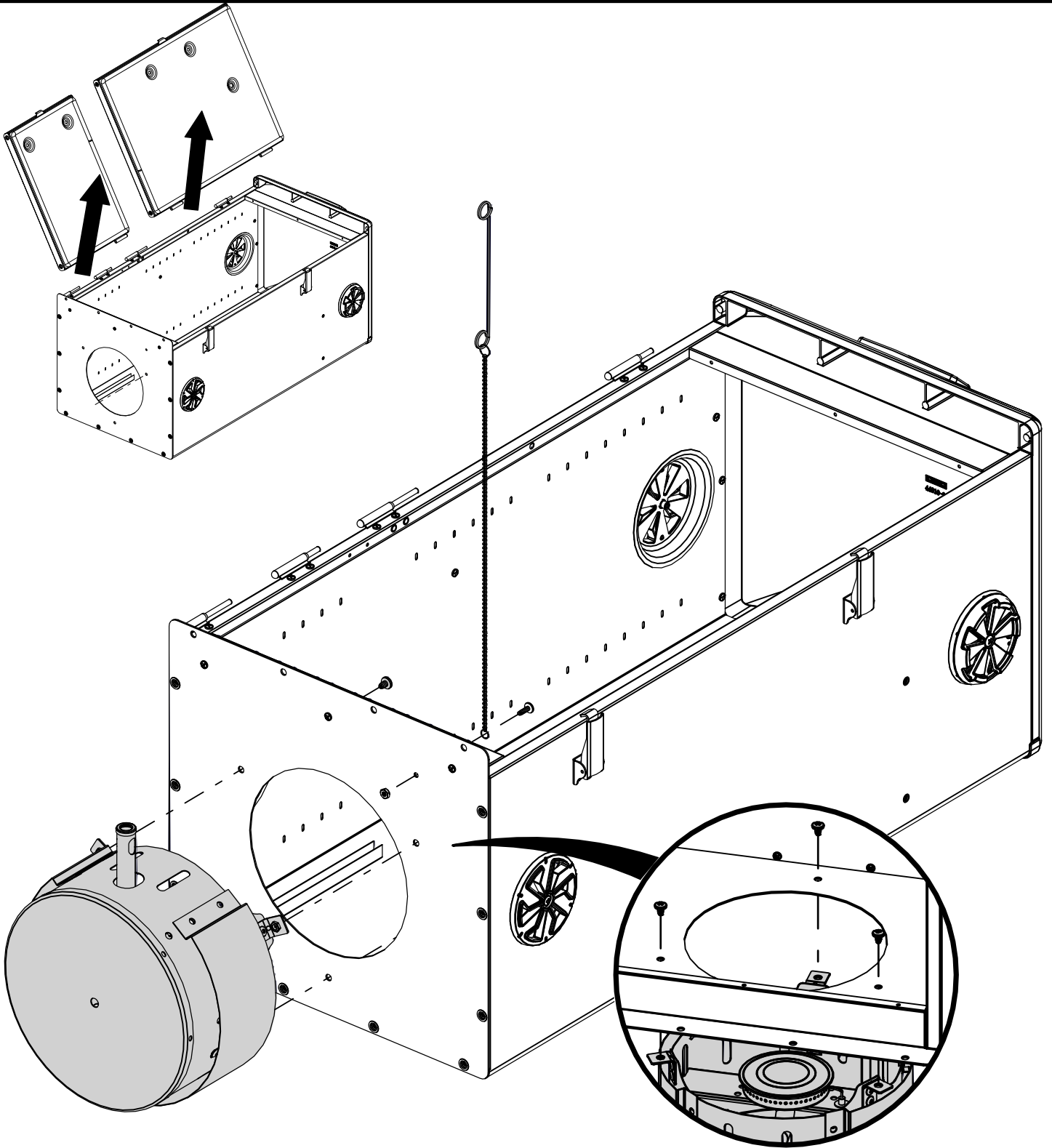


2



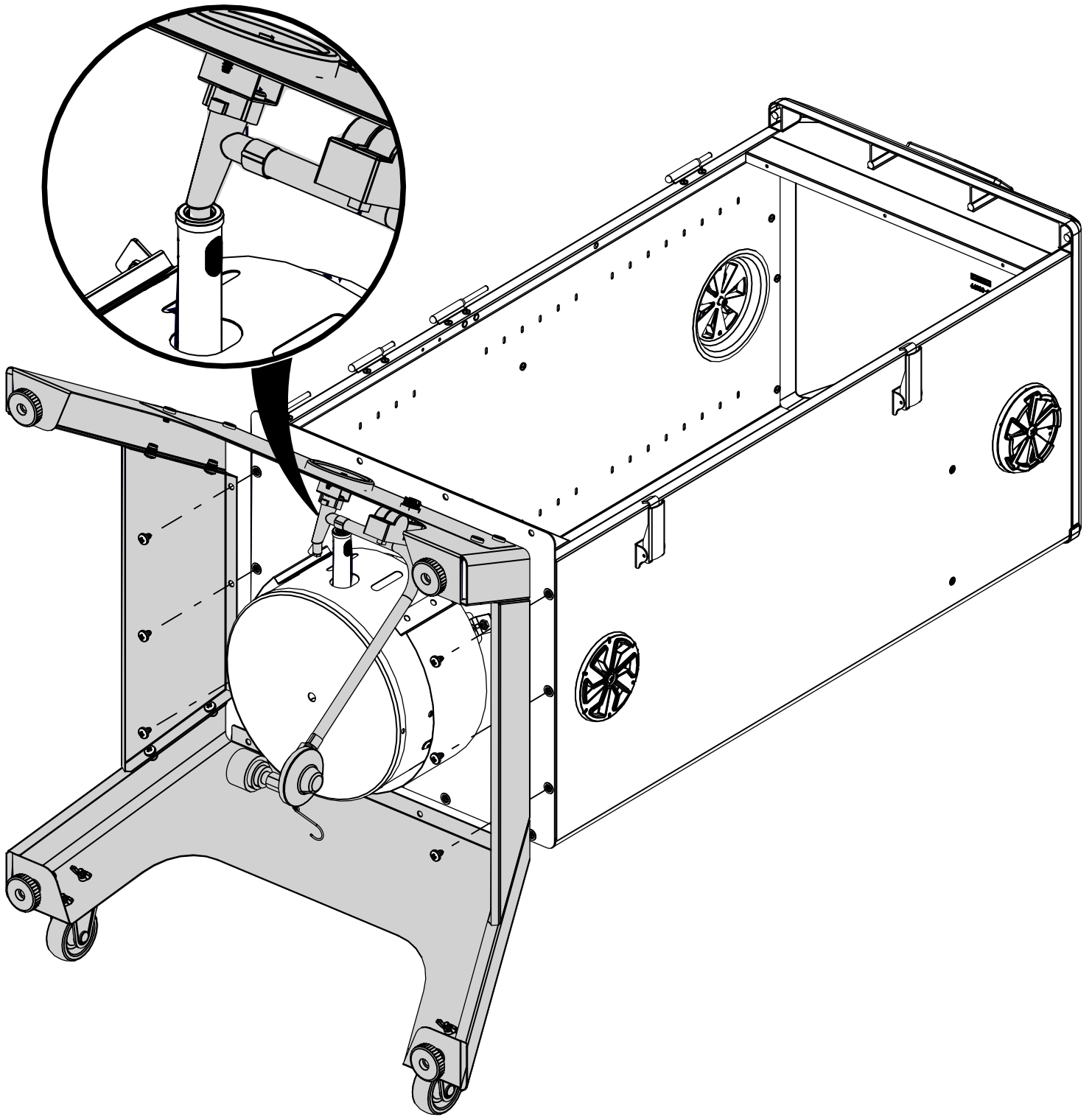
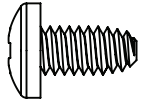
3

- (3)  (1)  (1)  (1) 

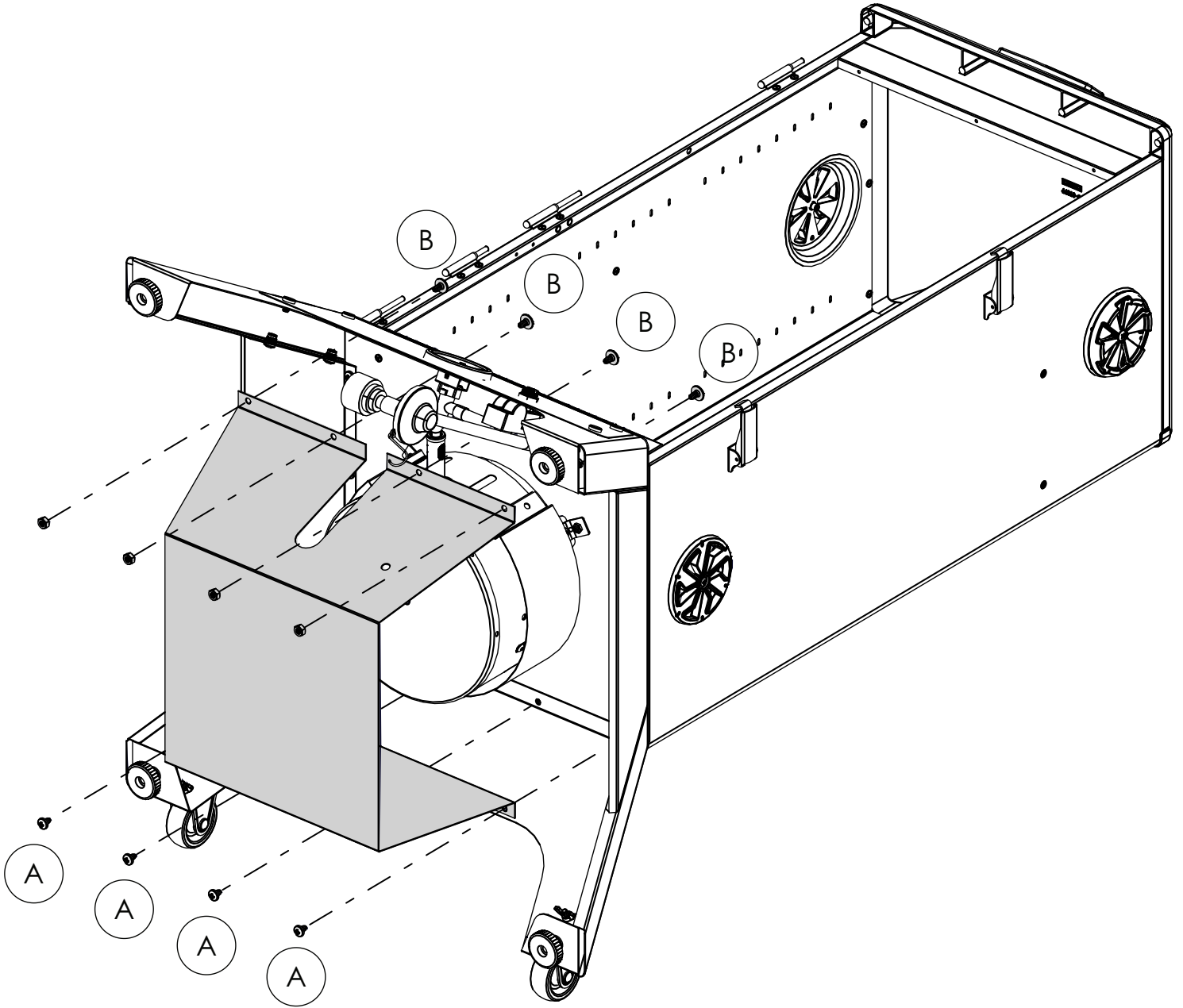
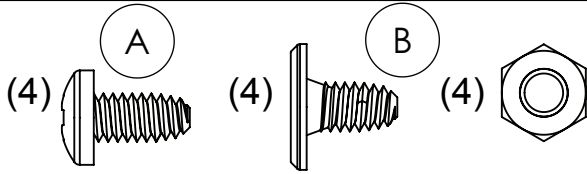


4

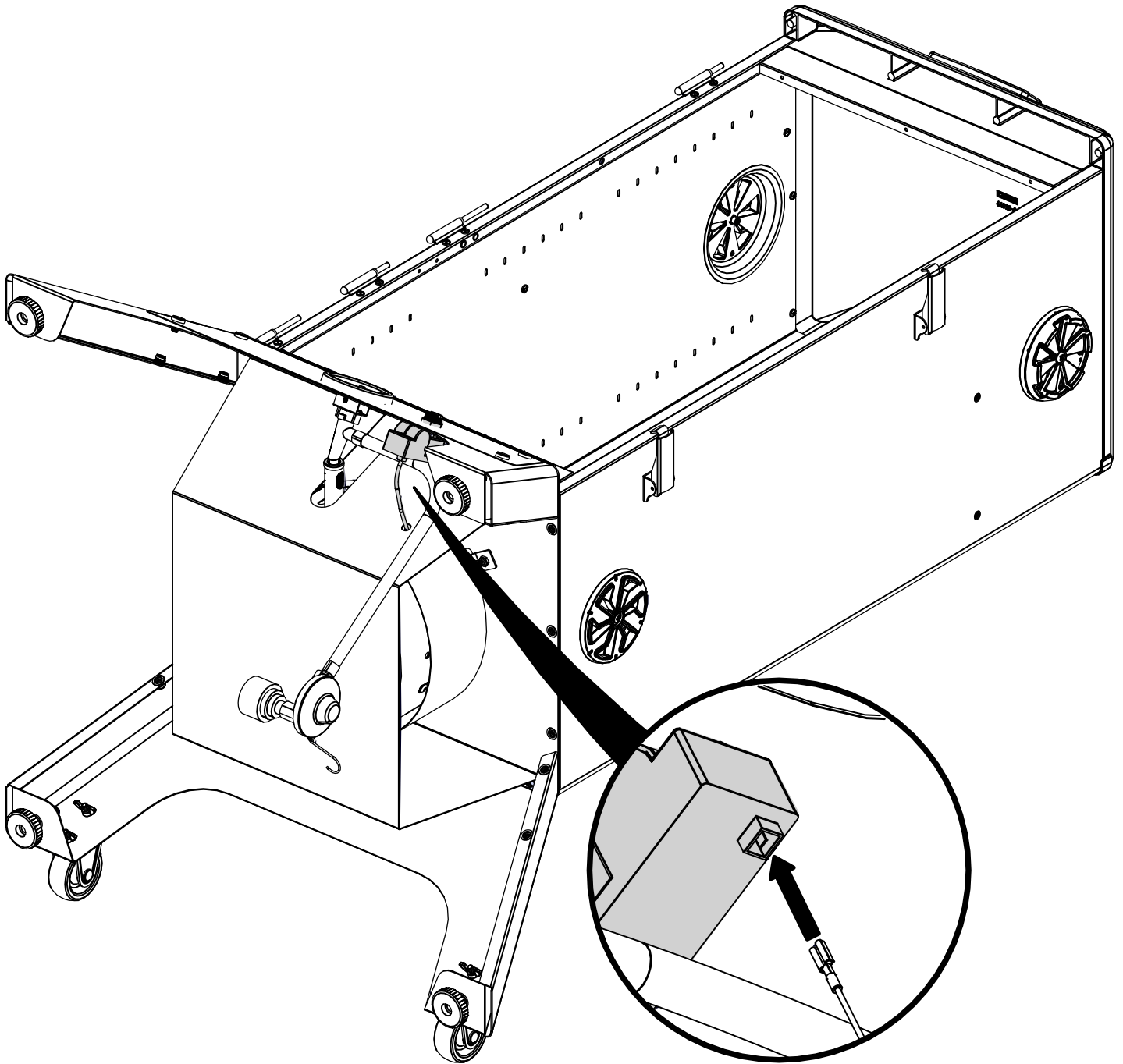
(6)



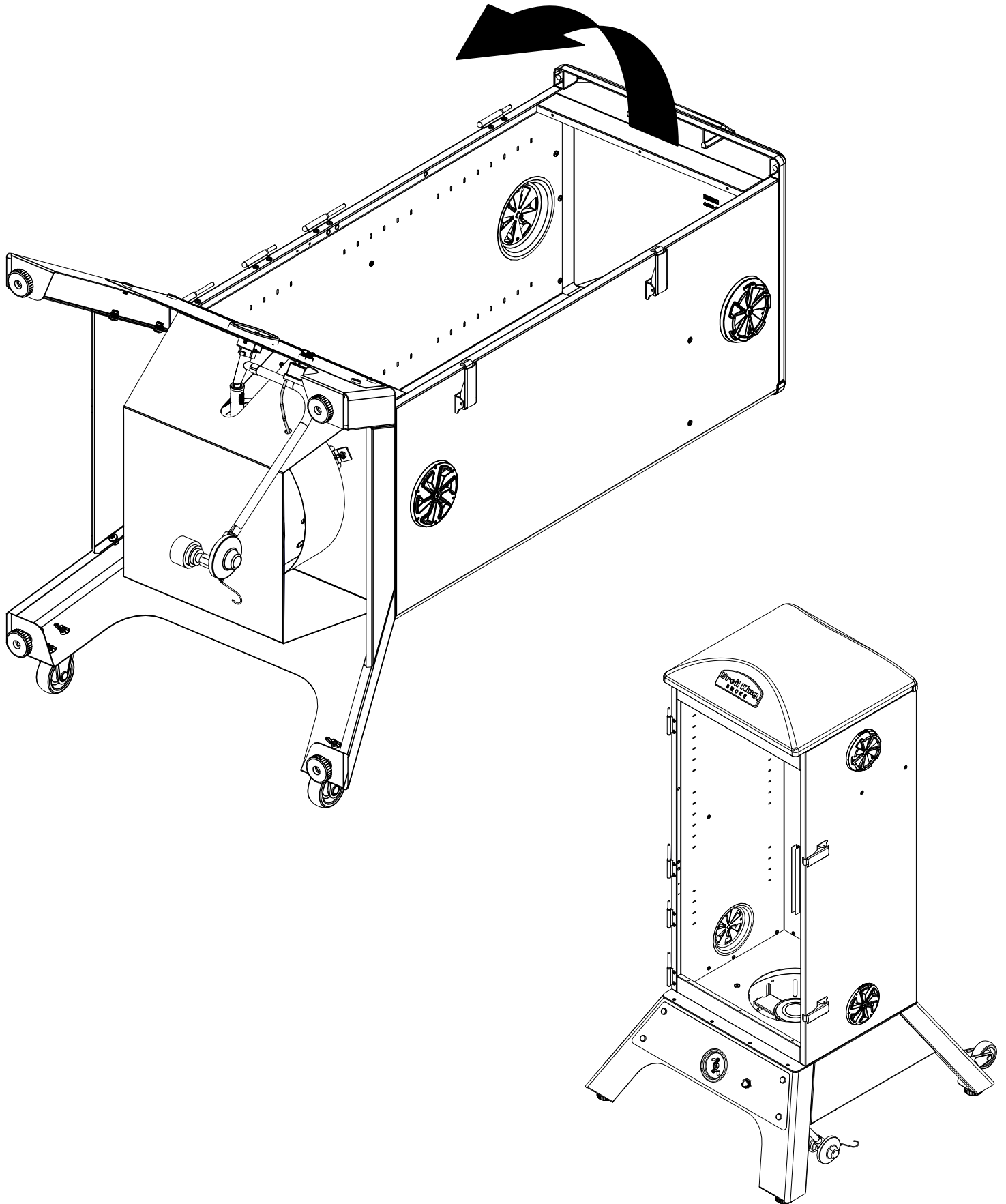
5



6



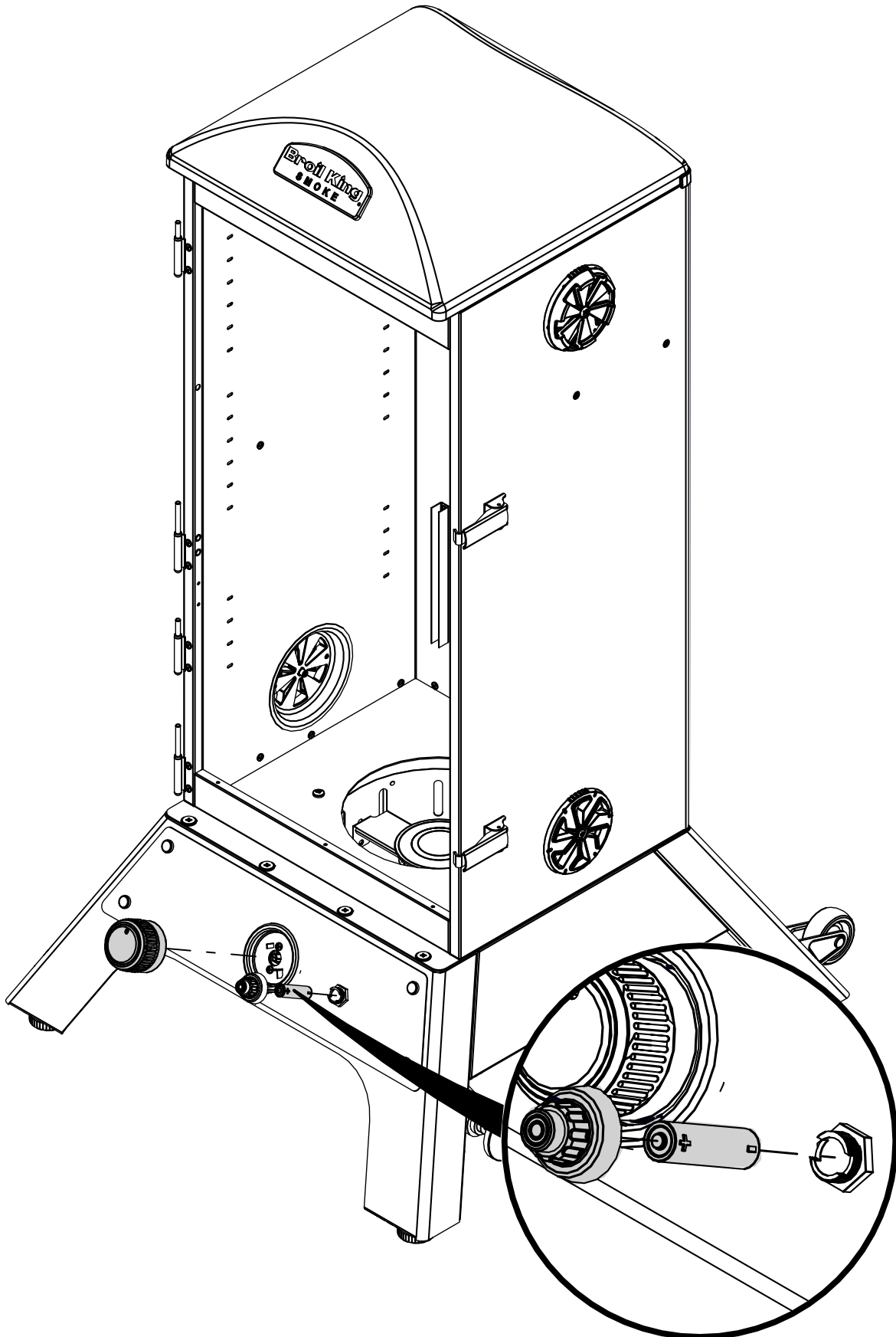
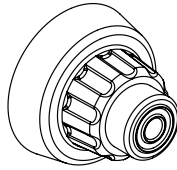
7



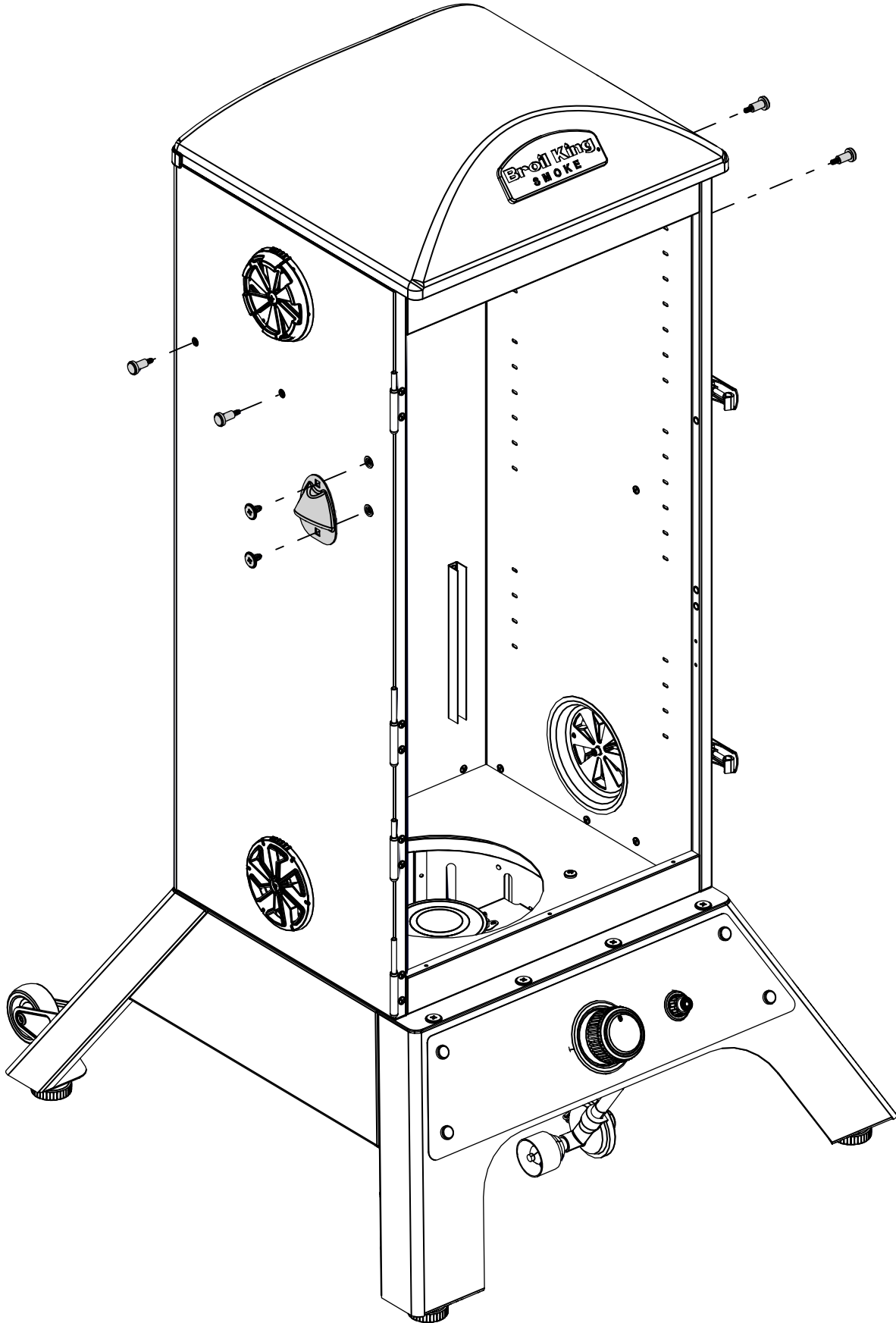
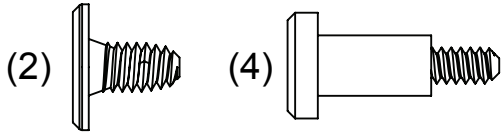
8

(1)  AAA 

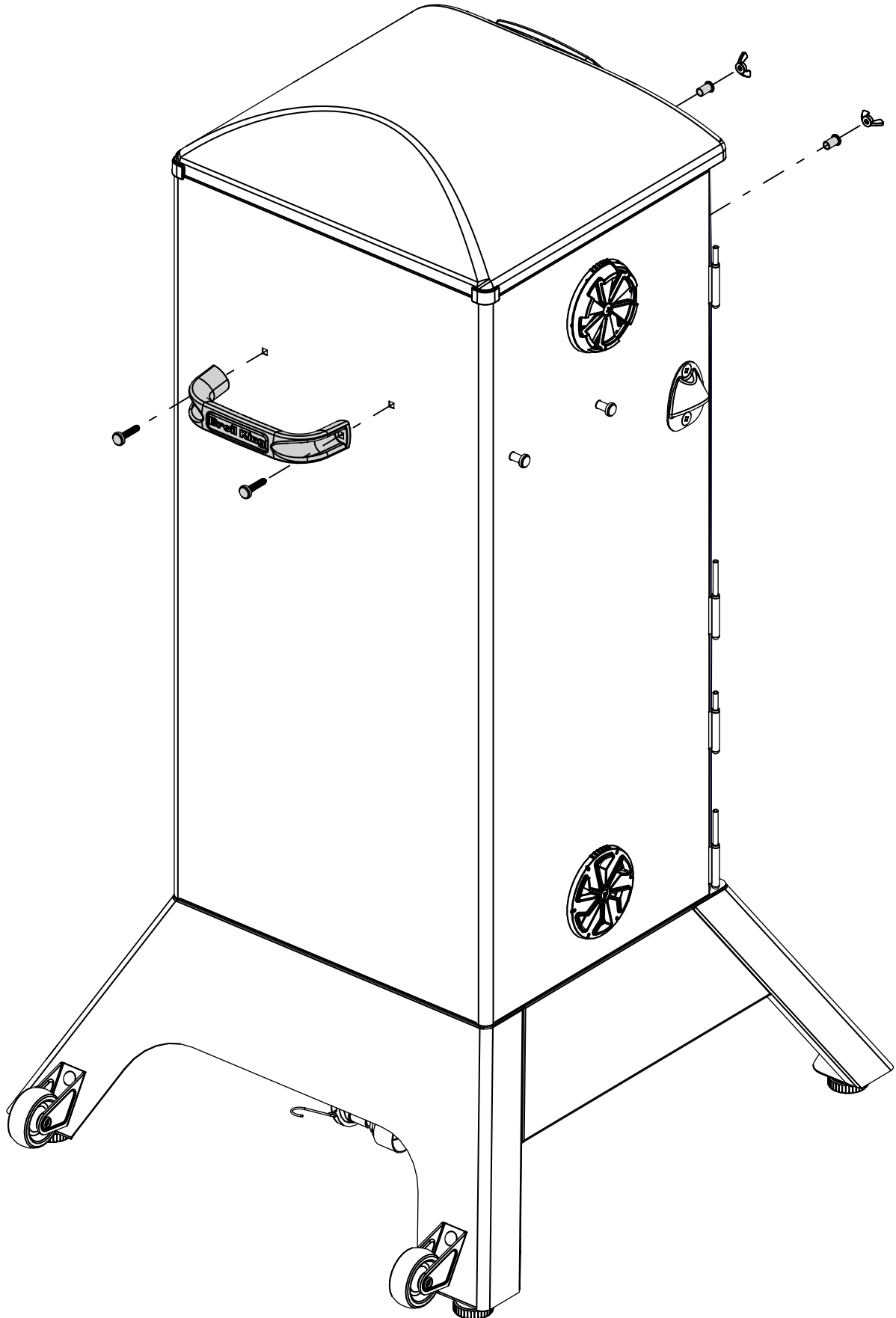
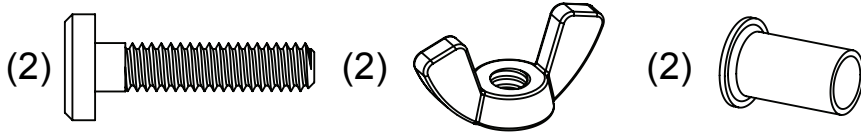
(1)



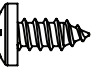
9

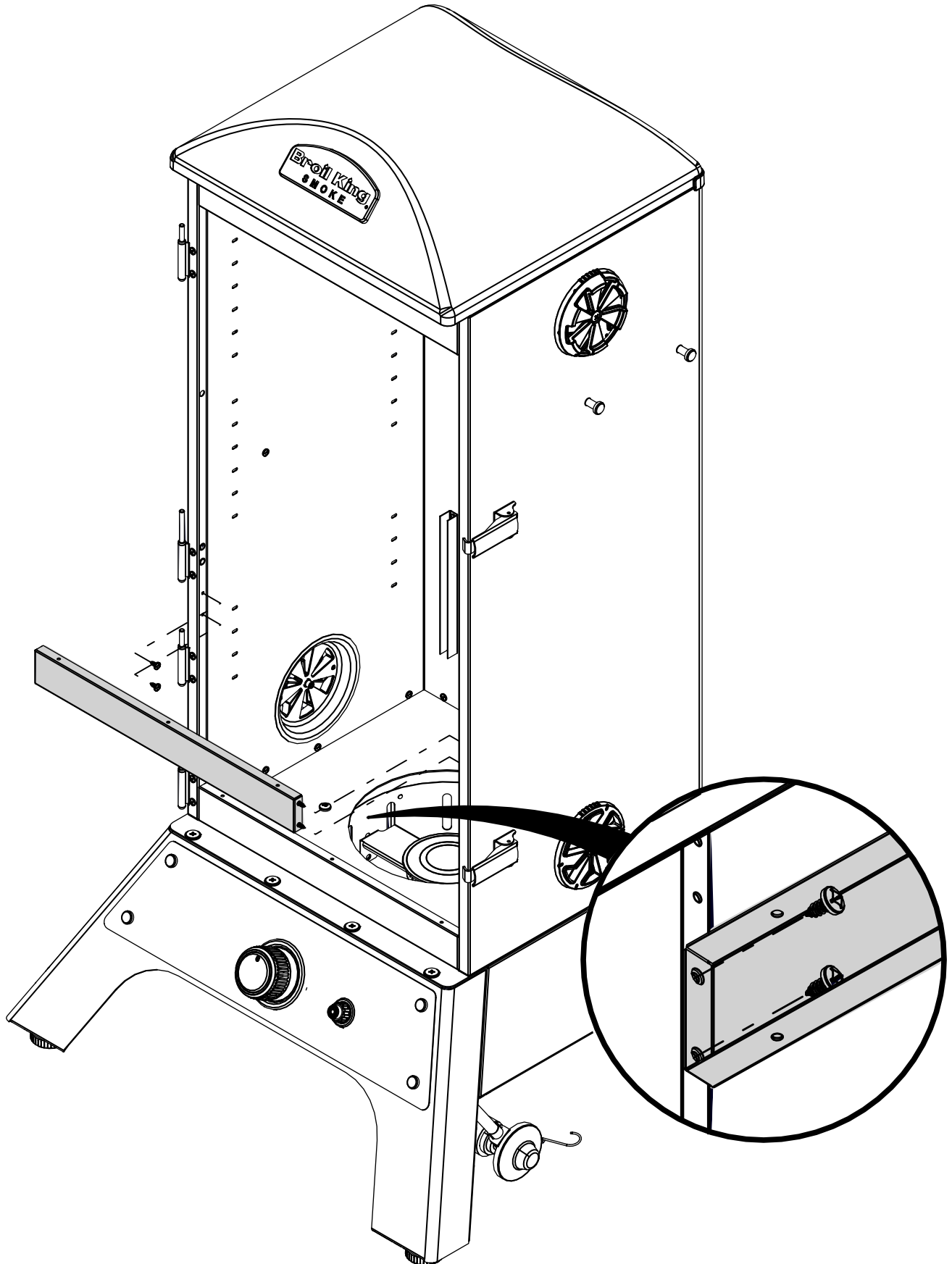


10



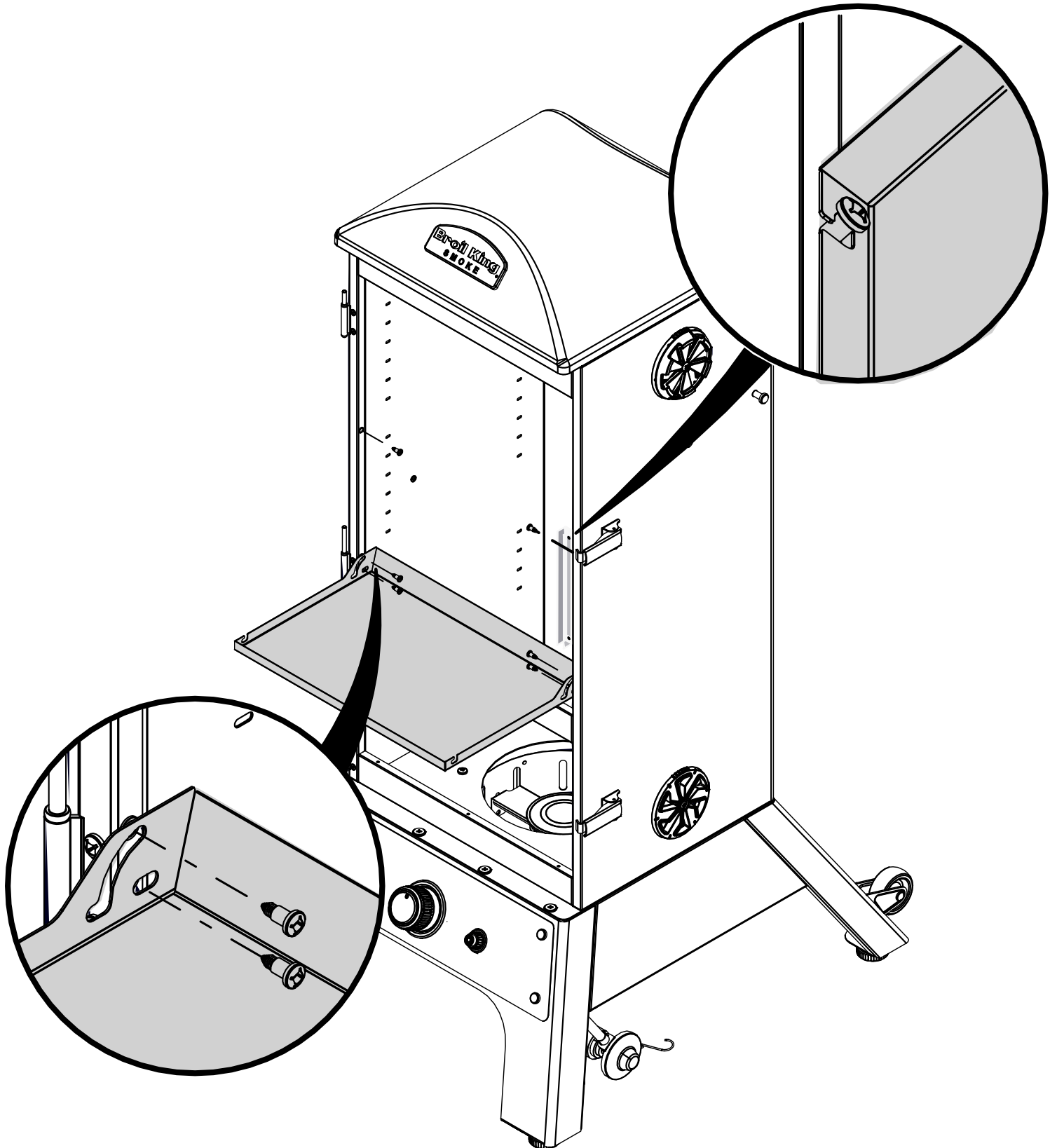
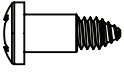
11

(4) 

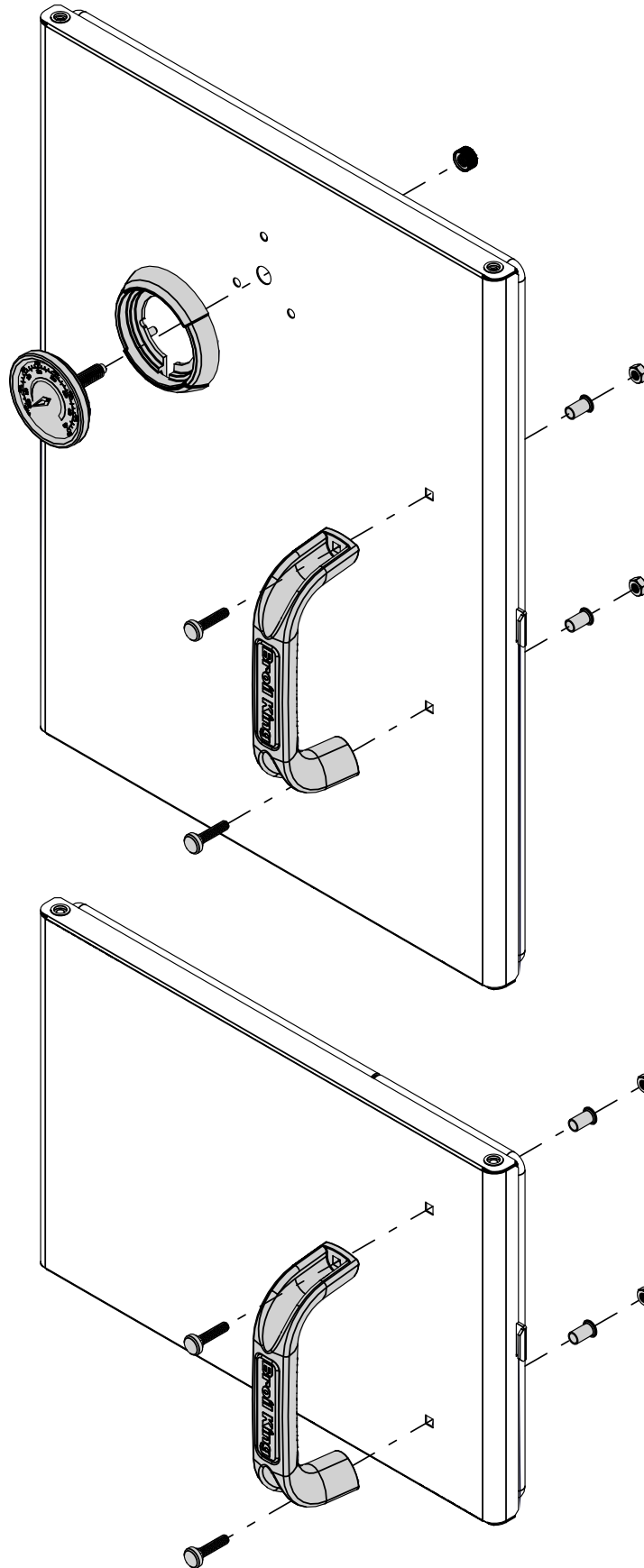
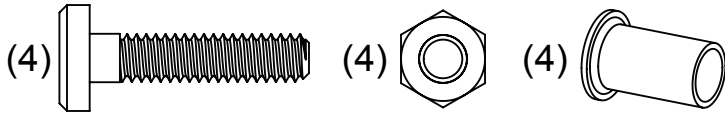


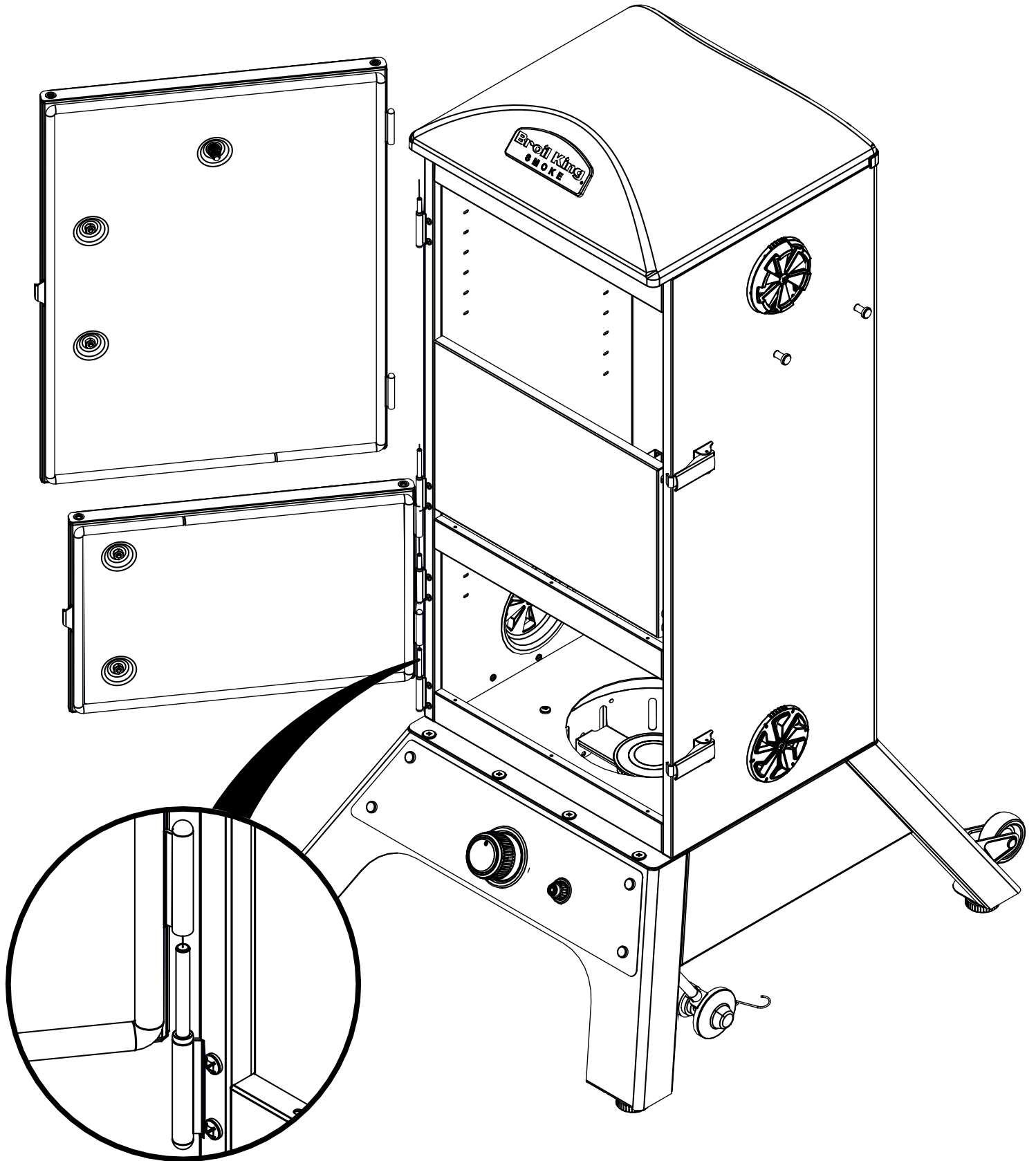
12

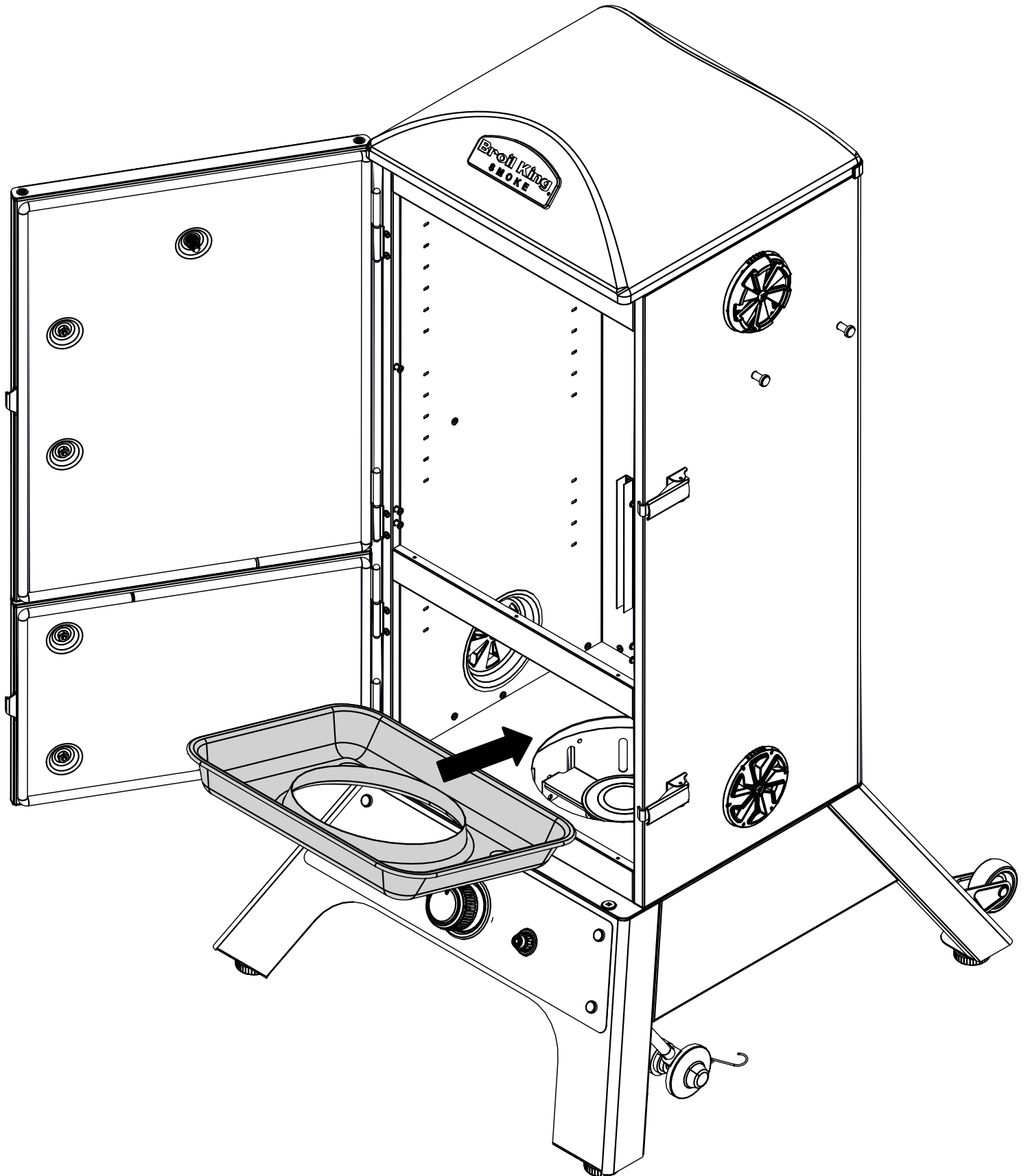
(6)

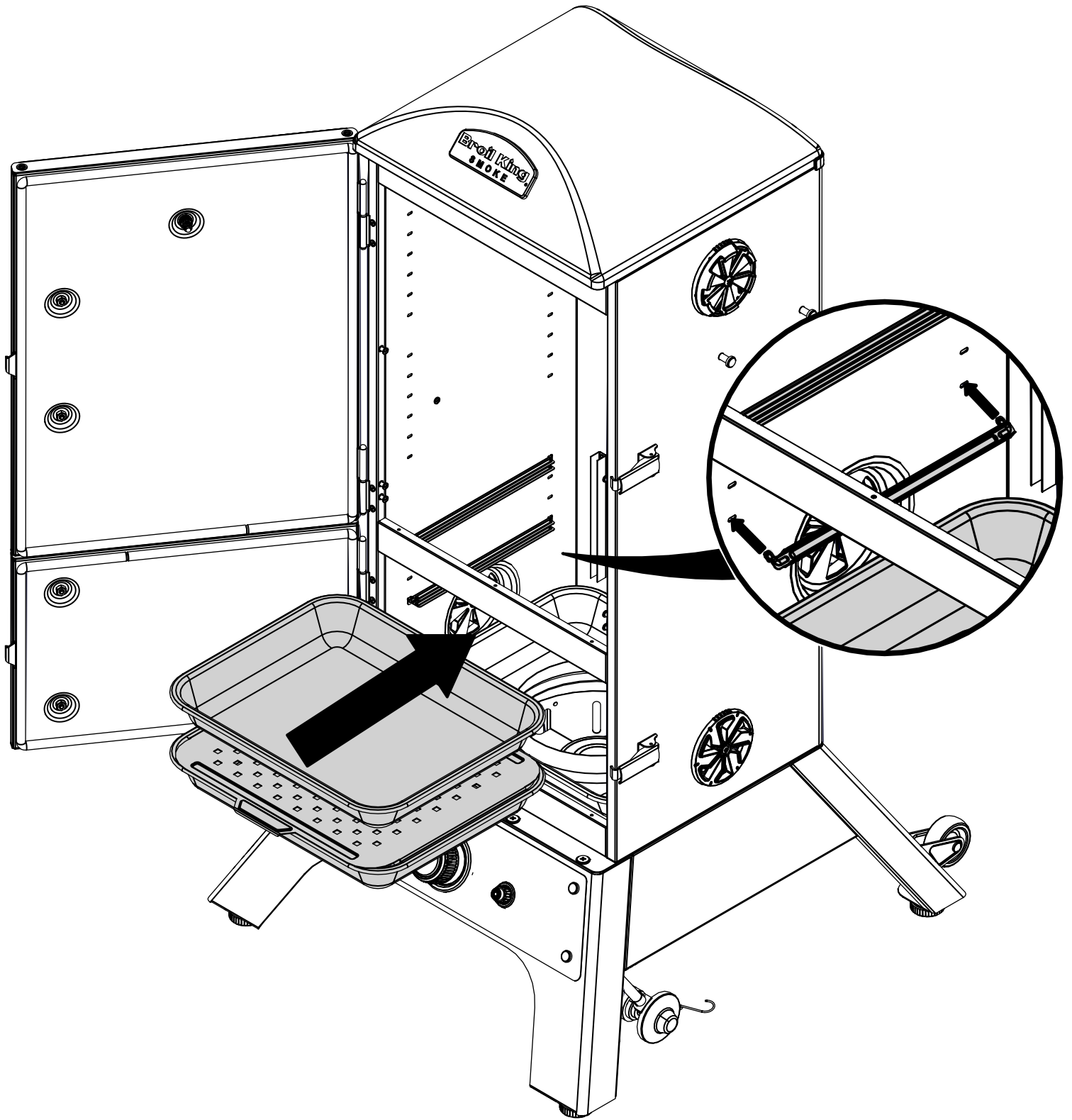


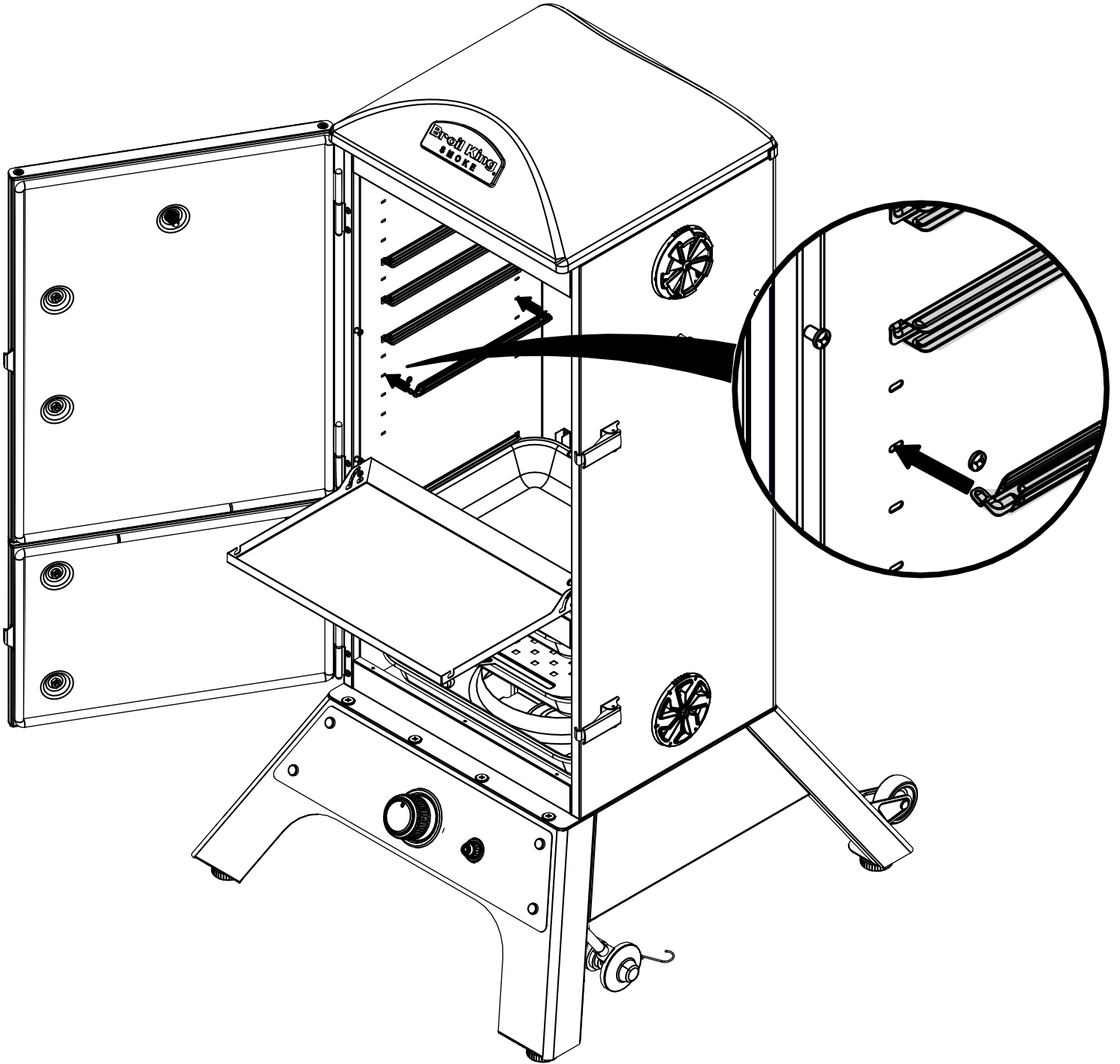
13

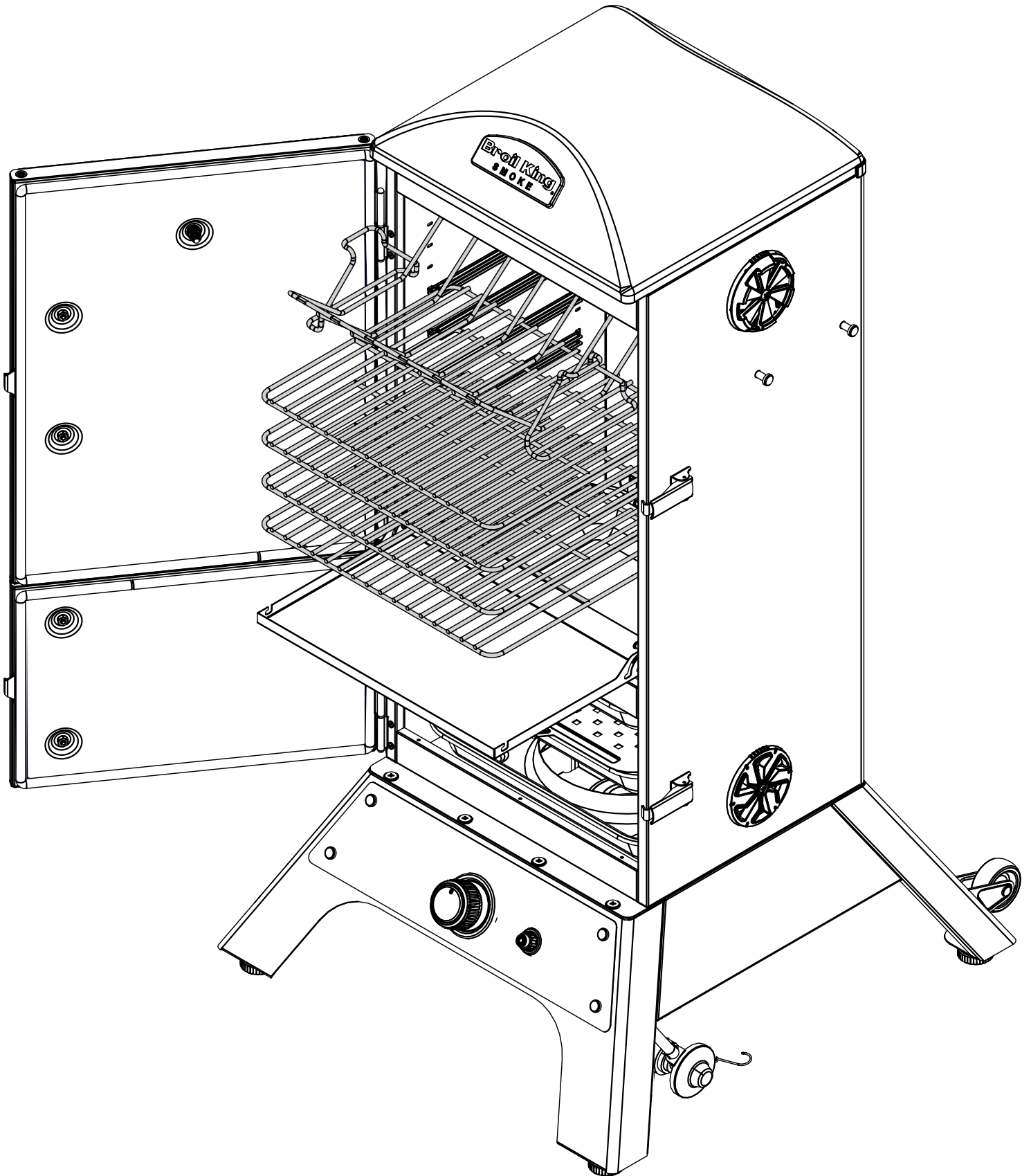


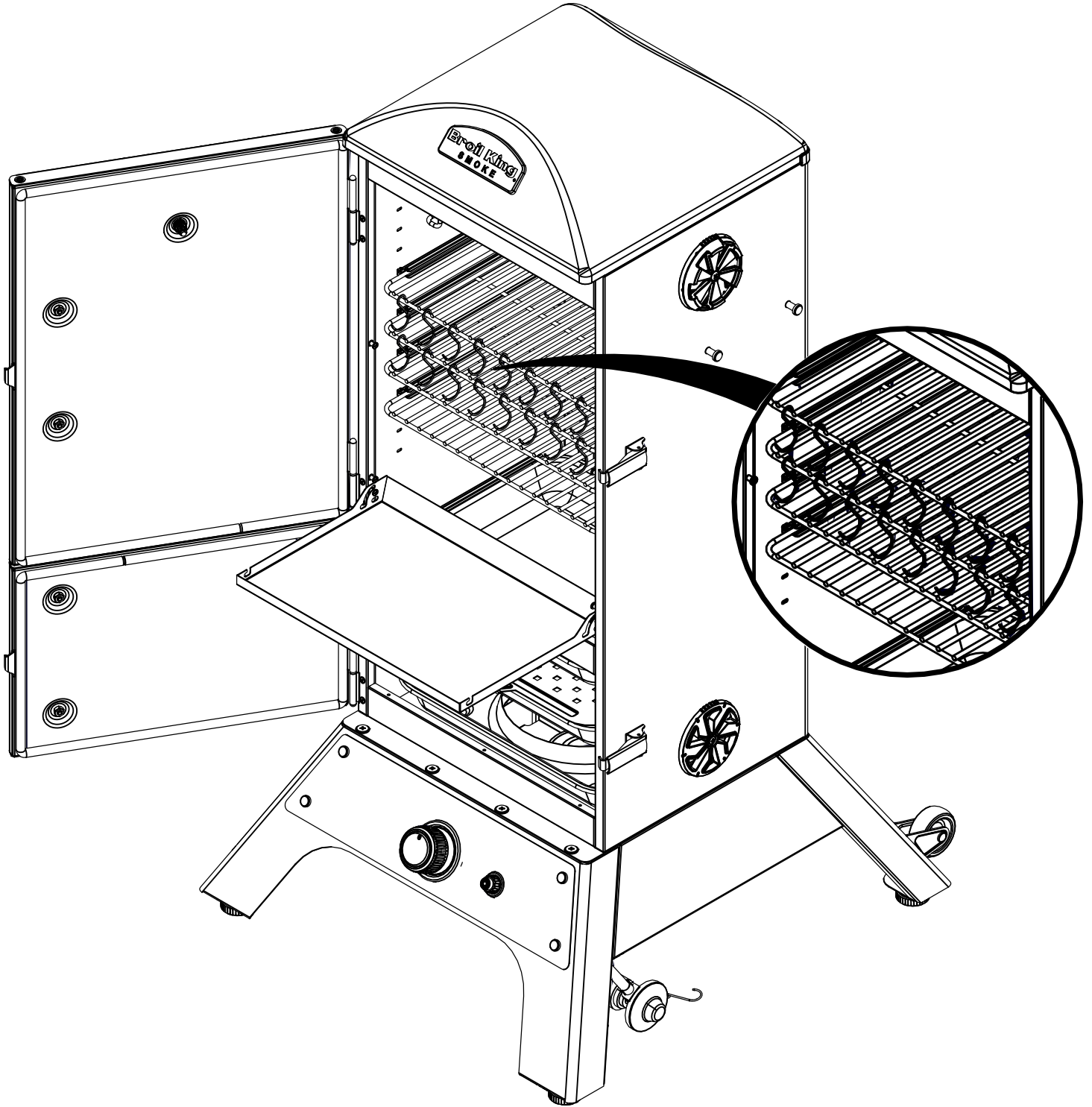












PARTS LIST / LISTE DES PIECES

<u>KEY #</u>	<u>ITEM #</u>	<u>DESCRIPTION</u>	<u>9236-12</u>	<u>9236-13</u>	<u>9236-13NZ</u>
1	44599-10BK	SMOKER NAMEPLATE	1	1	1
2	42000-003A	FIREBOX ASSEMBLY	1	1	1
3	44310-271	DAMPER BOTTOM-LP	4	4	4
4	44310-261	DAMPER TOP	2	2	2
5	42222-294	COOKING GRID -BROIL KING	4	4	4
6	42222-194	MULTI FUNCTION V-RACK	1	1	1
7	42252-204	WATER PAN / SMOKER TRAY	2	2	2
8	42252-304	SMOKER TRAY - COVER	1	1	1
9	42252-104	GREASE PAN-BOTTOM	1	1	1
10	SP235-6	BOTTLE OPENER	1	1	1
11	42251-114	GREASE TRAY-FOLD DOWN	1	1	1
12	41730-101	LEG BRACKET	2	2	2
13	2020009-2	BURNER ASSEMBLY	1	1	1
14	41730-121R	FRONT LEG	1	1	1
15	22001-768	CONTROL KNOB	1	1	1
16	22002-264	KNOB BEZEL	1	1	1
17	2150013A	VALVE ASSEMBLY	•	•	1
	49000-032	VALVE ASSEMBLY	1	•	•
	49000-033	VALVE ASSEMBLY	•	1	•
18	41730-131R	REAR LEG	1	1	1
19	41730-20A	WHEEL ASSEMBLY	2	2	2
20	43140-40A	DOOR LOCK ASSEMBLY	2	2	2
21	Y-12865	SCREW 1/4-20 X 1/2	21	21	21
22	10342-244	ELECTRIC IGNITOR	1	1	1
23	42370-002A	DOOR ASSEMBLY-TOP	1	1	1
24	44479-20	HEAT INDICATOR LARGE	1	1	1
25	44499-101	CAST BEZEL-THERMOMETER	1	1	1
26	42371-002A	DOOR ASSEMBLY-BOTTOM	1	1	1
27	44219-13A	HANDLE ASSEMBLY	3	3	3
28	2280018	MEAT HOOK	16	16	16
30	2220152-1	RACK BRACKET	14	14	14
31	63599-74	CARRIAGE BOLT	4	4	4
32	Y-11598	WING NUT 1/4-20	6	6	6
33	63599-72	CARRIAGE BOLT-DOOR HANDLE	6	6	6
34	S35094	SCREW #10-24 X 5/8	1	1	1
35	42259-10	SHOULDER SCREW	6	6	6
36	63599-70	VENT BOLT	2	2	2
37	63599-73	CARRIAGE BOLT-TOOL HOOK	4	4	4
38	S21125	SCREW #8-32 X 3/8	8	8	8
39	Y-12252	LEG LEVELER	4	4	4
40	40040-00	HEAT SHIELD	1	1	1
41	S21124	SCREW #8-32 X 1/2	2	2	2
42	S21141	CARRIAGE BOLT 1/4-20 X 5/8	4	4	4
43	42230-21	BRACE	1	1	1
44	Y-11793	NUT 1/4-20	12	12	12
45	41320-054	CONTROL COVER	1	1	1
46	63599-75	SPACER	6	6	6
47	C12507	MATCH STICK	1	1	1
48	Y-29307	NUT #10-24	1	1	1
49	10342-T06	ELECTRODE WIRE	1	1	1
50	42211-40A	DOOR SEAL - TOP	1	1	1
51	42211-50A	DOOR SEAL - BOTTOM	1	1	1
52	S21251	WASHER	2	2	2
53	535091	SCREW 1/4-20 X 12mm	6	6	6

