

Broil King®



9812-63



9812-53

Onward
MANUFACTURING COMPANY

SINCE 1906

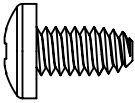
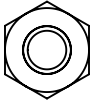
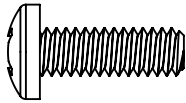
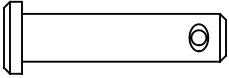
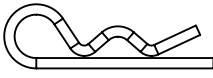
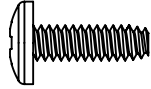
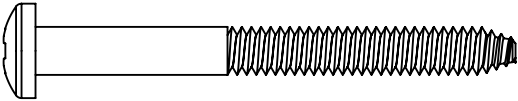
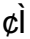


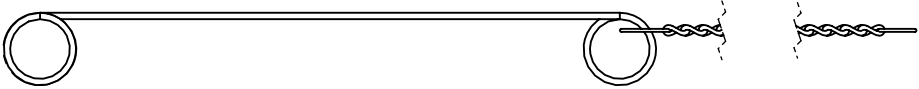
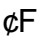
1000 EAST MARKET STREET
HUNTINGTON, INDIANA, 46750, USA

50084-C32EU Rev E 05/17



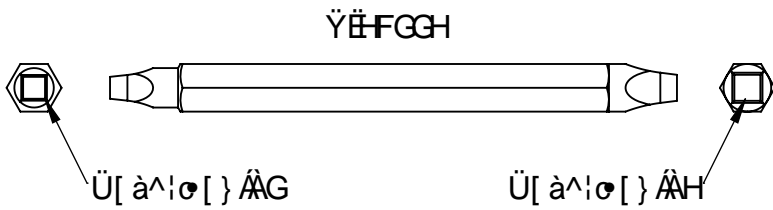
POËÜÖY OEÜÒÁÐ ÔŠWÖÖÖÁ



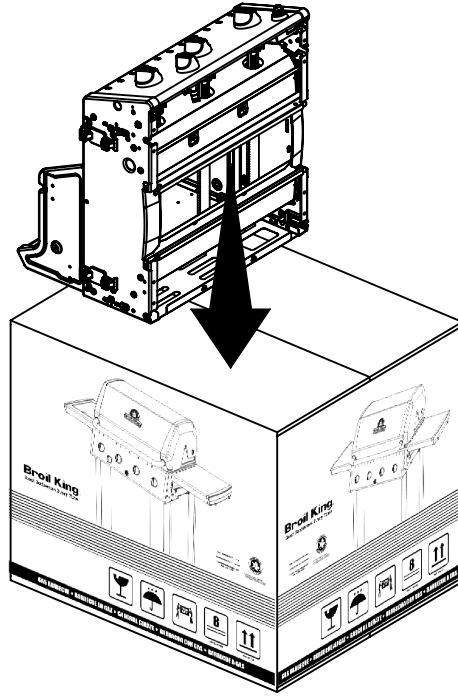
YËG ÎÍ 	YËFĪ JH 	YËGF€ 	
ÛFGHÍ 	ÛFGHH 	ÛHÍ €JI 	
YËFĪ ÎG 			
FEG €FH 			
GEEÉÍ EEEÉ			



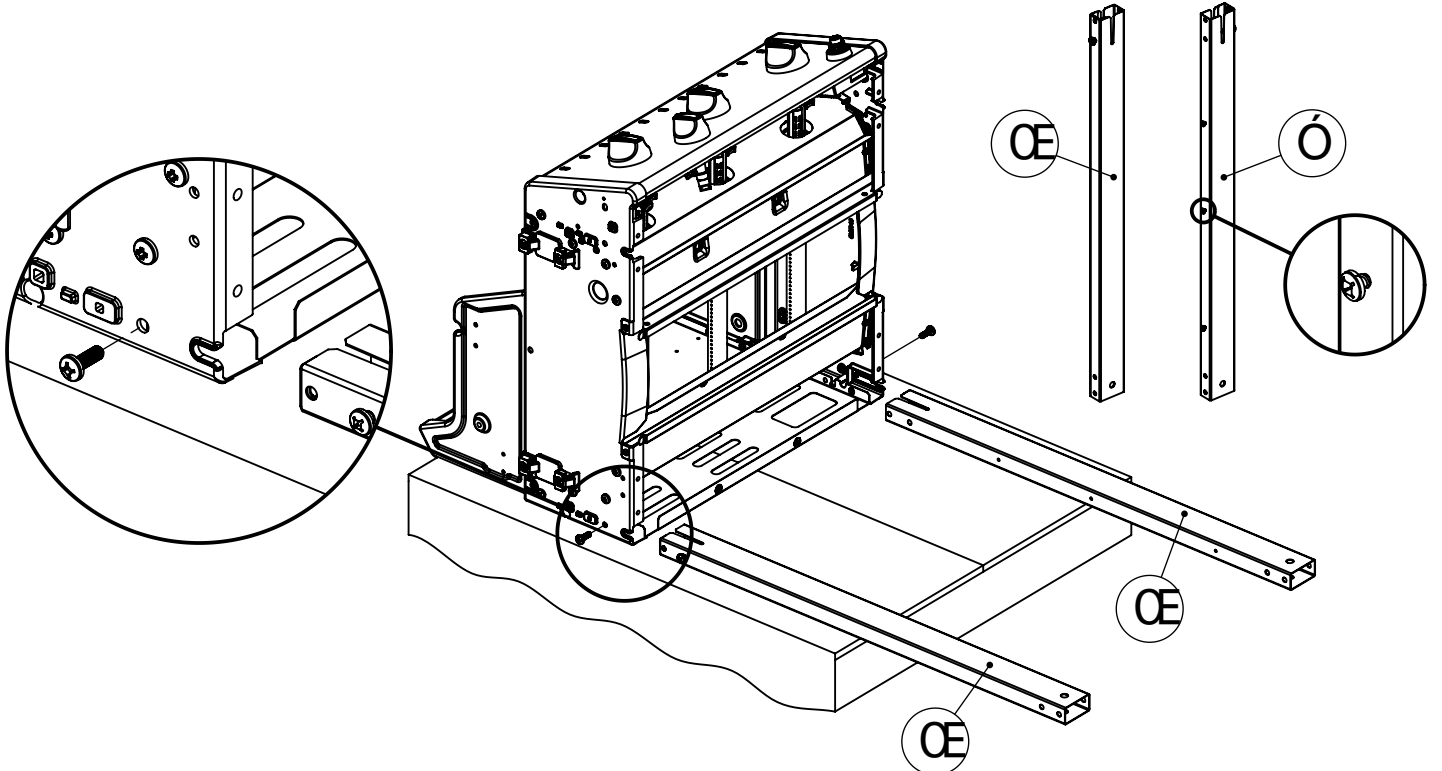
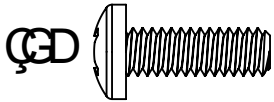
VUUŠÛÄÜÒÛWÖÖÖ

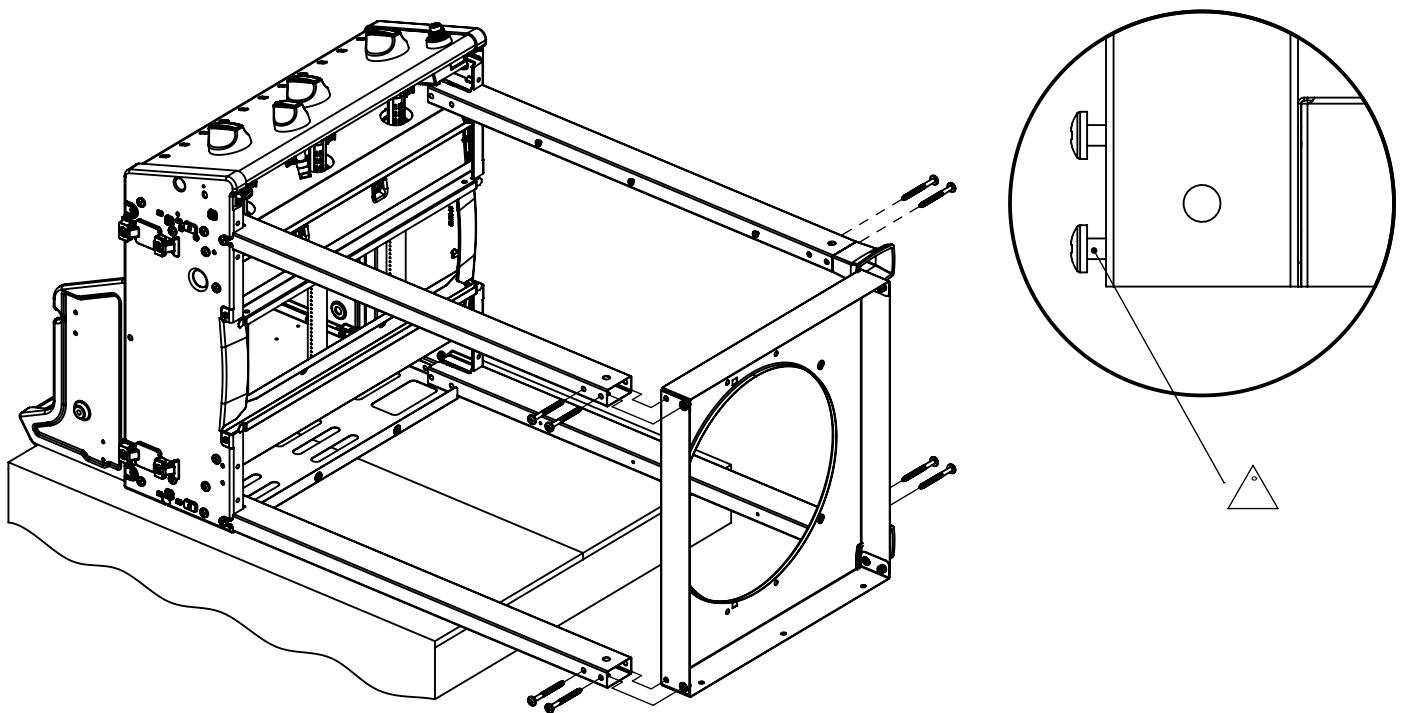
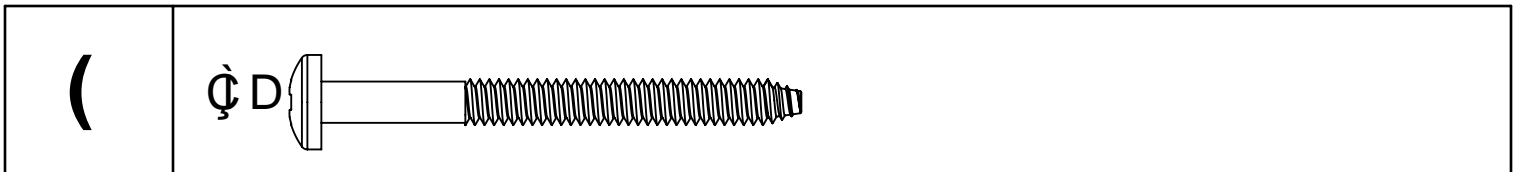
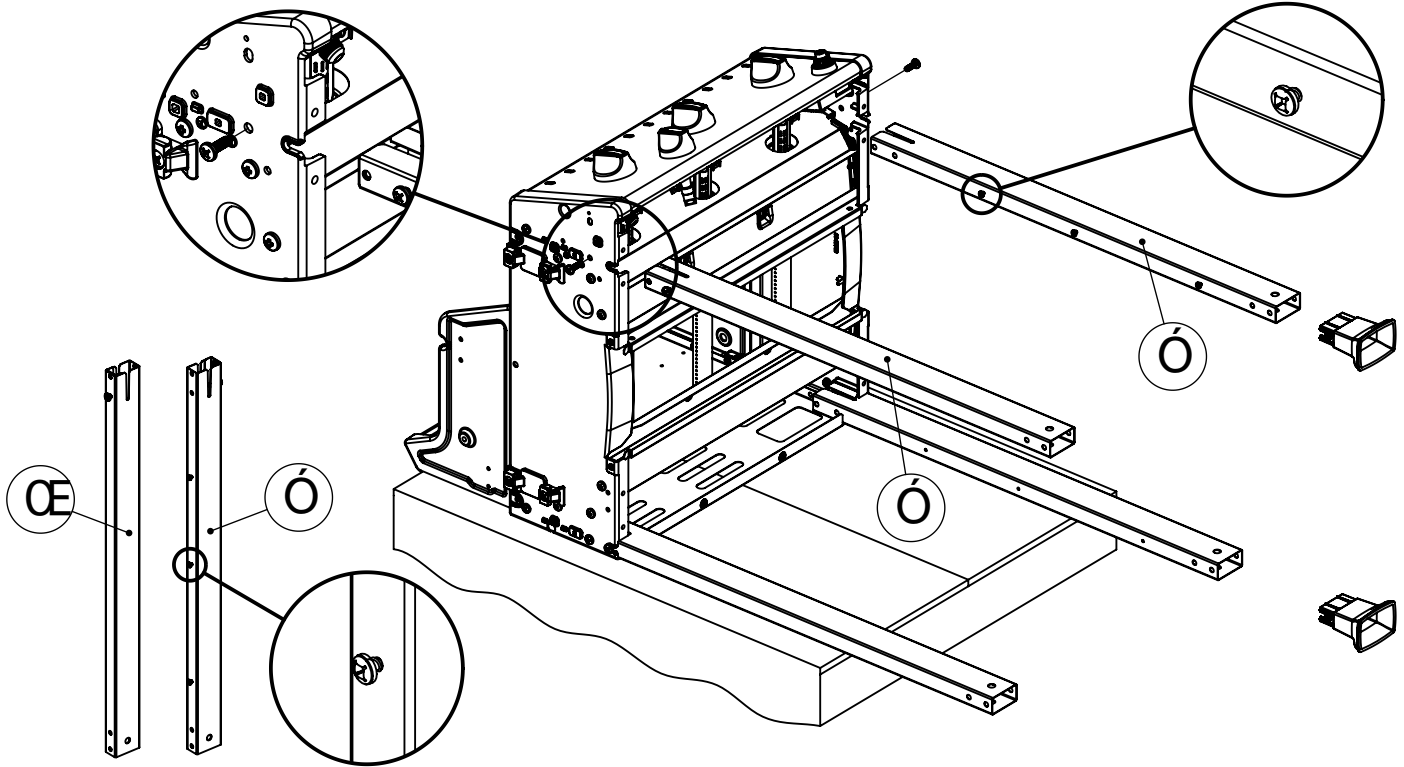
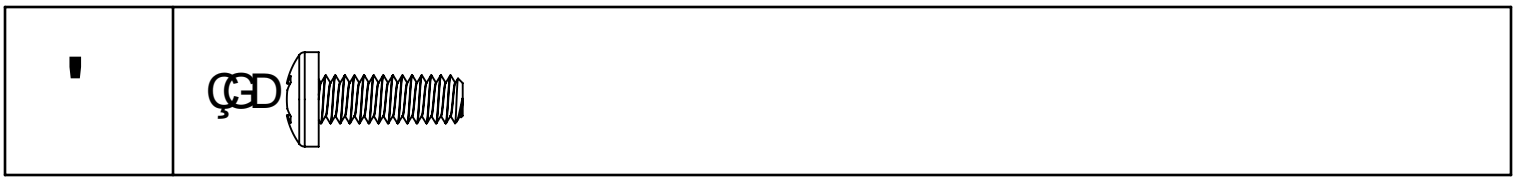


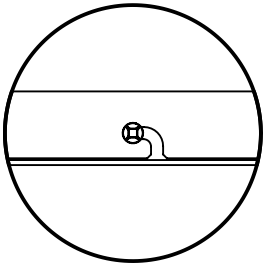
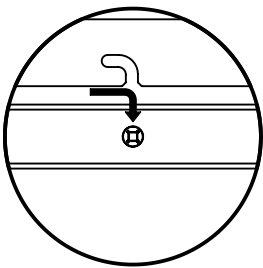
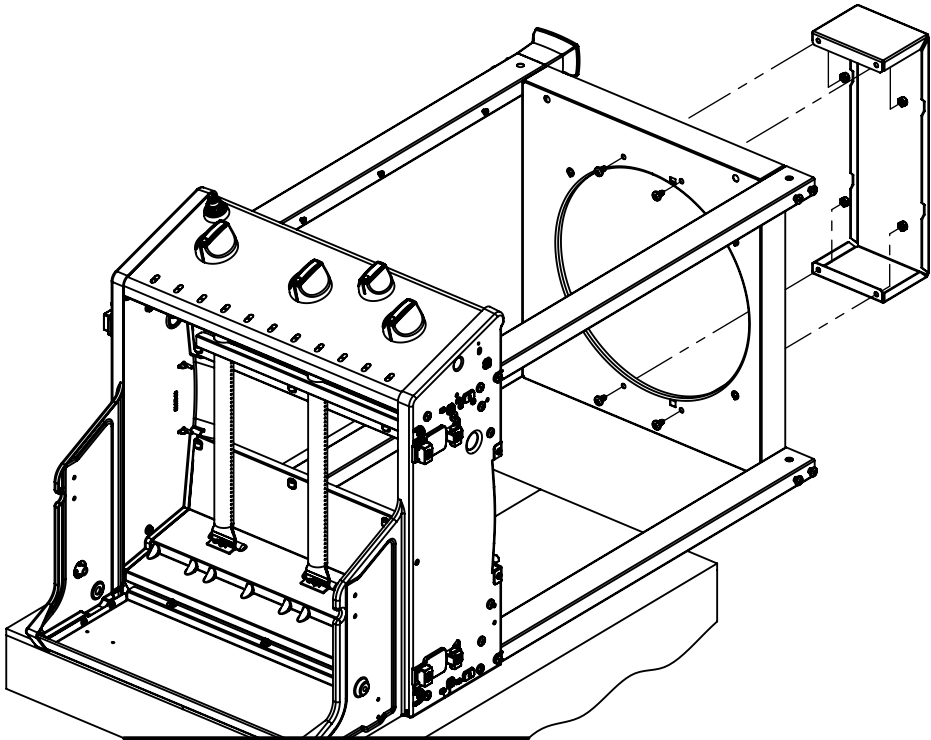
%



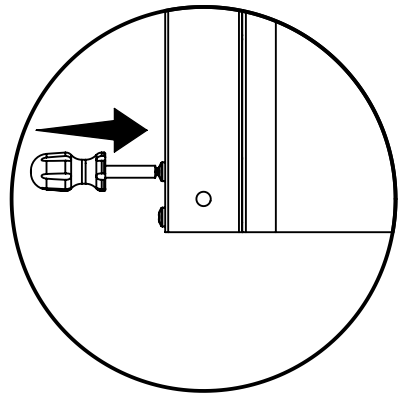
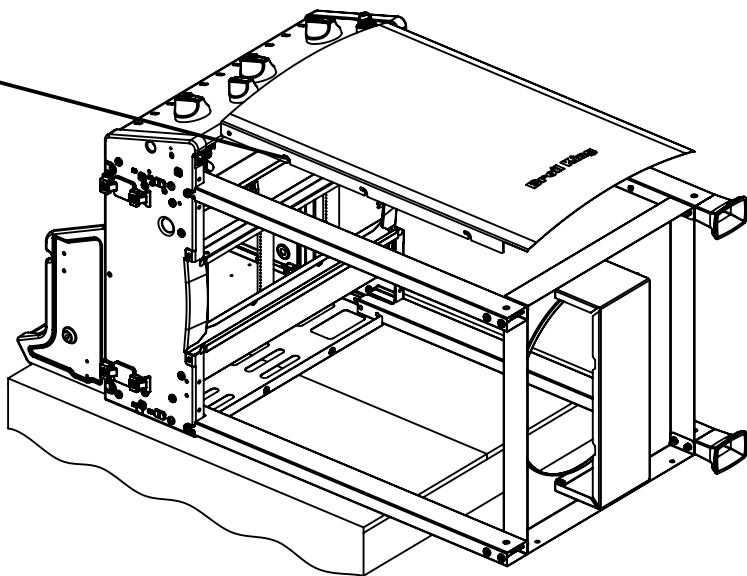
&



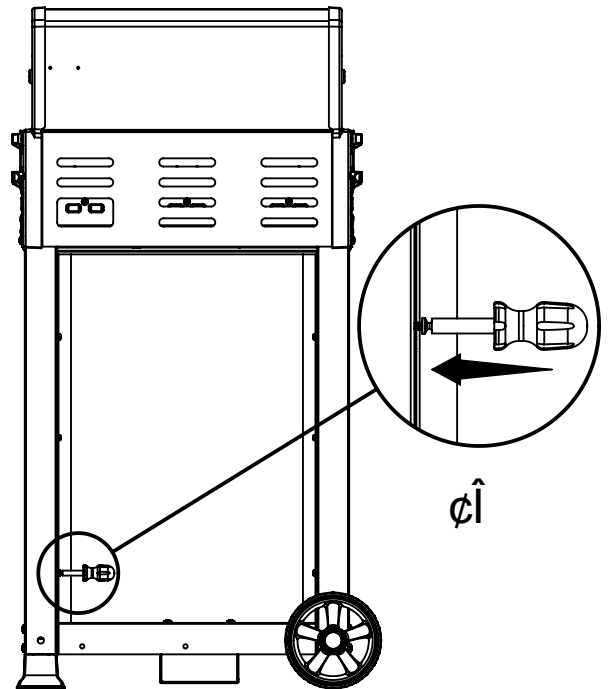
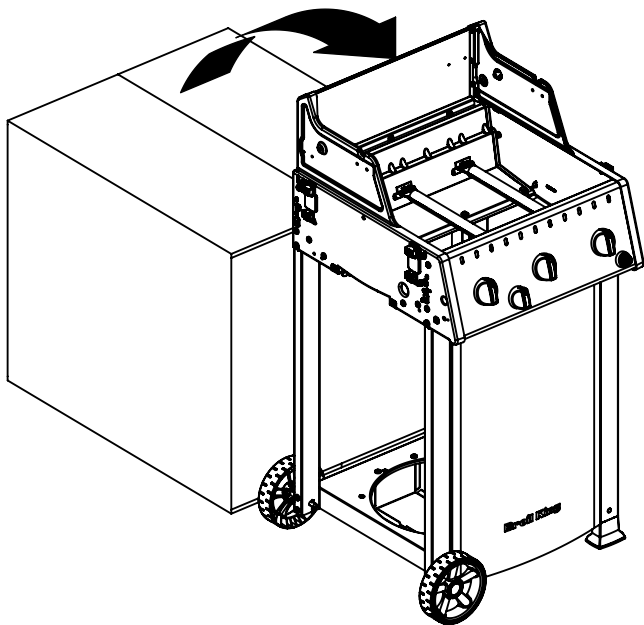
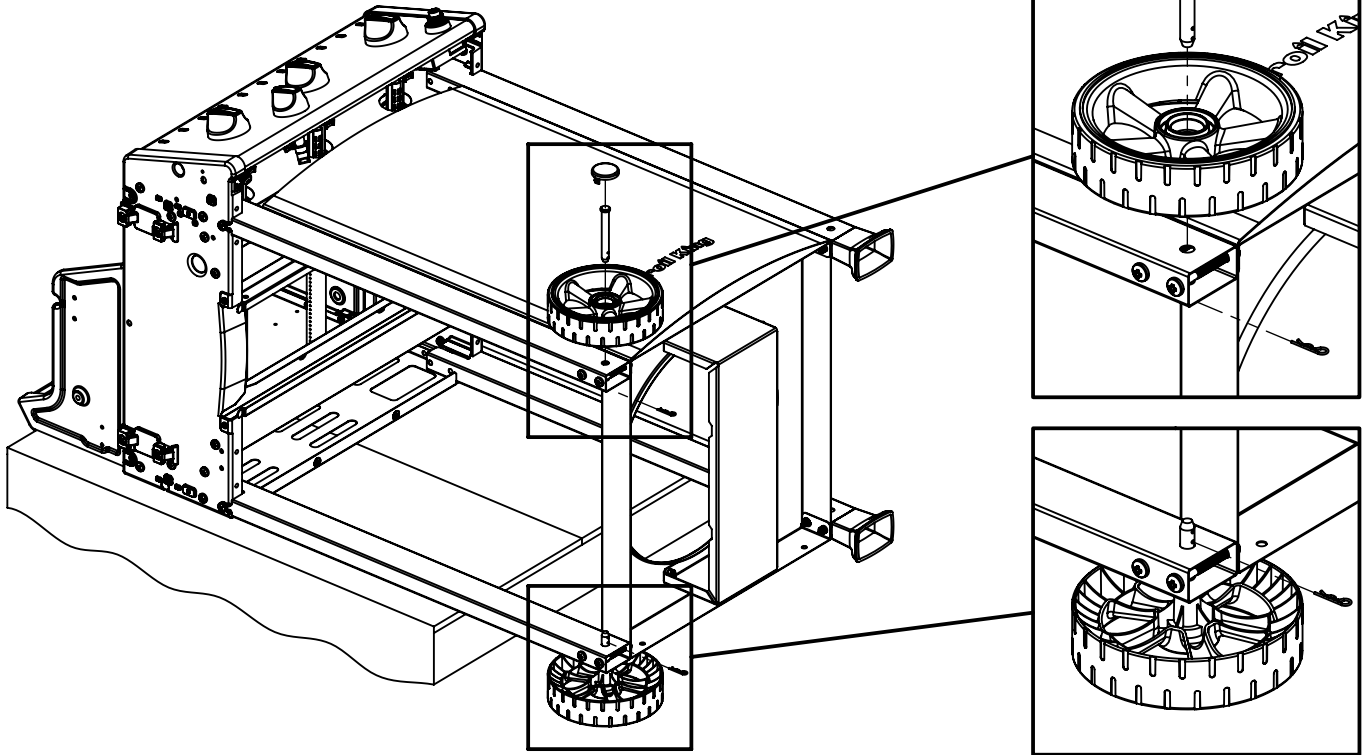
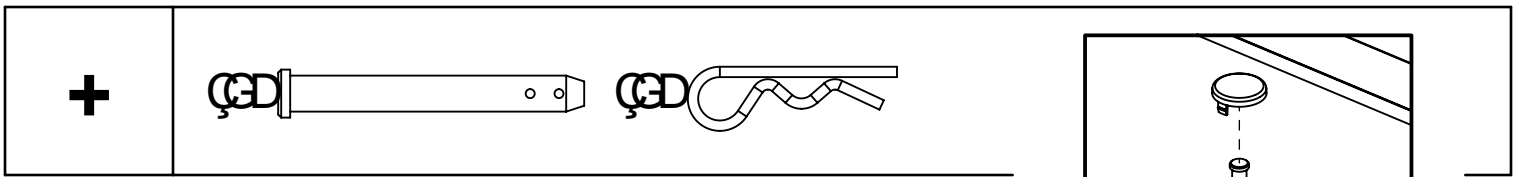




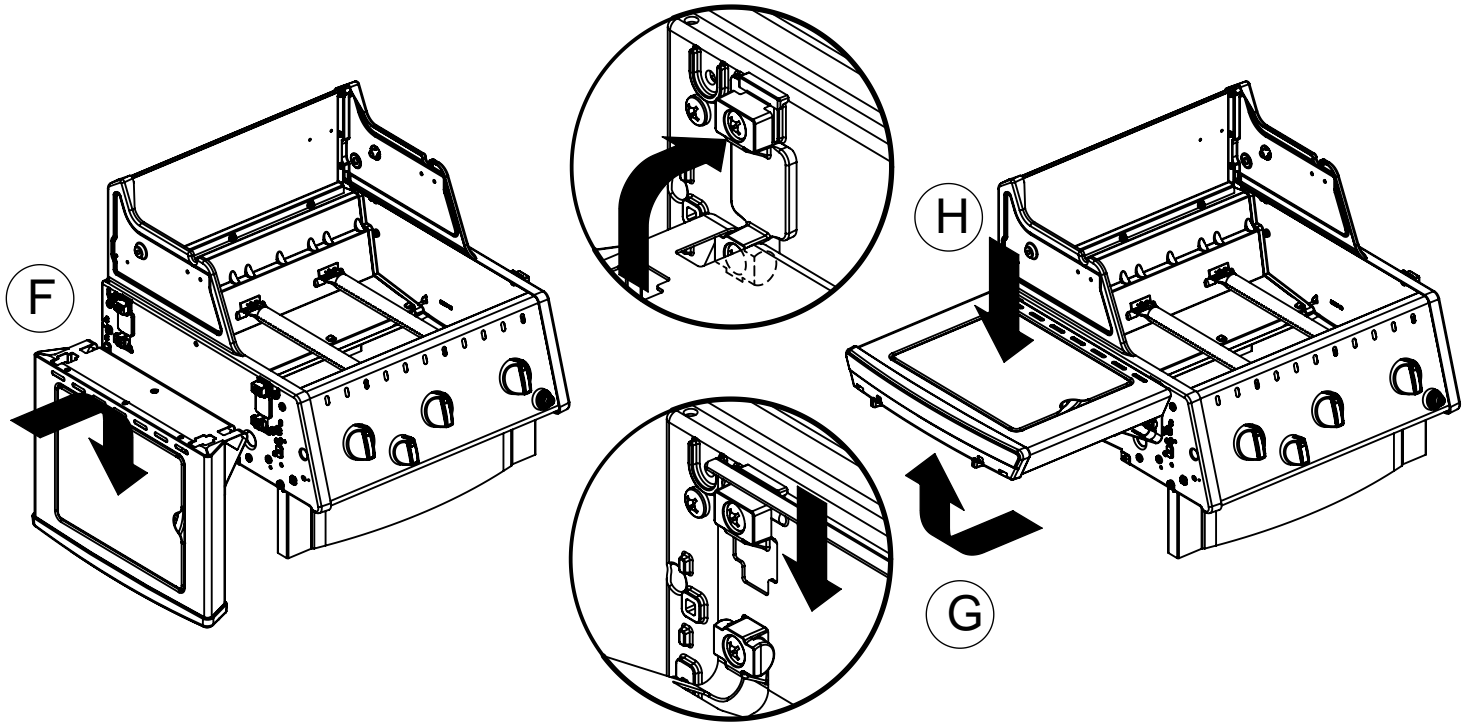
$\hat{\epsilon}i$



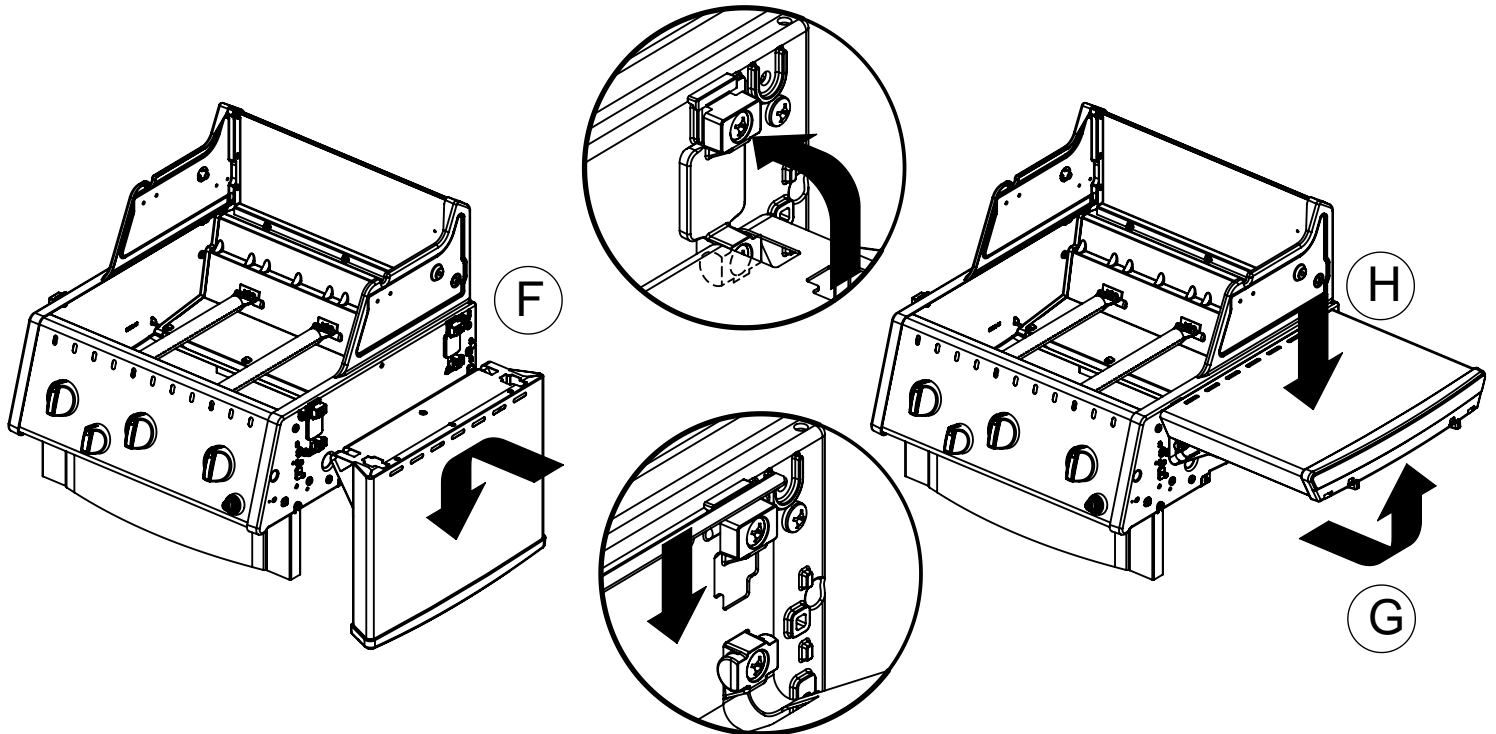
ϵi

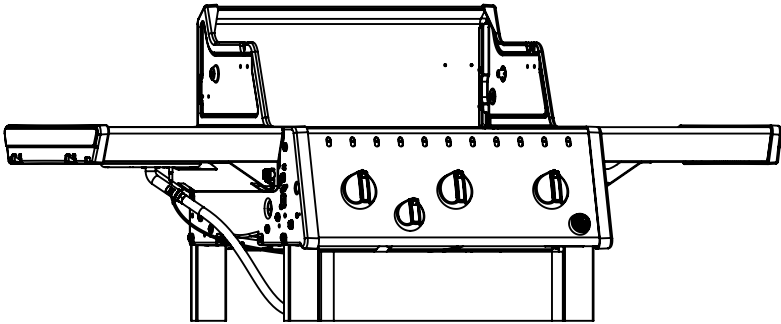
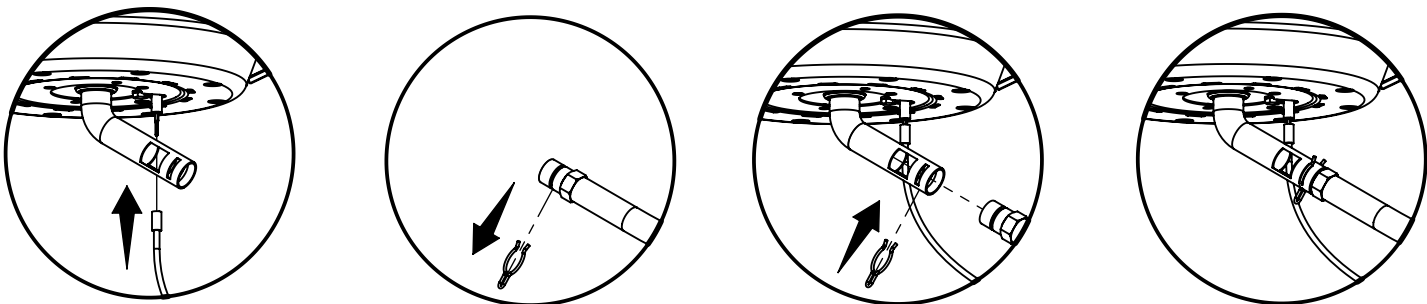
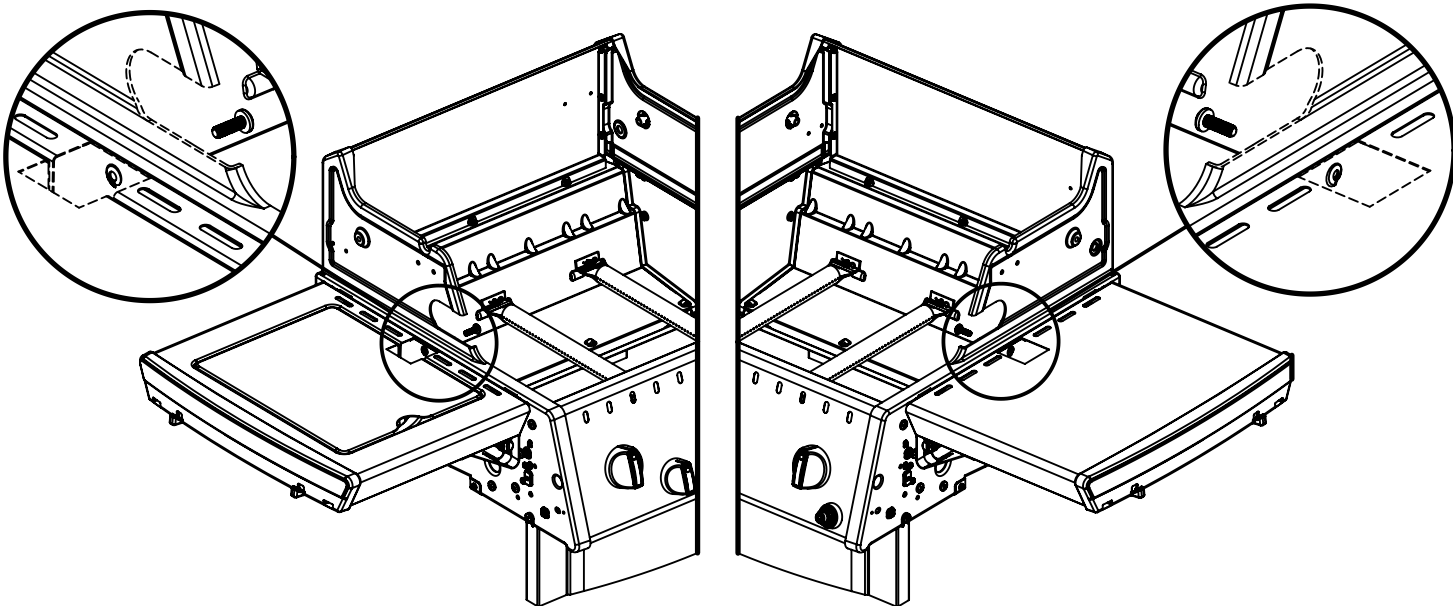
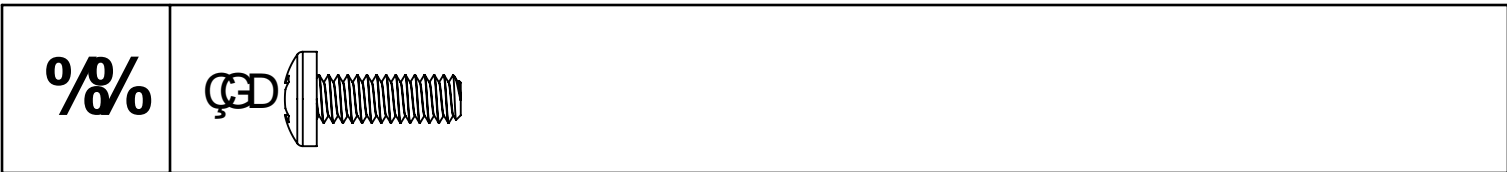


-	
---	--

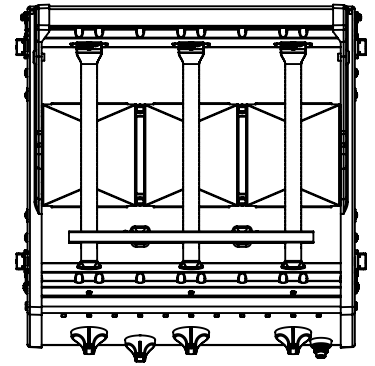
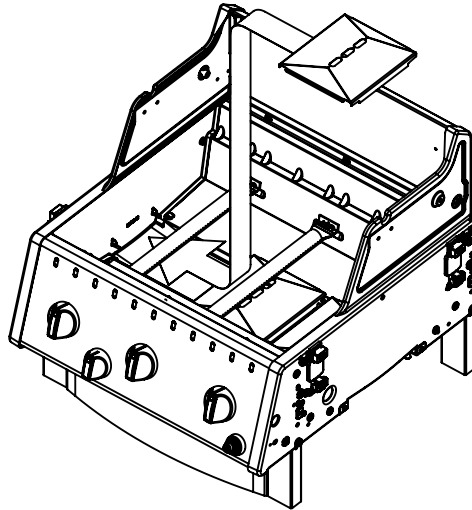
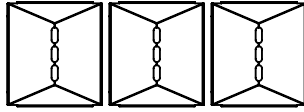
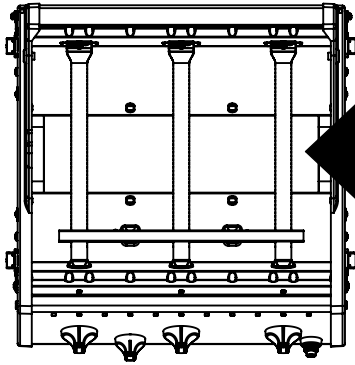


⌘	
---	--

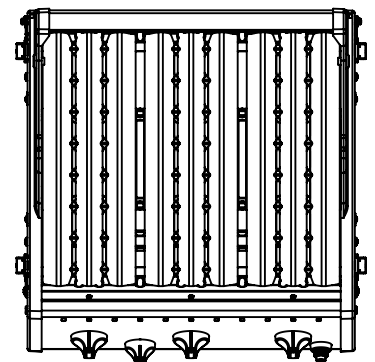
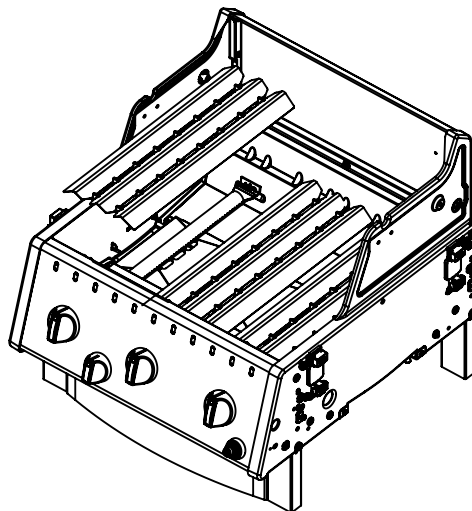
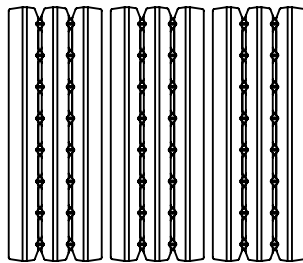
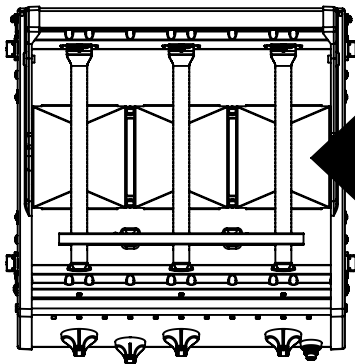


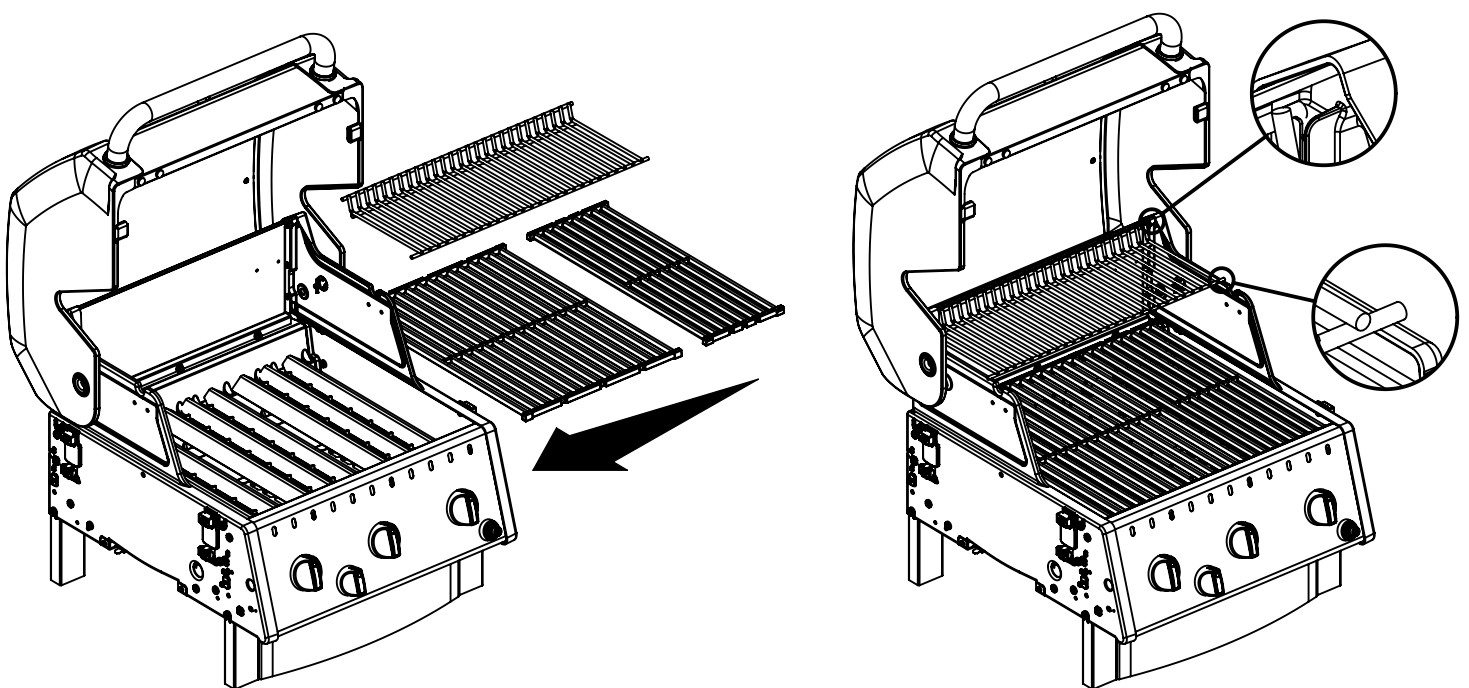
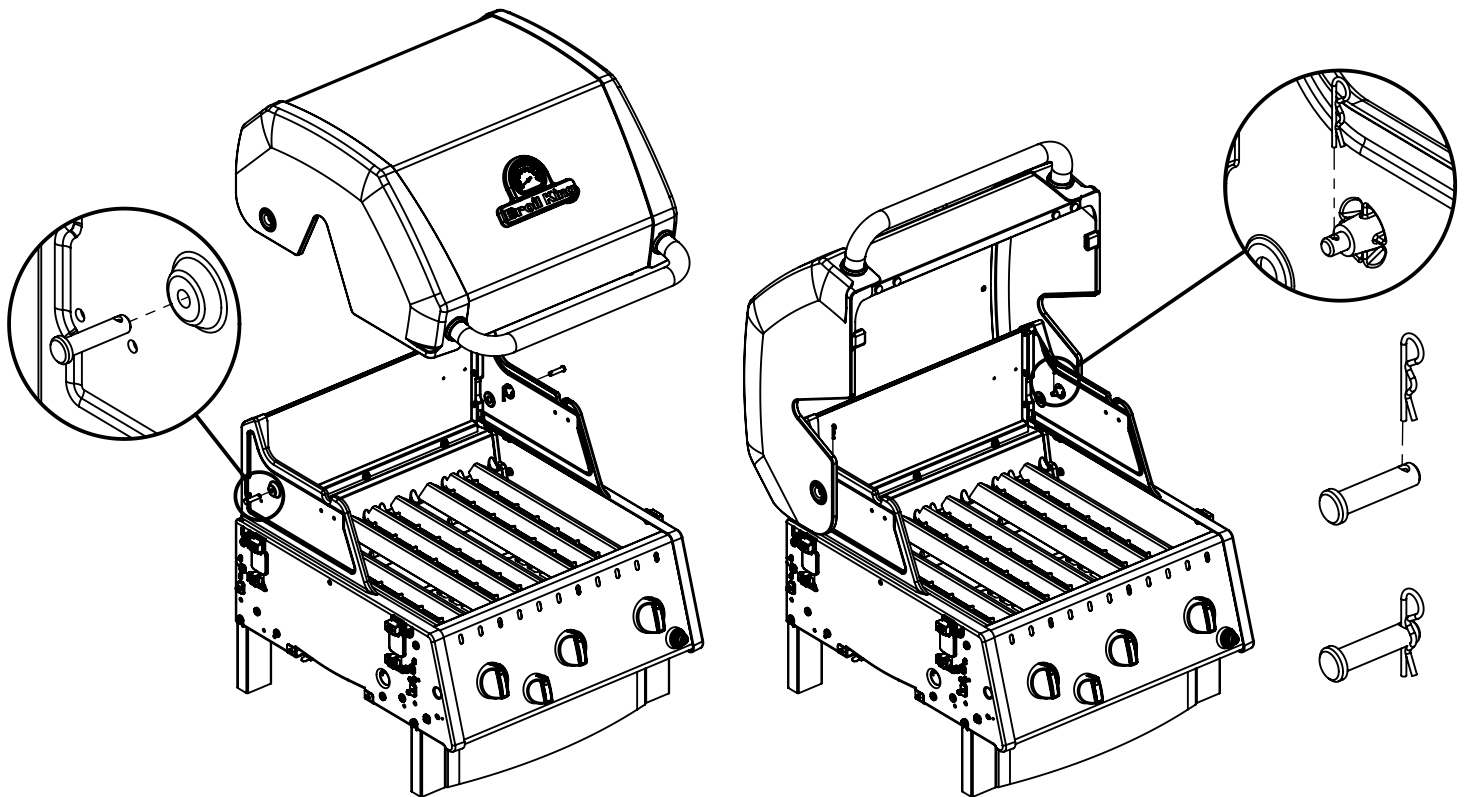
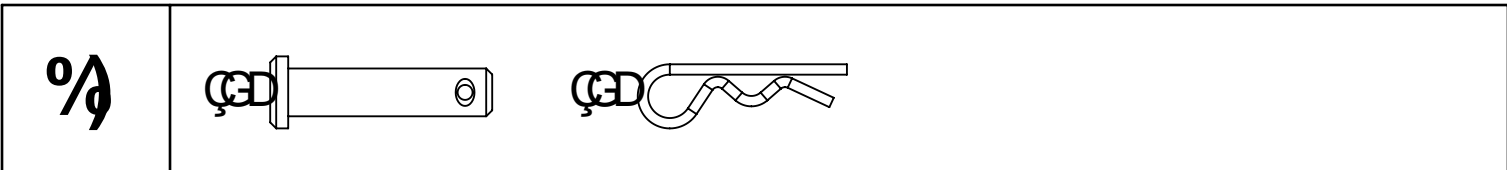


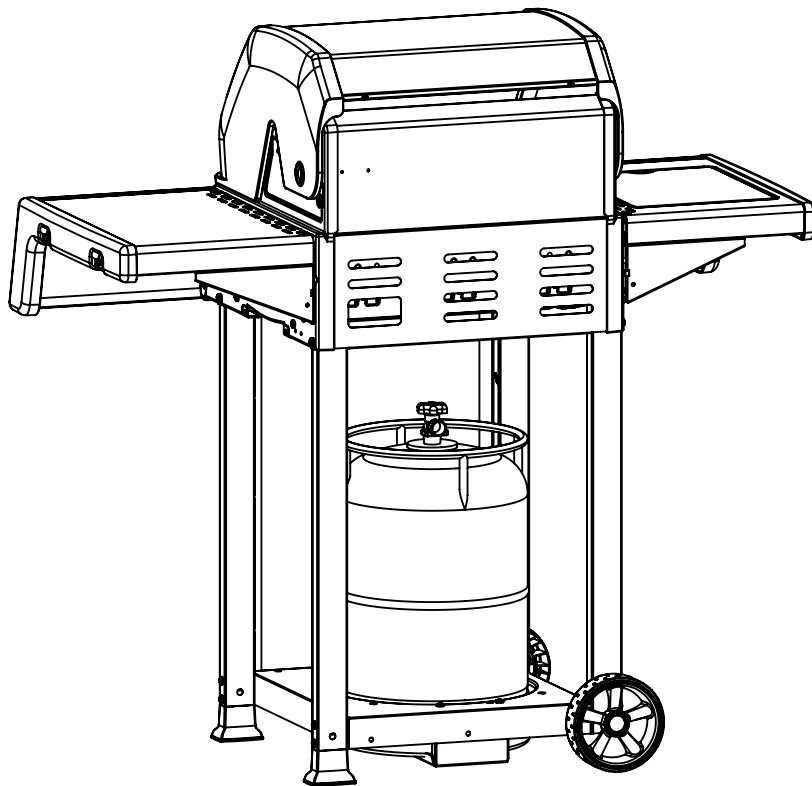
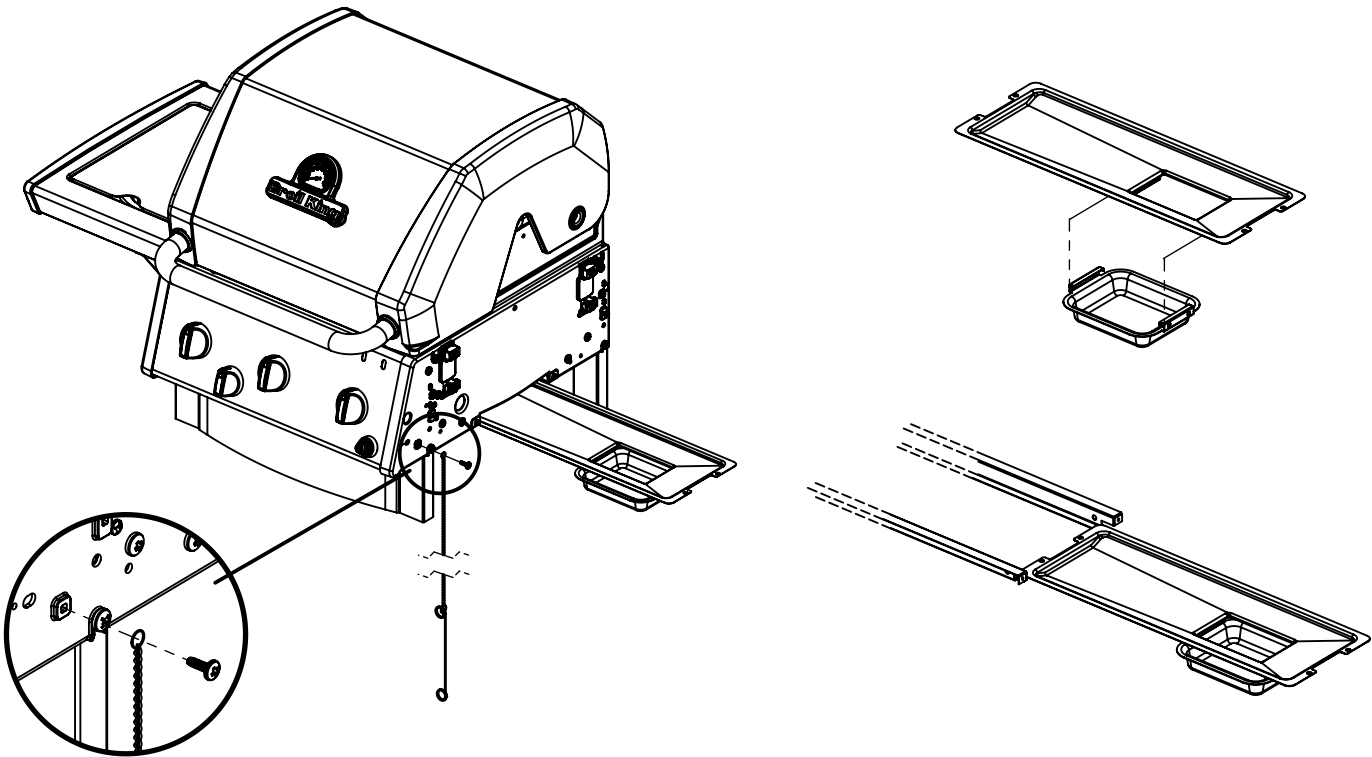
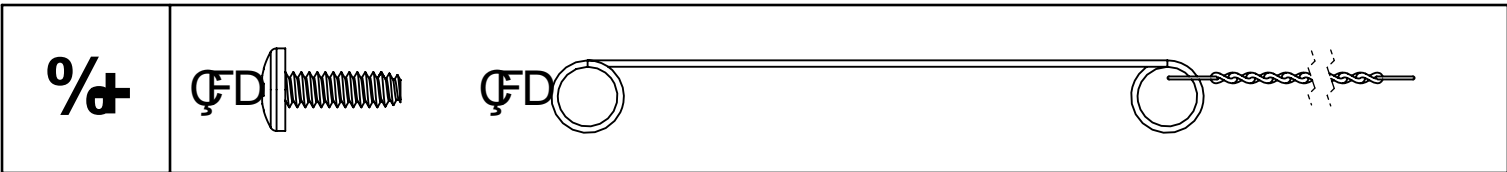
%



%







9812.53
9812.53NZ
9812.53NZ

9812.53
9812.53NZ
9812.53NZ

KEY #	ITEM #	DESCRIPTION	KEY #	ITEM #	DESCRIPTION	KEY #	ITEM #	DESCRIPTION
1	56004-801	LID	1	1	1	72	51429-158	LEG PLUG
5	10081-BK630	NAMEPLATE	1	1	1	74	10892-608	WHEEL
6	10571-6	HEAT INDICATOR	1	1	1	75	10240-13	WHEEL - PIN
7	24004-12A	HANDLE	1	1	1	76	32001-152	WHEEL - CAP
8	24009-936	HANDLE BEZEL	2	2	2	80	50711-E111A	SIDE SHELF - RIGHT
10	52104-004	FIREBOX	1	1	1	82	50711-E131A	SIDE SHELF - SIDE BURNER
15	52224-014A	COLLECTOR BOXES	1	1	1	86	10390-E10E	SIDE BURNER
17	27249-90	GREASE SHEILD	3	3	3	87	53004-271	SIDE BURNER - BODY
19	10342-E13	ELECTRODE	2	2	2	88	53000-251	SIDE BURNER - COVER
21	21034-991	GREASE TRAY - RAIL	2	2	2	89	63139-981	SIDE BURNER GRID
25	52909-144E	BURNER - MAIN	3	3	3	92	10342-T21	SIDE BURNER ELECTRODE
27	52023-244	CONTROL COVER	•	•	1	125	Y-12835	SCREW - #6 X 1/4
	52023-124		1	1	•	127	S21125	SCREW - #8 X 3/8
29	59004-035	CONTROL ASSEMBLY	•	•	1	129	S21124	SCREW - #8 X 1/2
	59004-015		1	•	•	130	Y-12646	SCREW - SHOULDER #8 X 1/2
	59004-014		•	1	•	131	S21136	SCREW - #8-32 X 1/2
30	S13473-079	HOSE - SIDE BURNER	•	•	1	135	S35094	SCREW - #10-24 X 5/8
40	10472-K432	CONTROL KNOB	3	3	3	136	Y-29310	SCREW - #10-24 X 3/4
41	10472-K232	CONTROL KNOB	•	•	1	140	Y-12865	SCREW - 1/4-20 X 1/2
42	10342-245	ELECTRONIC IGNITOR	•	•	1	141	Y-12310	SCREW - 1/4-20 X 3/4
	10342-244		1	1	•	142	Y-12860	SCREW - 1/4-20 X 1
47	57055-901	GREASE TRAY	1	1	1	143	Y-11562	SCREW - 1/4-20 X 2-3/8
49	52009-901	GREASE PAN	1	1	1	150	Y-11973	NUT - 1/4-20
50	52209-404	FLAV-R-WAVE®	3	3	3	169	Y-11230	RETAINER CLIP
52a	52007-181	GRID - SINGLE	1	1	1	170	S21235	HINGE PIN
52b	52002-181	GRID - DOUBLE	1	1	1	171	S21233	CLIP
54	52004-091	GRID - WARMING RACK	1	1	1	180	SP25-11	LID BUMPER
60	51084-111	FRONT PANEL	1	1	1	181	Y-11231	LID BUMPER - ROUND
61	51209-101	LEG	4	4	4	182	20005-000	MATCH LIGHT CHAIN
63	52340-202	LEG - BRACKET	4	4	4	186	Y-11544	BURNER SCREW
65	51694-131R	CABINET - LOWER BASE	1	1	1	187	S21242	CLIP
67	21039-301	TANK BRACKET	1	1	1			

