

Broil King®



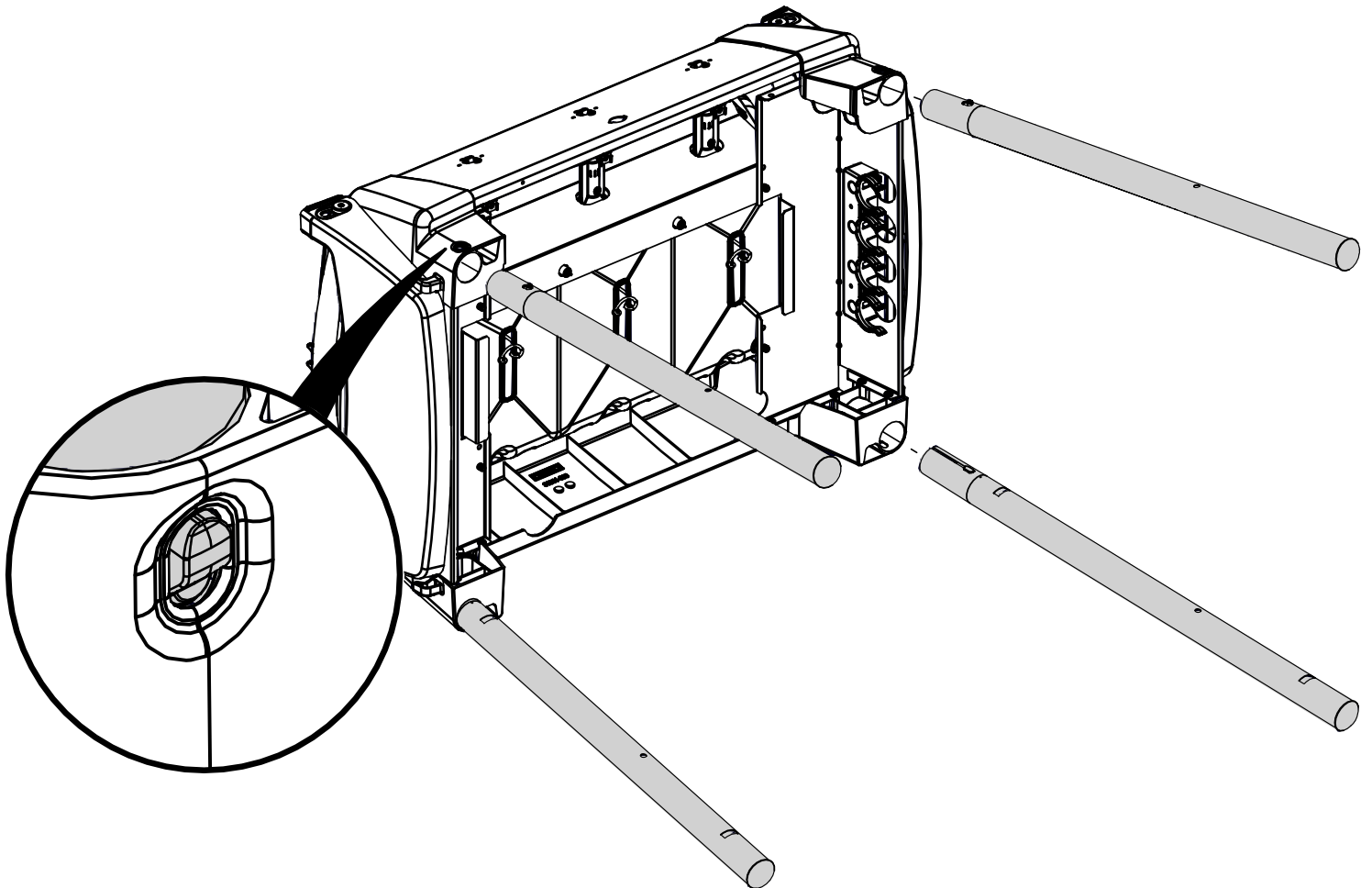
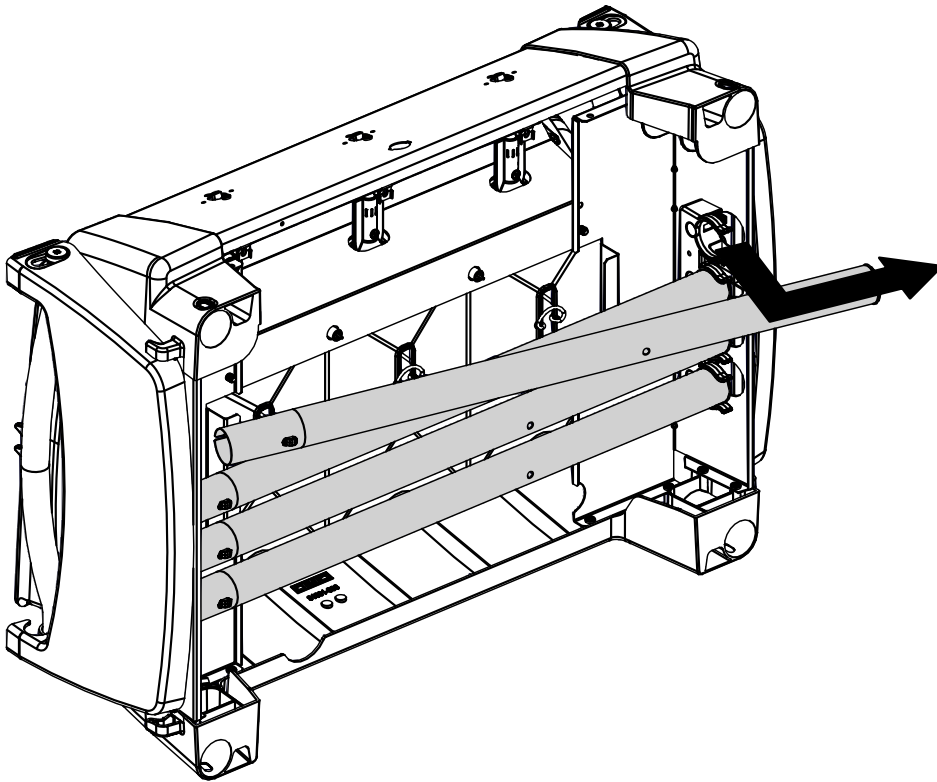
Broil King
PORTA-CHEF 320
9526-52
9526-53

Onward
MANUFACTURING COMPANY
585 KUMPF DRIVE LIMITED
WATERLOO, ONTARIO, CANADA
N2V 1K3

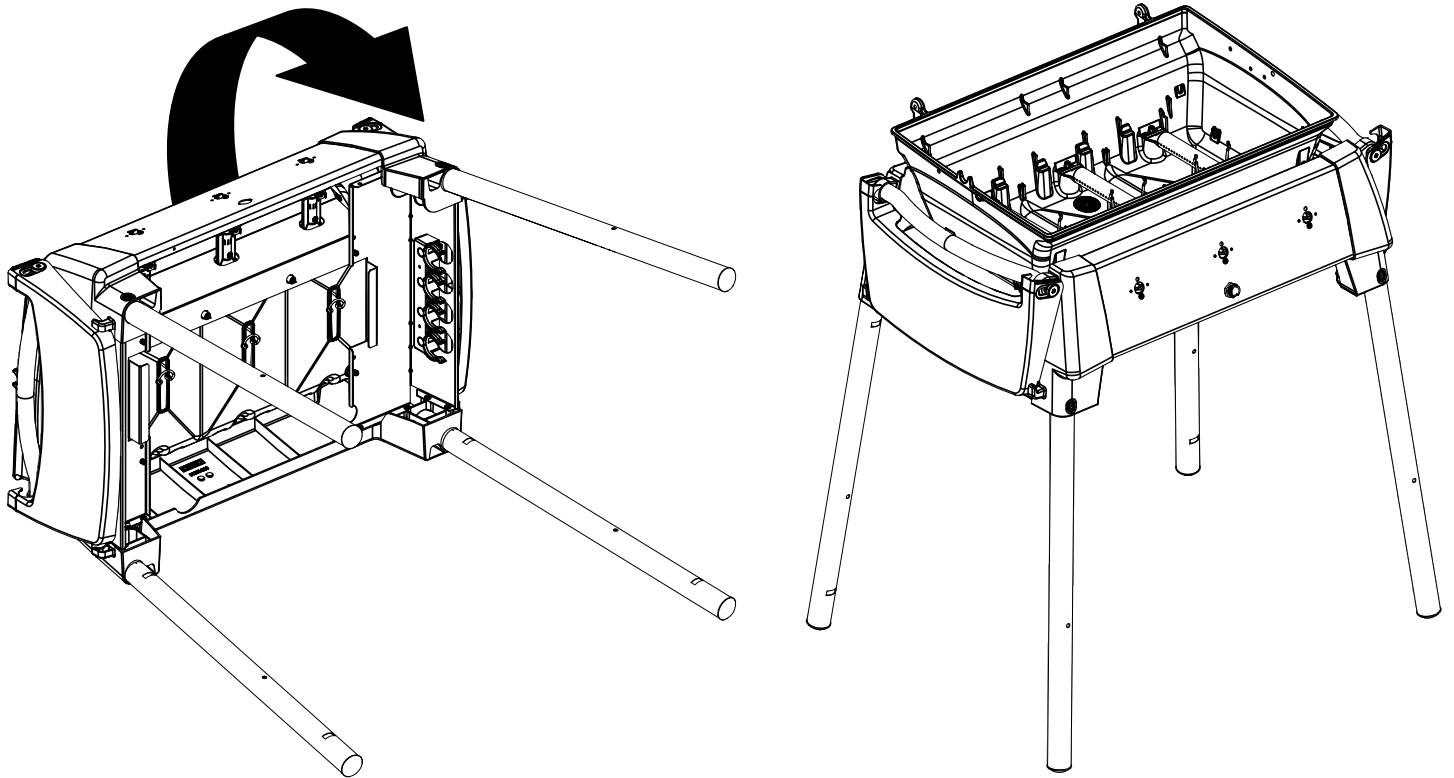
SINCE 1906

10084-E25EU REV B 04/16



1

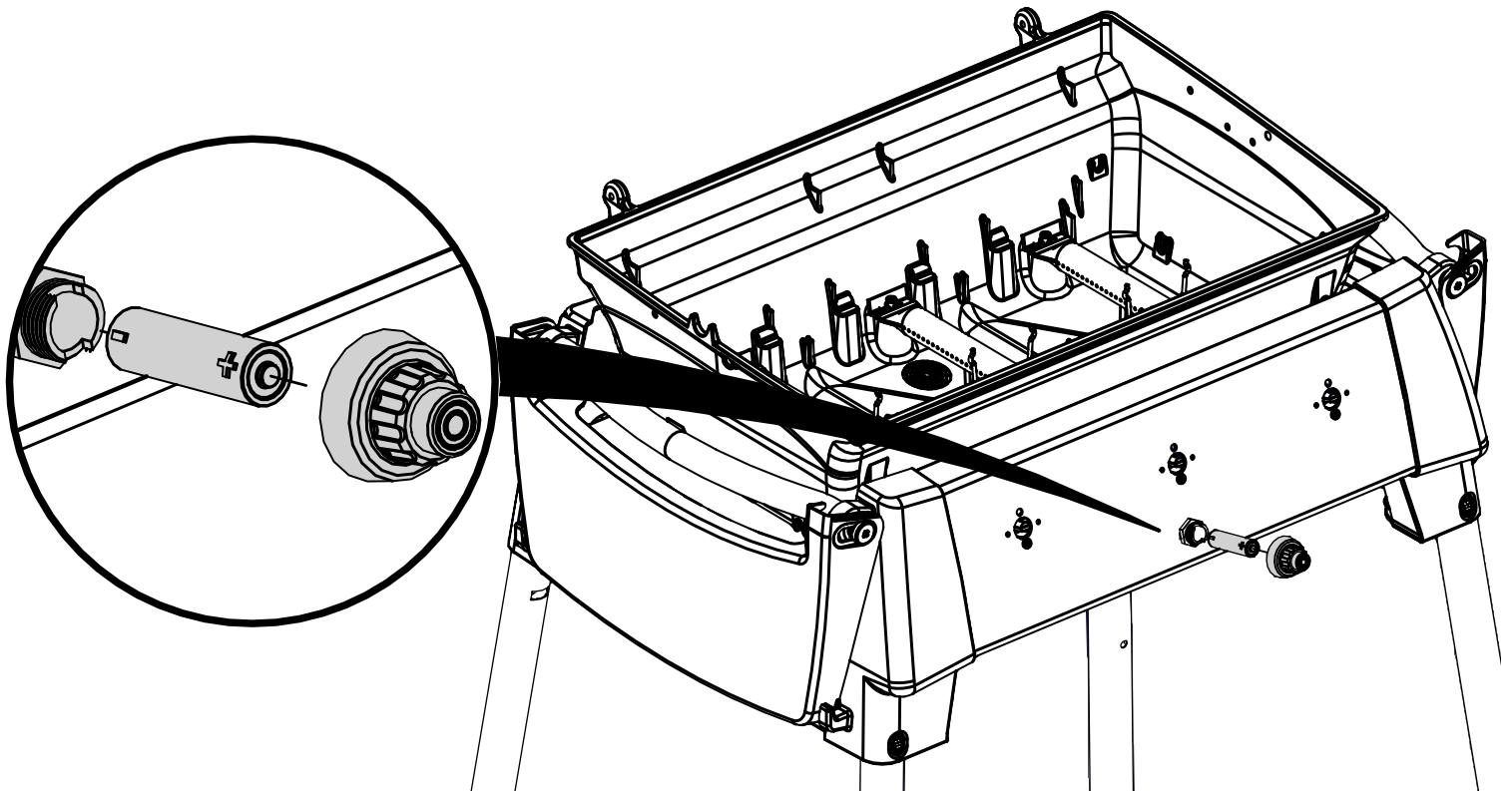


2

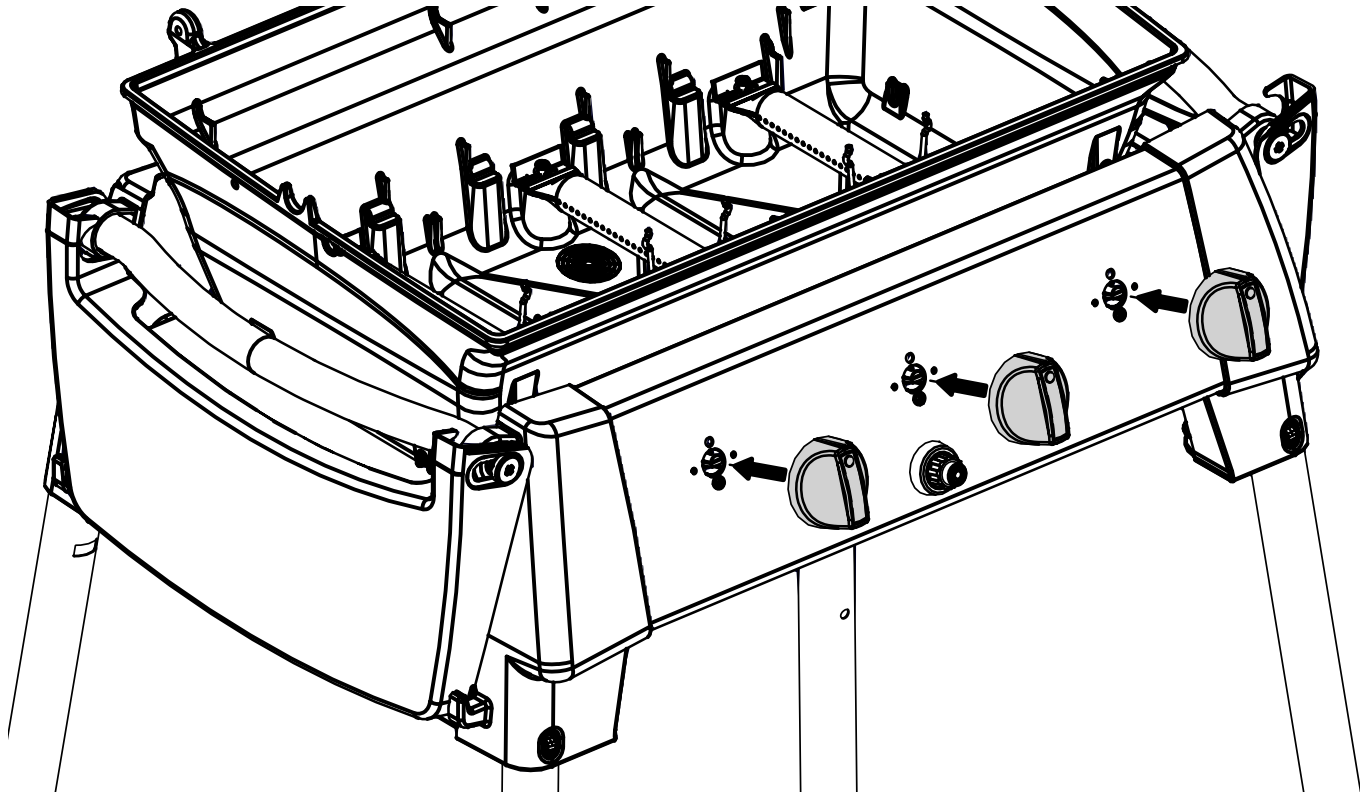


3

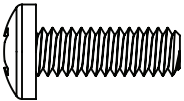
(1)  AAA 

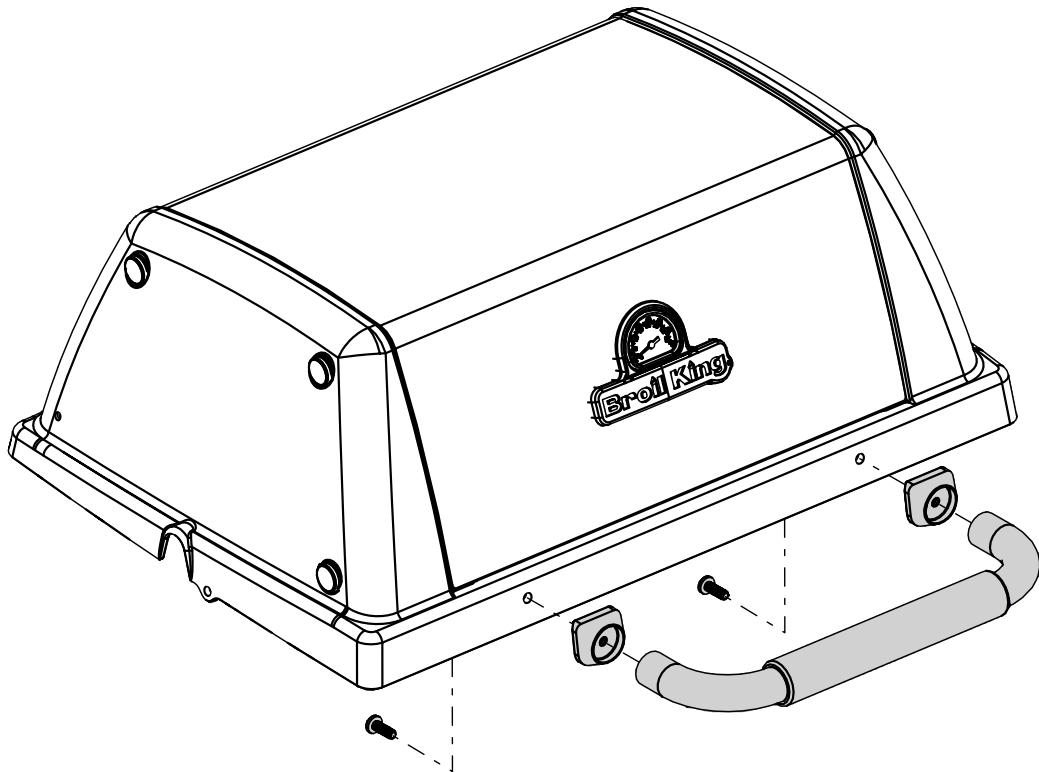


4

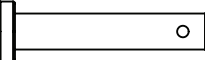



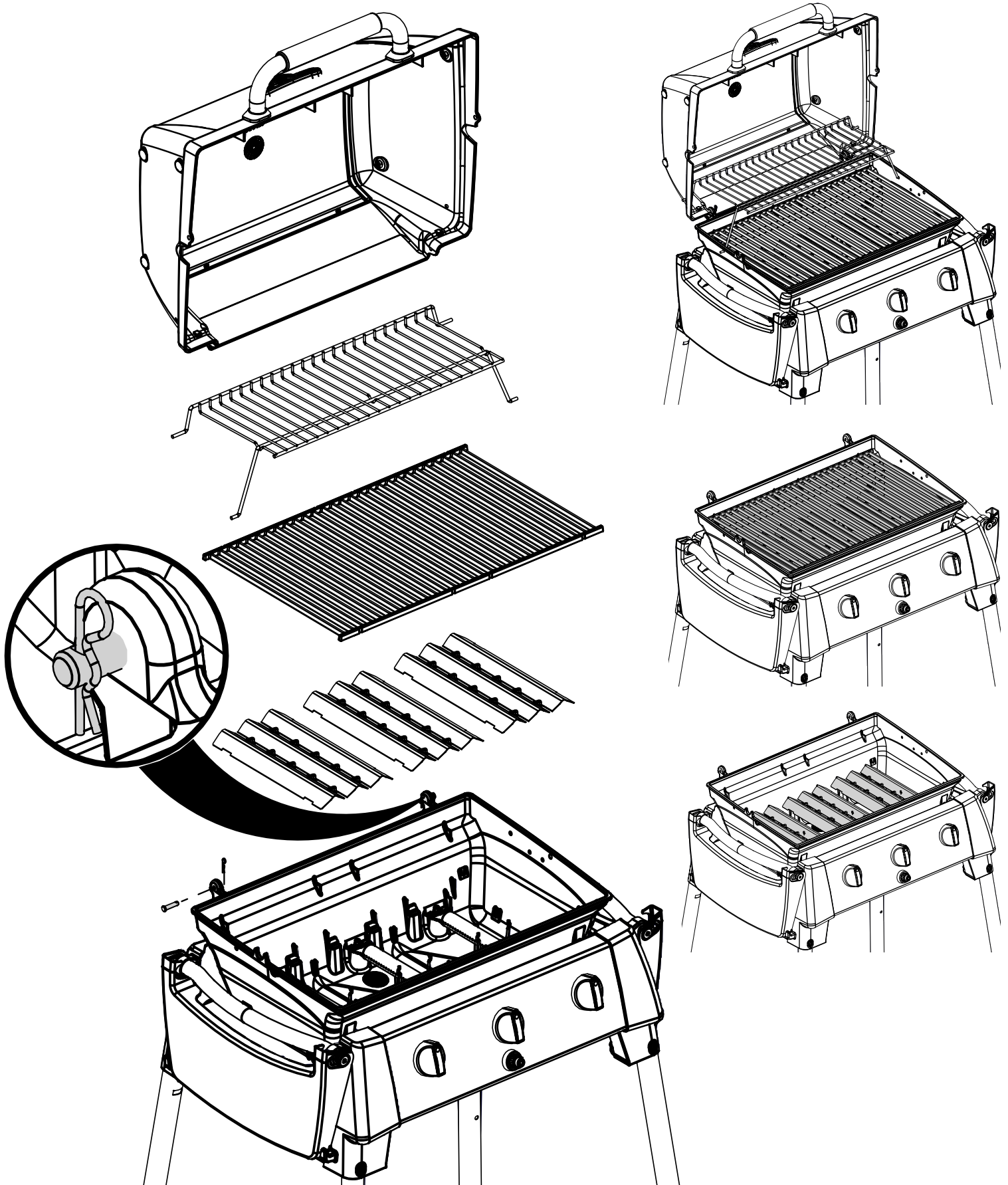
5

(2) 

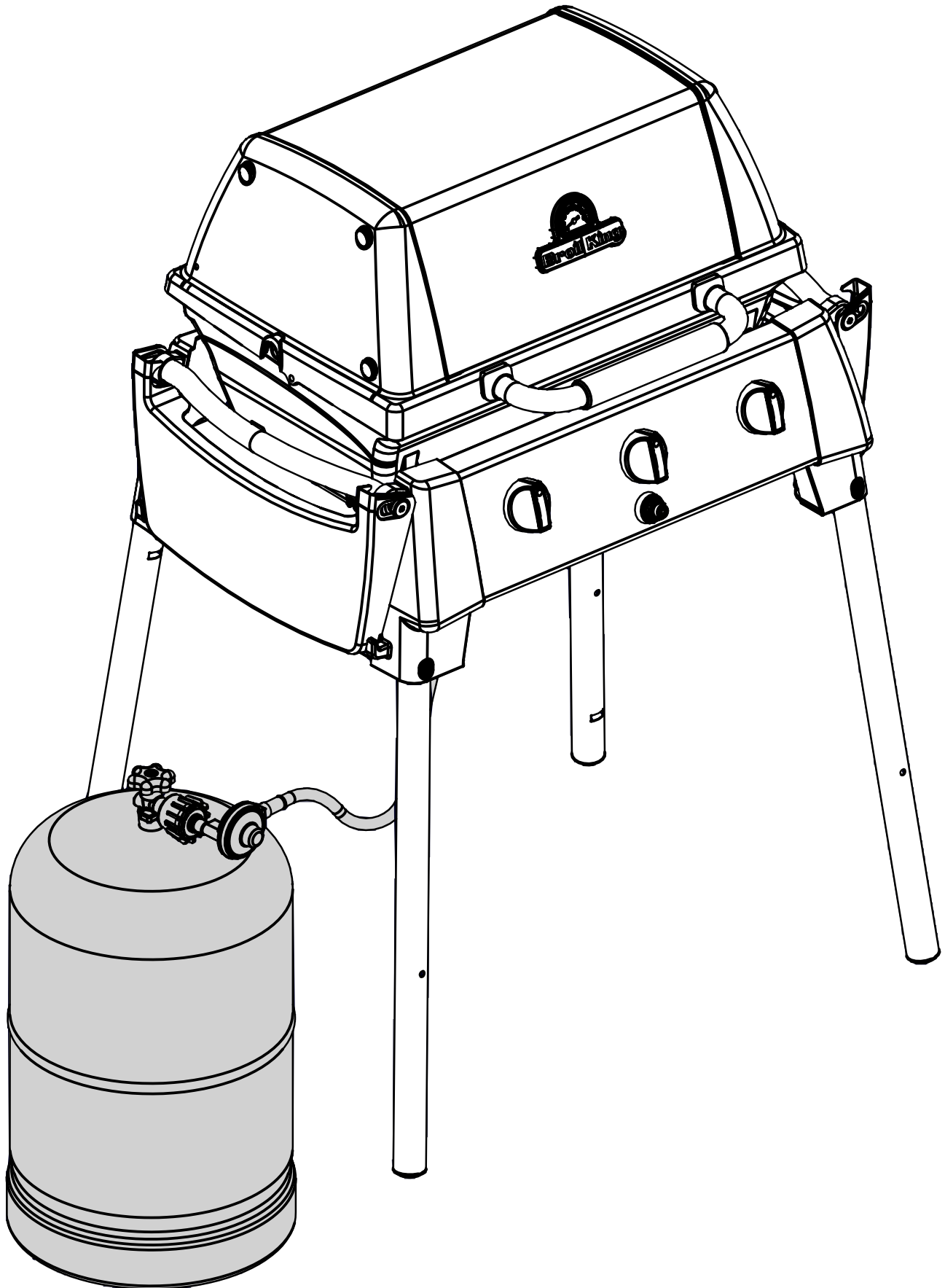


6

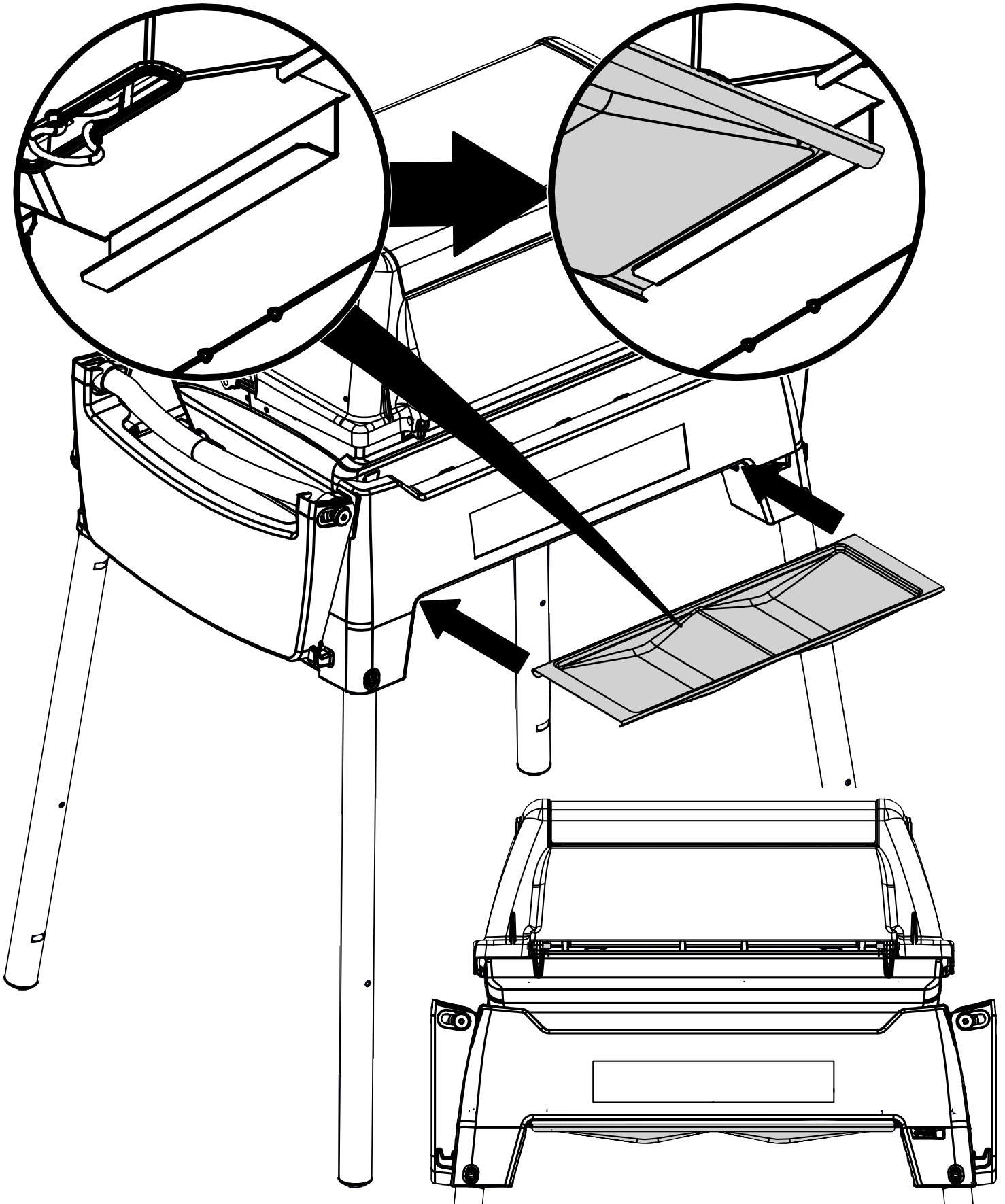
(2)  (2) 



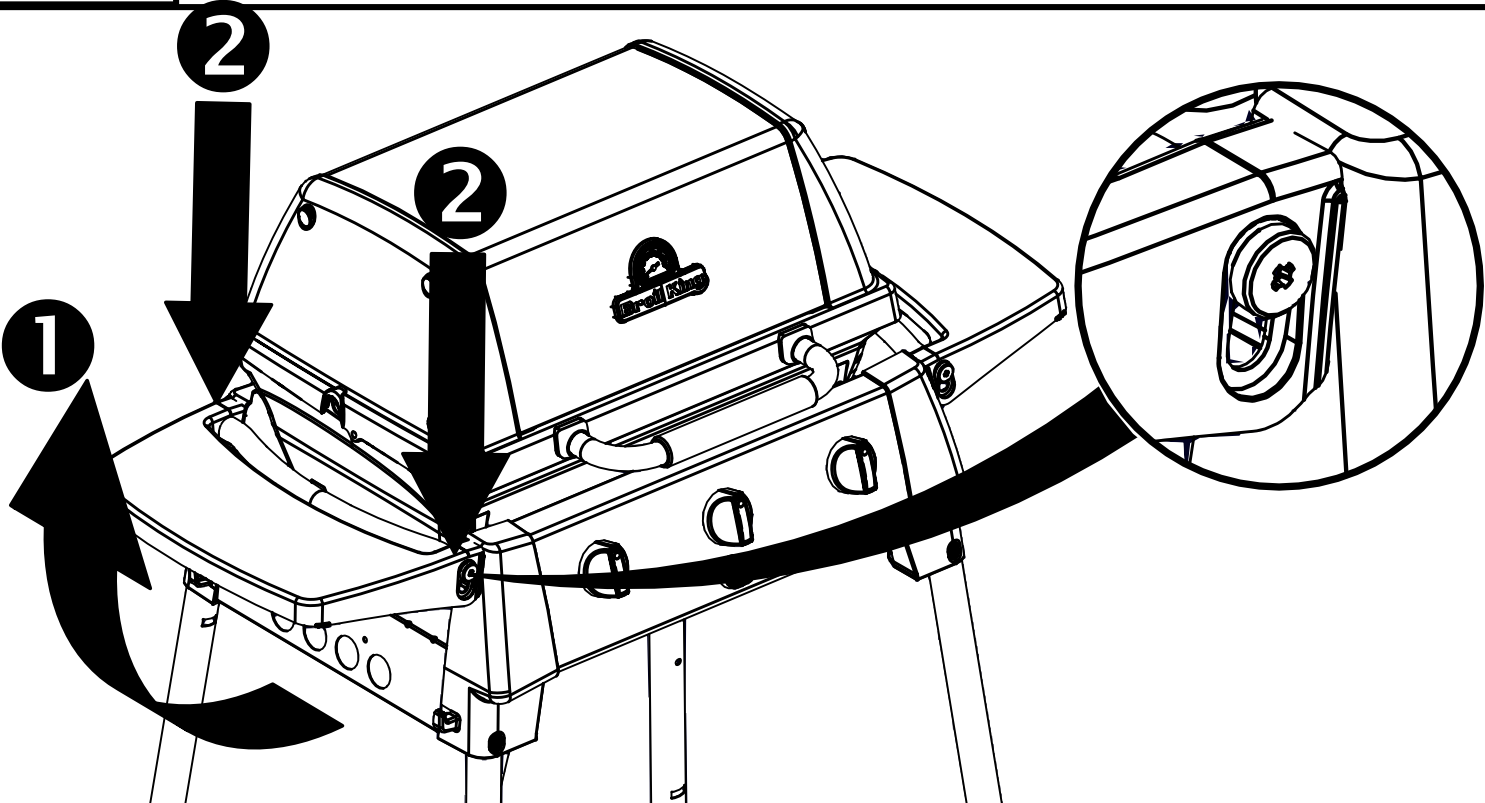
7



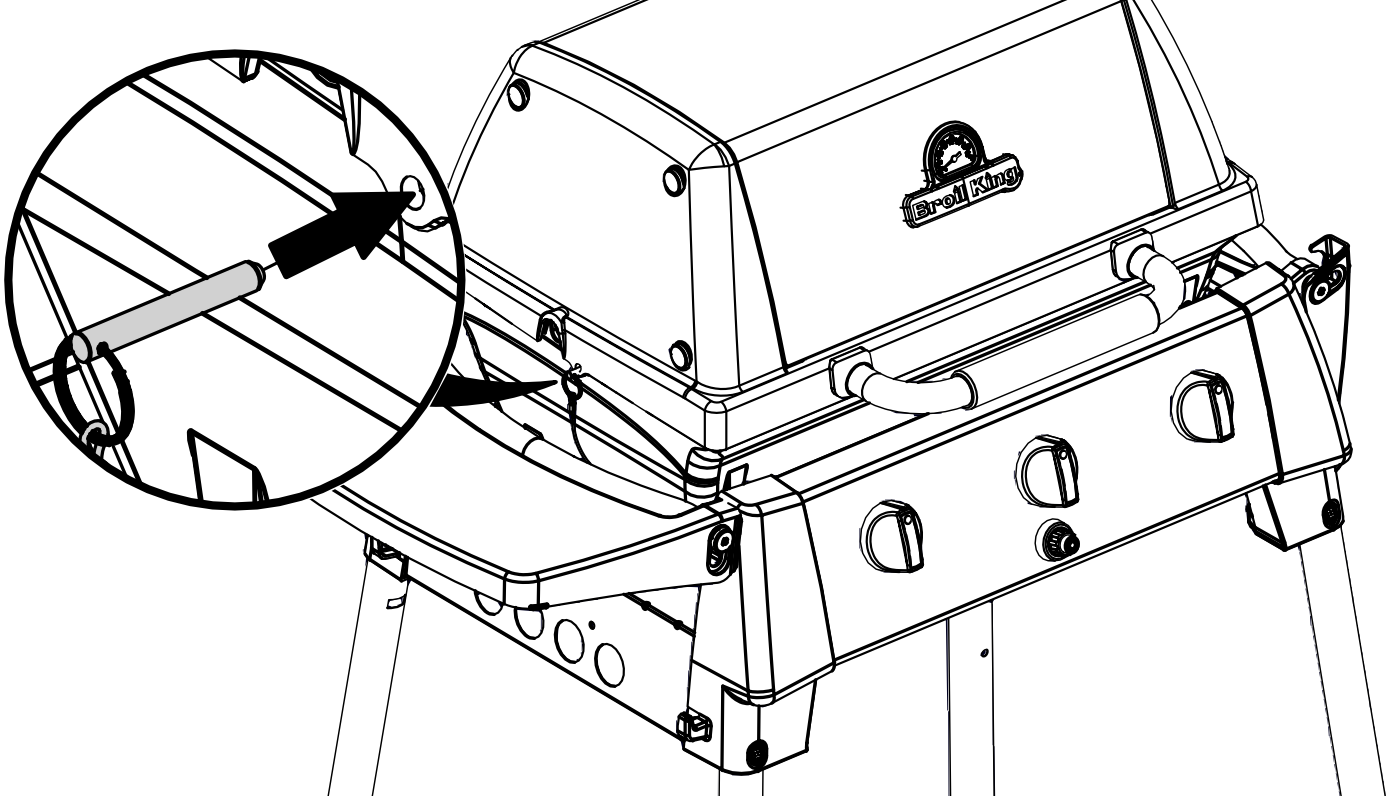
8



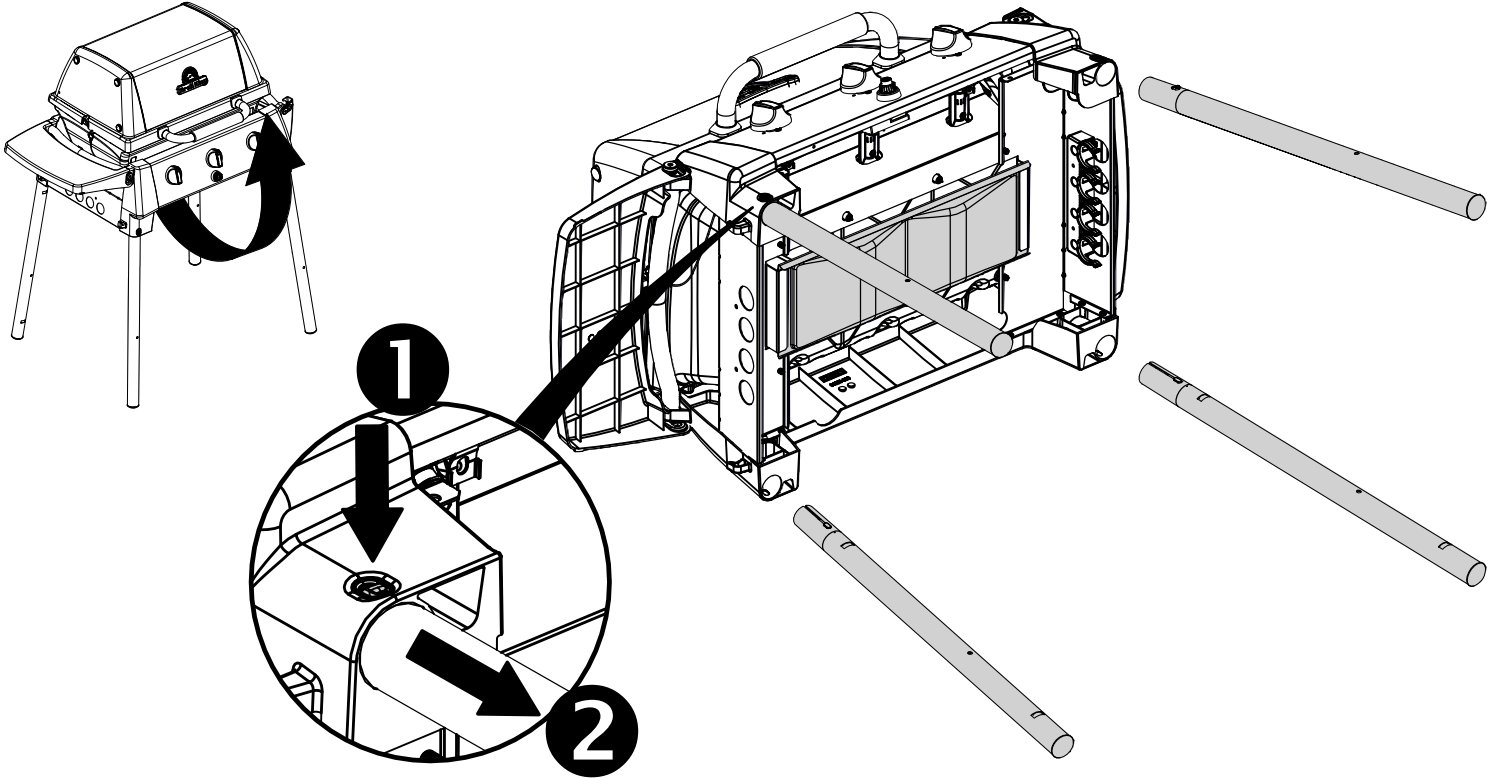
9



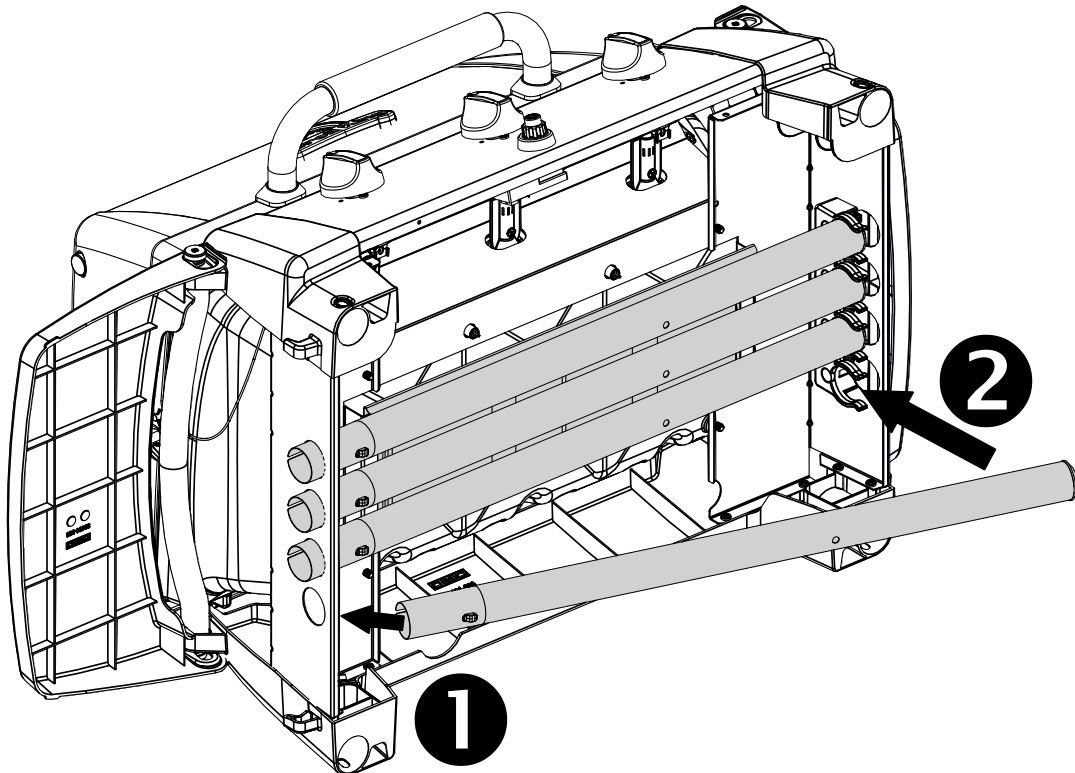
10



11



12



PARTS LIST

<u>KEY #</u>	<u>ITEM #</u>	<u>DESCRIPTION</u>	<u>9526-52</u>	<u>9526-53</u>
1	10909-E33	CASTING BOTTOM	1	1
2	10473-E33	CASTING TOP	1	1
3	10081-BK530	NAMEPLATE	1	1
4	10958-E334A	TOP CASTING INSERT	1	1
5	10571-5	HEAT INDICATOR	1	1
6	32300112	HINGE PIN	2	2
7	Y-11544	SCREW - BURNER	3	3
8	S21242	HITCH PIN CLIP	3	3
9	10225-E300	GRID	1	1
10	10222-E304	FLAV-R-WAVE™	3	3
11	10225-E330	WARMING RACK	1	1
12	10184-E17	WIRE RETAINER	3	3
15	10390-E30D	BURNER	3	•
	10390-E30E	BURNER	•	3
17	10342-245	IGNITOR	1	1
18	10342-E12	ELECTRODE	2	2
19	52224-024A	COLLECTOR BOX	1	1
21	39004-042	CONTROL ASSEMBLY	1	•
	39004-043	CONTROL ASSEMBLY	•	1
23	10472-K431	CONTROL KNOB	3	3
29	34100-8	LID PIN	2	2
30	10194-E228	CONTROL COVER	1	1
31	31201-338	EDGE CAP	1	1
32	31201-318	EDGE CAP	1	1
33	10184-F35	HEAT SHIELD	1	1
36	10184-E281	SUPPORT-CASTING	2	2
39	31301-308	BRACE-REAR	1	1
41	Y-12664	LEG CLIP	1	1
42	Y-12662	LEG CLIP	4	4
43	31403-201A	LEG	4	4
50	33101-308	SHELF	2	2
51	10338-144	HANDLE	2	2
58	34000-336	BEZEL	2	2
75	31106-13A	HANDLE	1	1
76	Y-12128	BUSHING	4	4
78	31003-248	LEG PLUG	4	4
81	Y-12310	SCREW 1/4-20 X 3/4	2	2
82	Y-12860	SCREW 1/4-20 X 1	4	4
87	Y-11793	NUT 1/4-20	6	6
96	S21125	SCREW #8 X 3/8	4	4
123	32051-302	GREASE TRAY	1	1
146	S21233	HITCH PIN CLIP	2	2
147	Y-11231	BUMPER	4	4
159	S21136	SCREW #8-32 X 3/8	3	3
161	Y-29306	SCREW #10-24 X 3/4	22	22
166	Y-11979	BOLT 1/4-20 X 3/8	6	6
167	Y-11989	BOLT 1/4-20 X 1	4	4

