

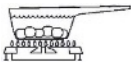
# Broil King®



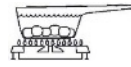
**Broil King**  
BARON 420  
8752-52  
8752-53



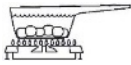
**Broil King**  
BARON S420  
8753-52  
8753-53



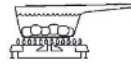
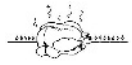
**Broil King**  
BARON 440  
8752-62  
8752-63



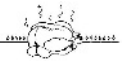
**Broil King**  
BARON S440  
8753-62  
8753-63




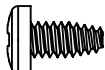
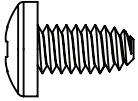
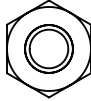
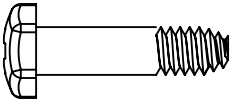
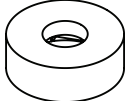
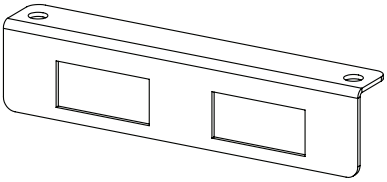
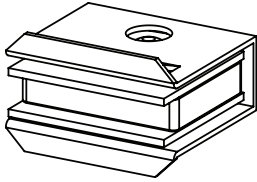
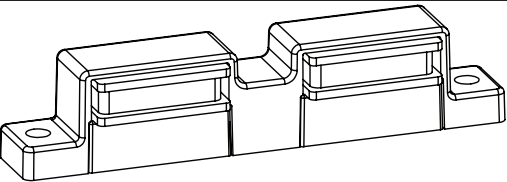
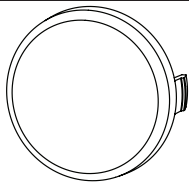
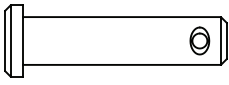
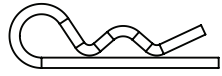
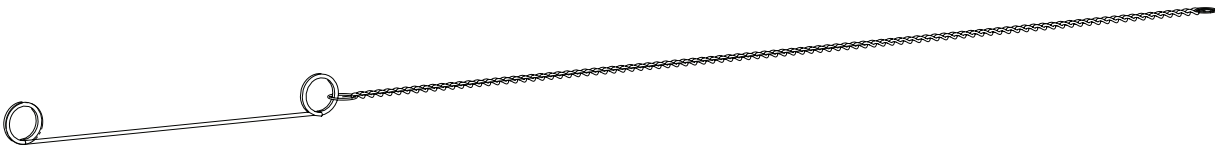
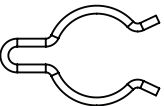
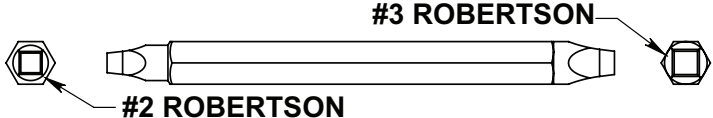
**Broil King**  
BARON 490  
8752-82  
8752-83  
8752-86



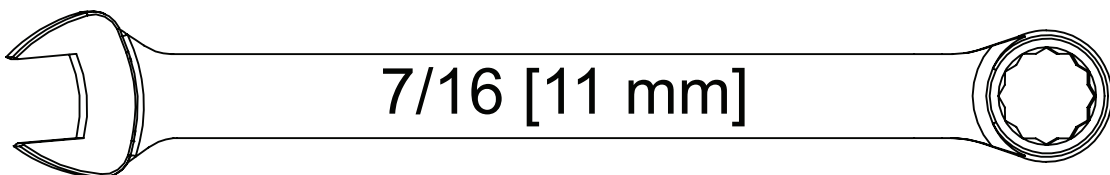
**Broil King**  
BARON S490  
8753-82  
8753-83  
8753-86



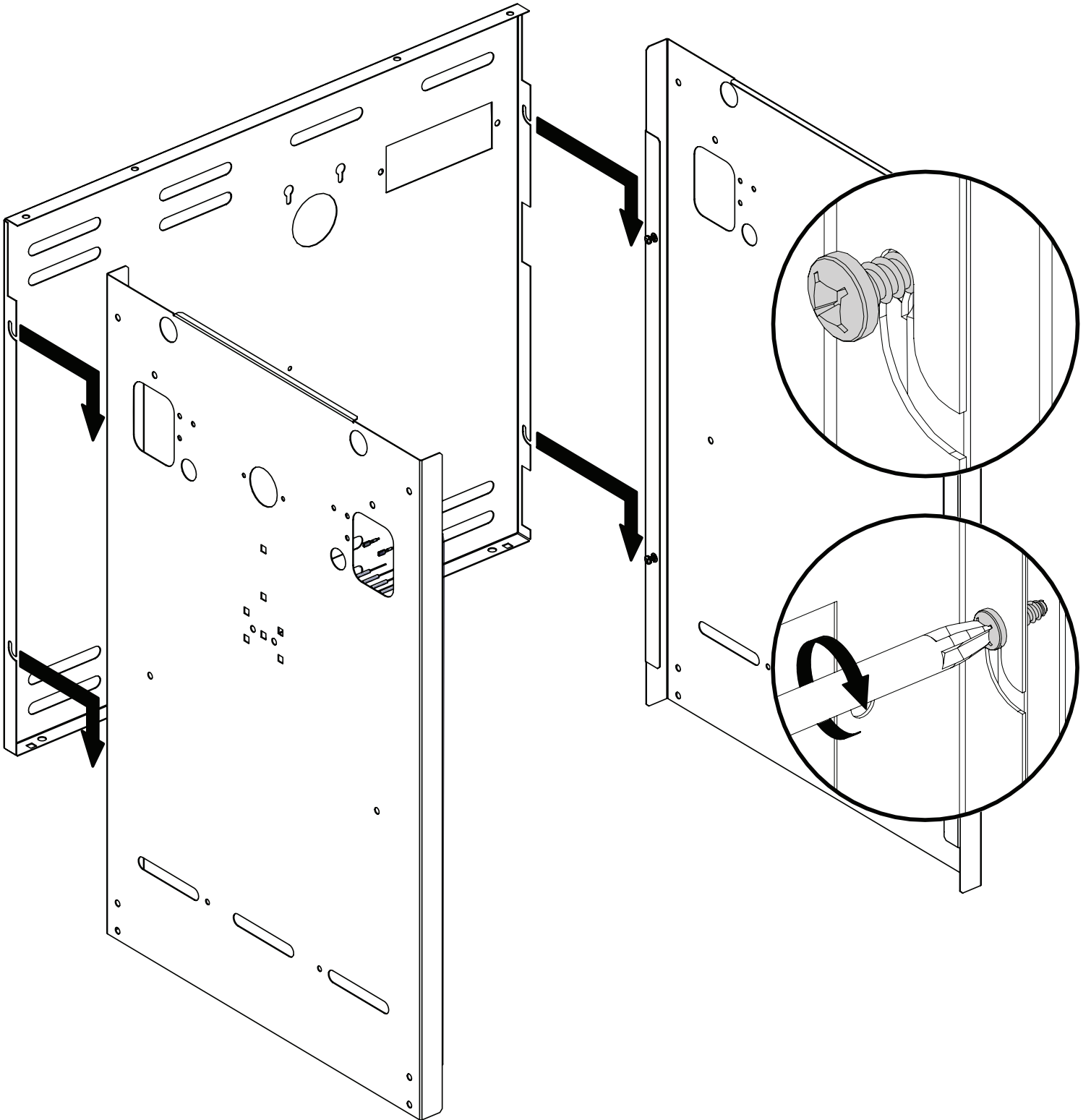
## HARDWARE INCLUDED

S21124		(8)	Y-29304		(2)
Y-12865		(26)	Y-11793		(6)
Y-11551		(2)	Y-12124		(2)
56039-211		(1)	Y-12223		(2)
Y-12229		(1)	32001-151		(4)
S21235		(2)	S21233		(2)
20005-000				(1)	
Y-11230		(1)	 <p style="text-align: right;">#3 ROBERTSON</p> <p style="text-align: center;">#2 ROBERTSON</p>		

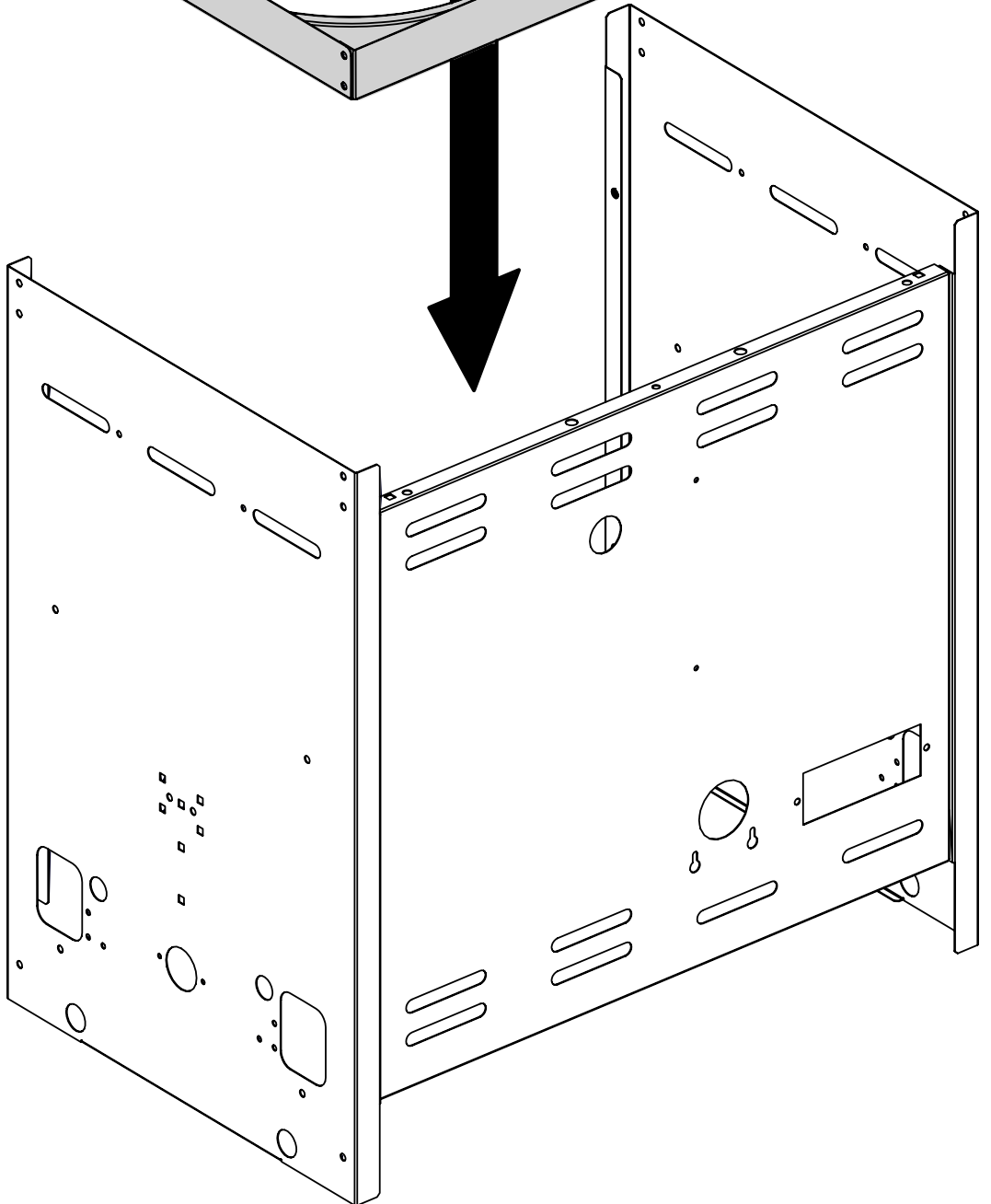
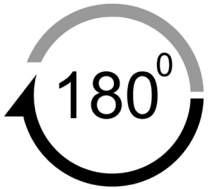
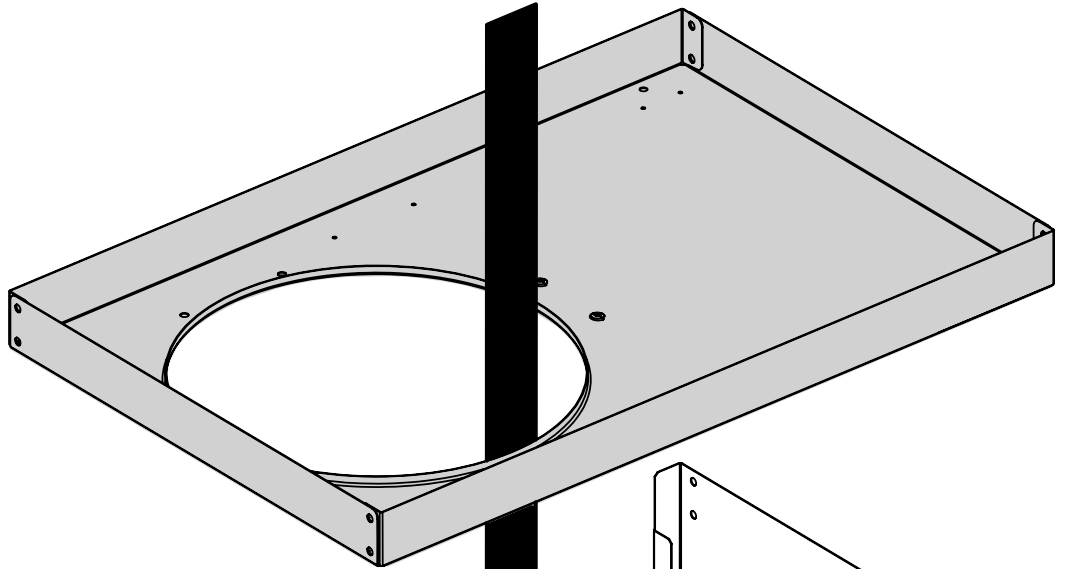
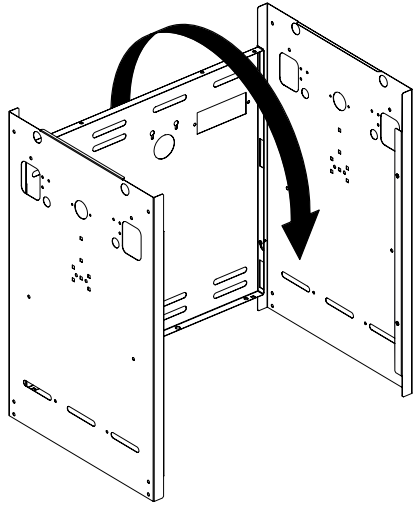
## TOOLS REQUIRED



1




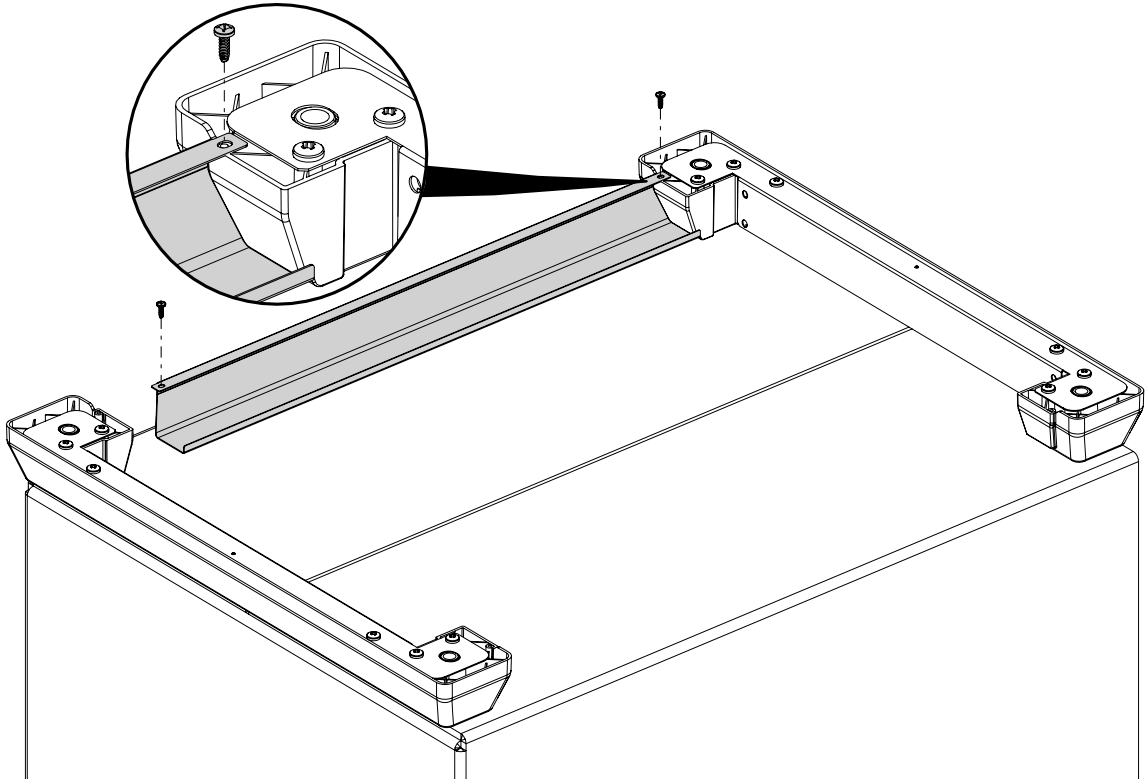
2



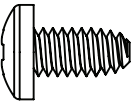


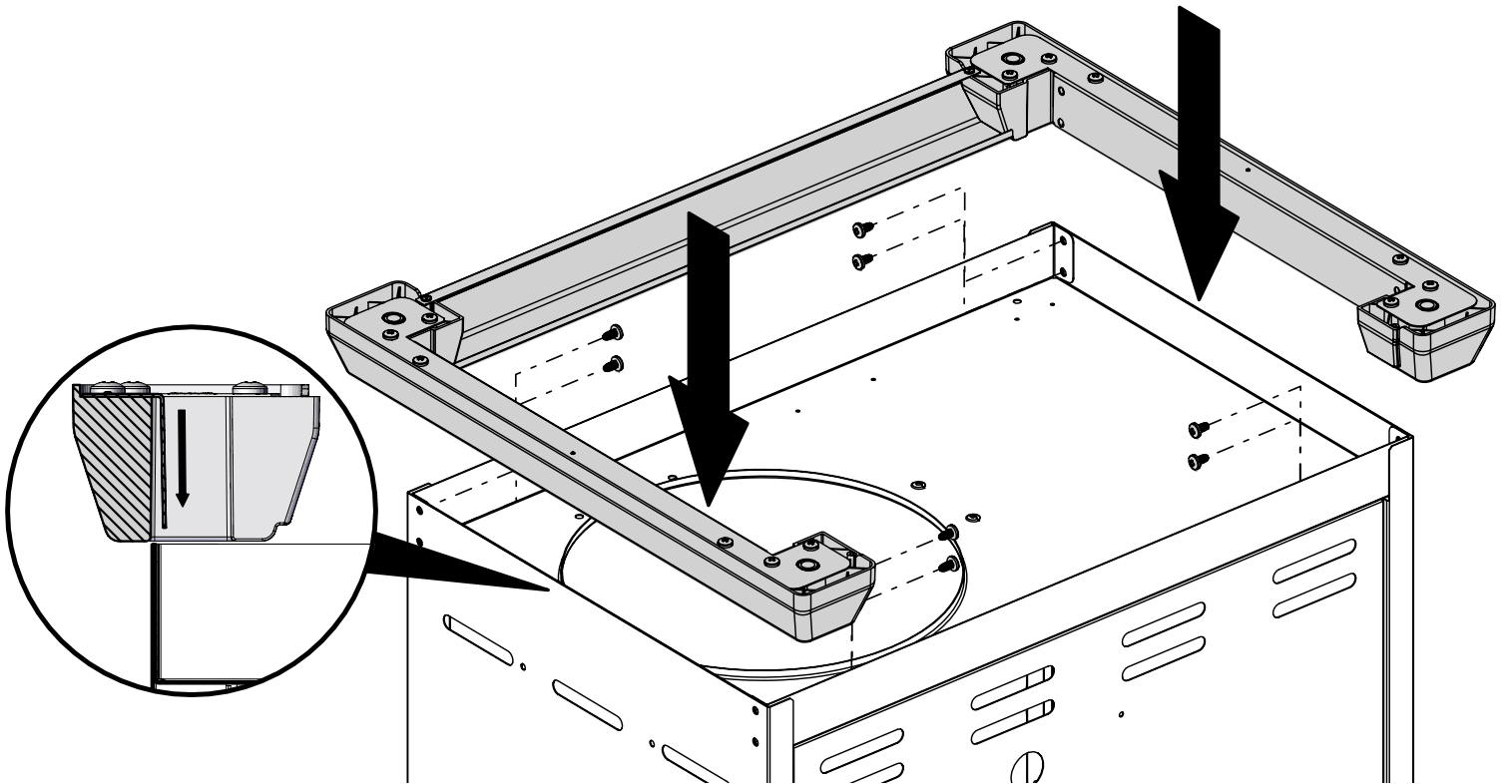
3

(2) 

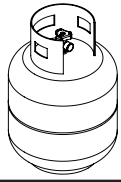


4

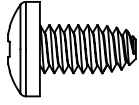
(8) 



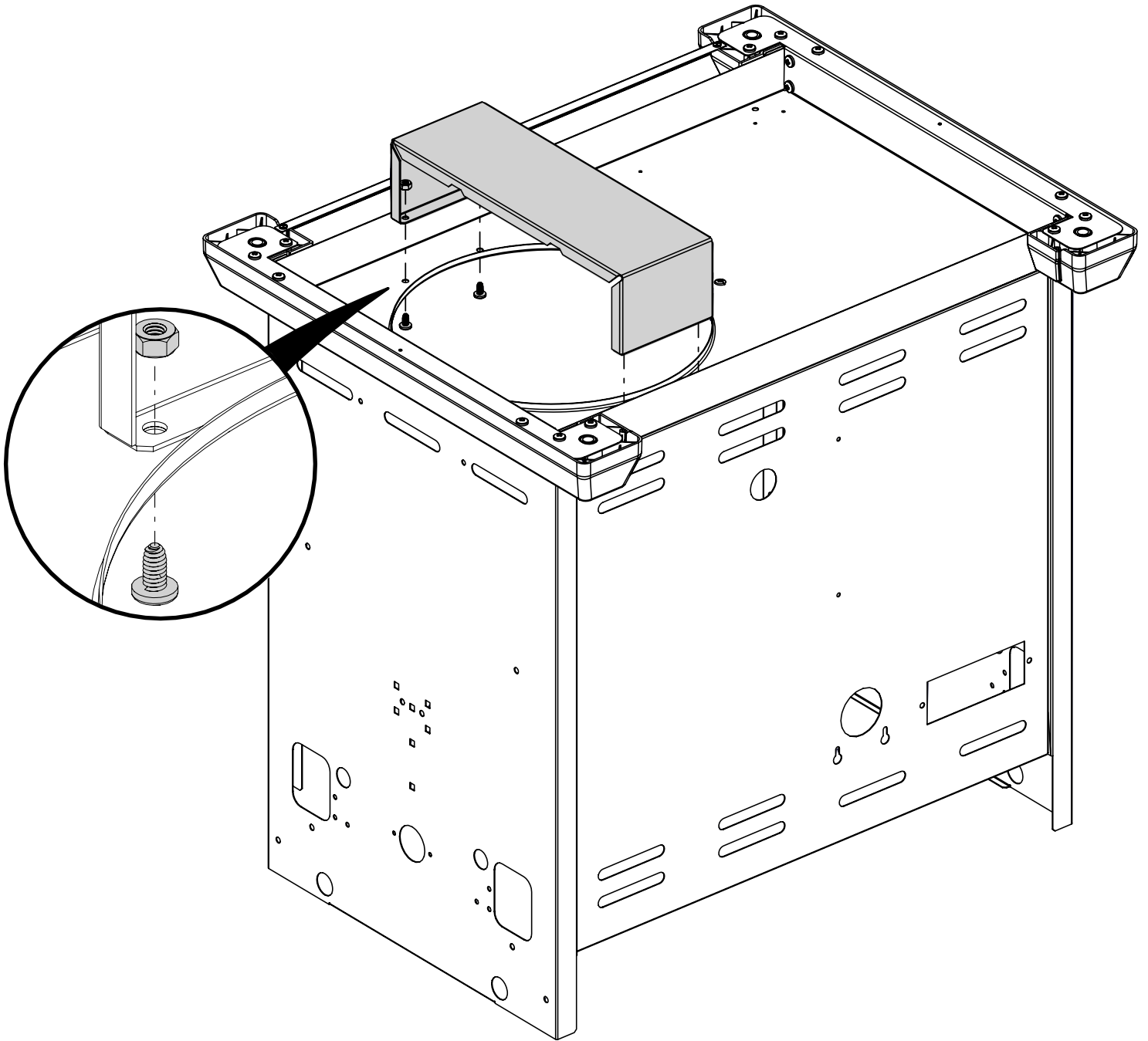
5



(4)

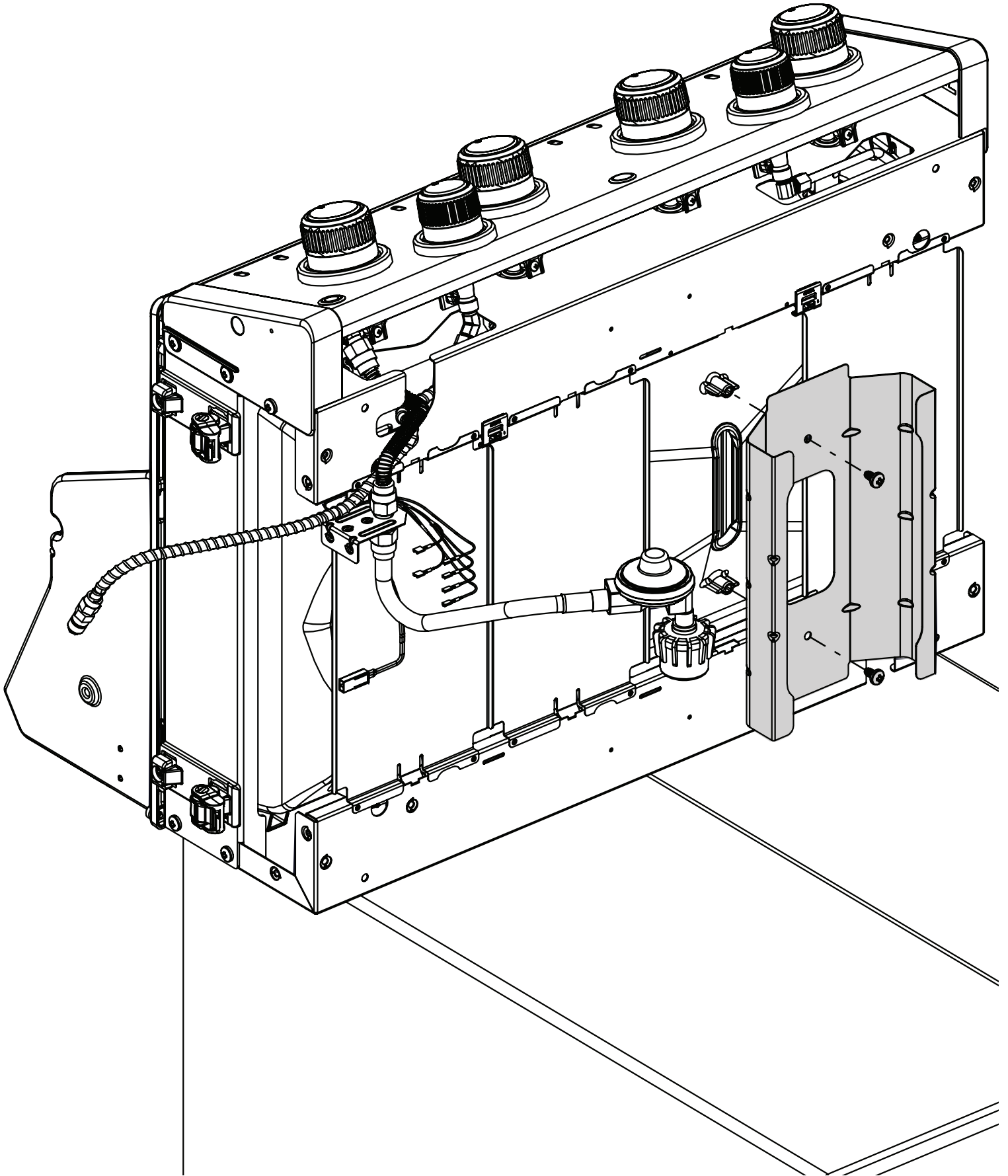
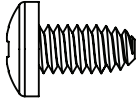


(4)



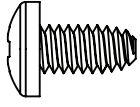
6

(2)

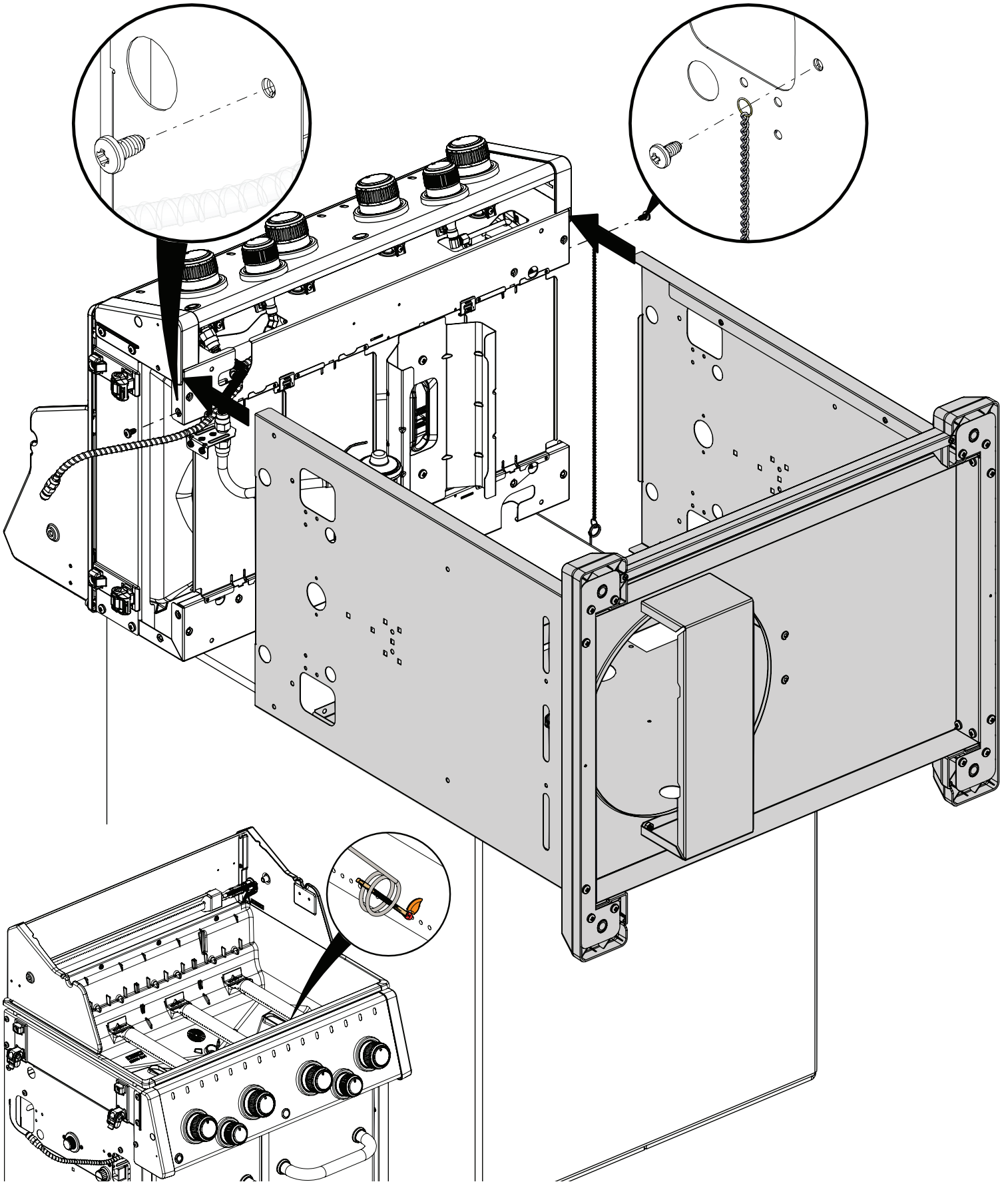


7

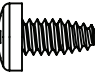
(2)

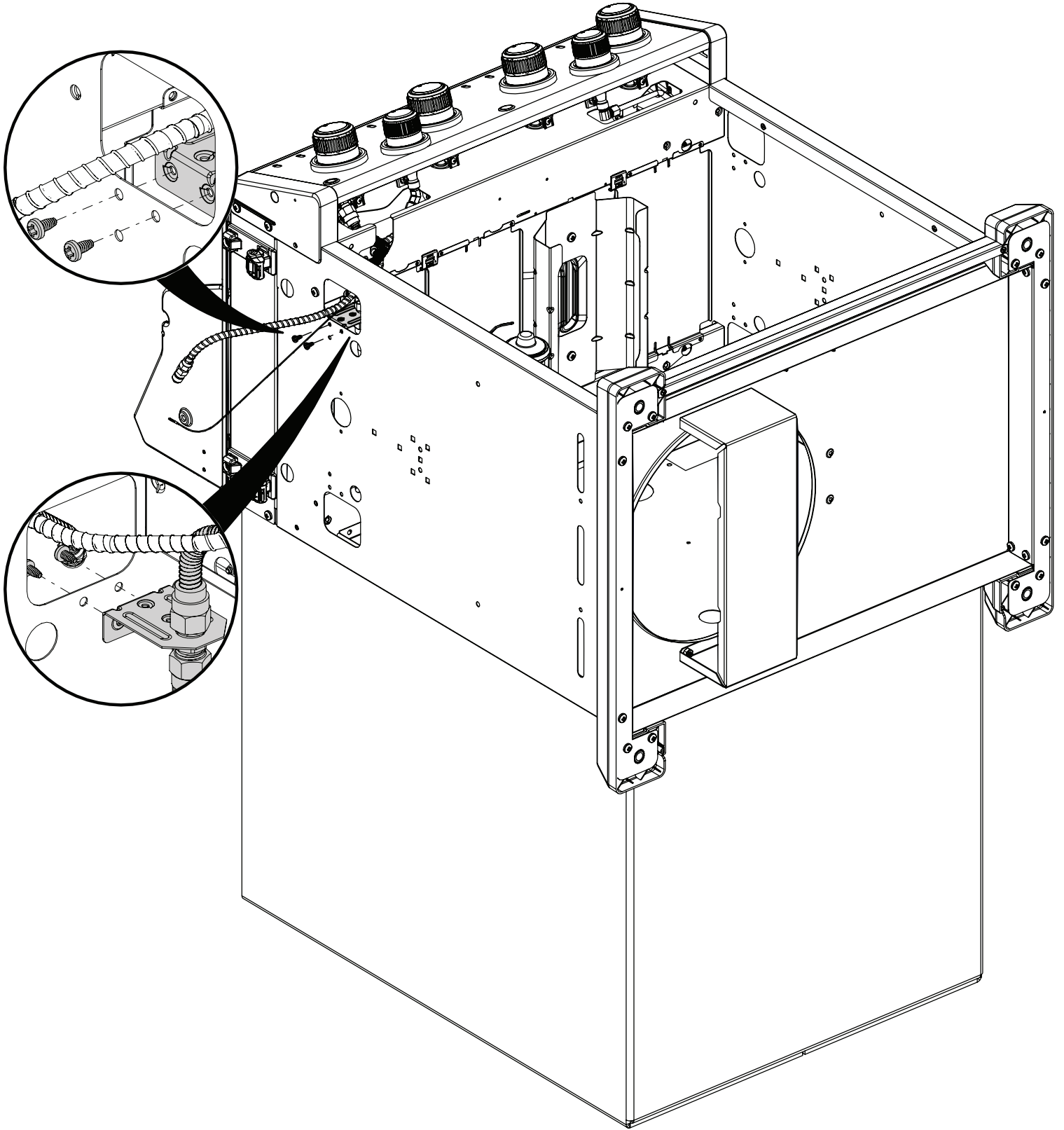


(1)

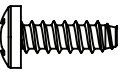


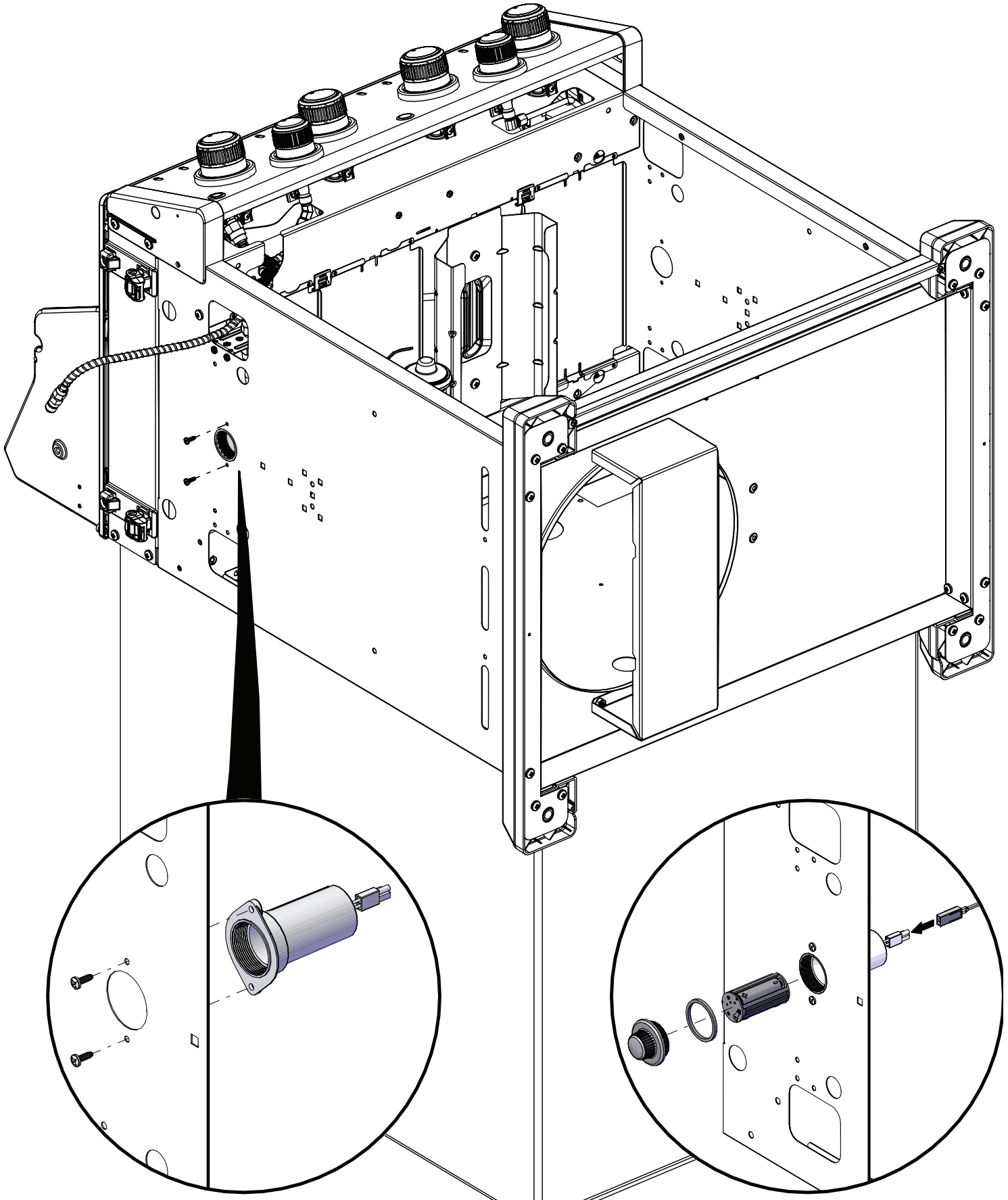
8

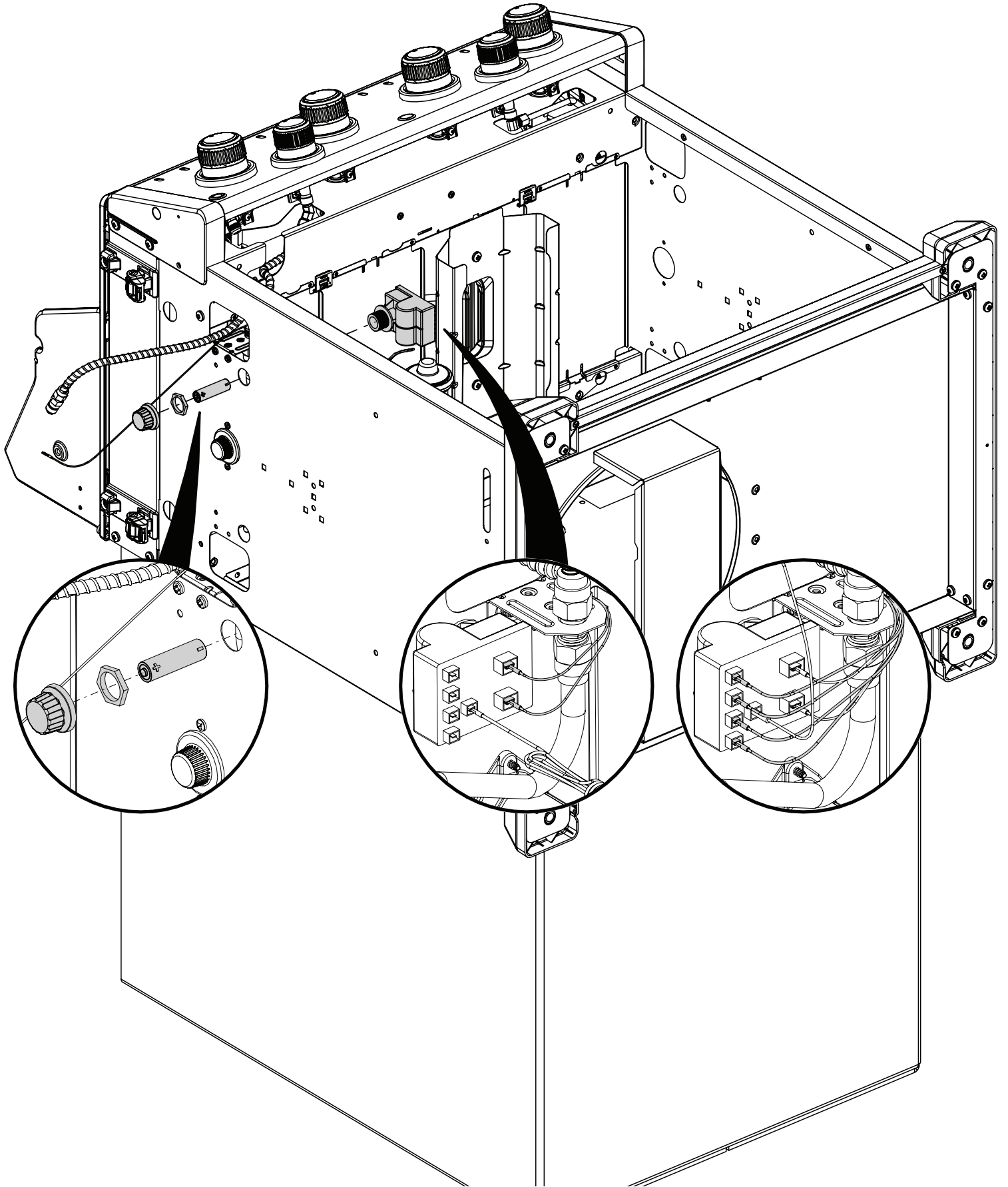
(2) 



9

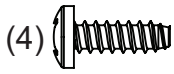
(2) 



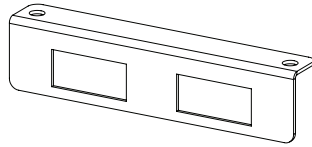




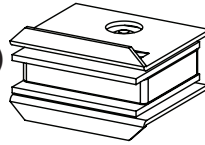
# 11



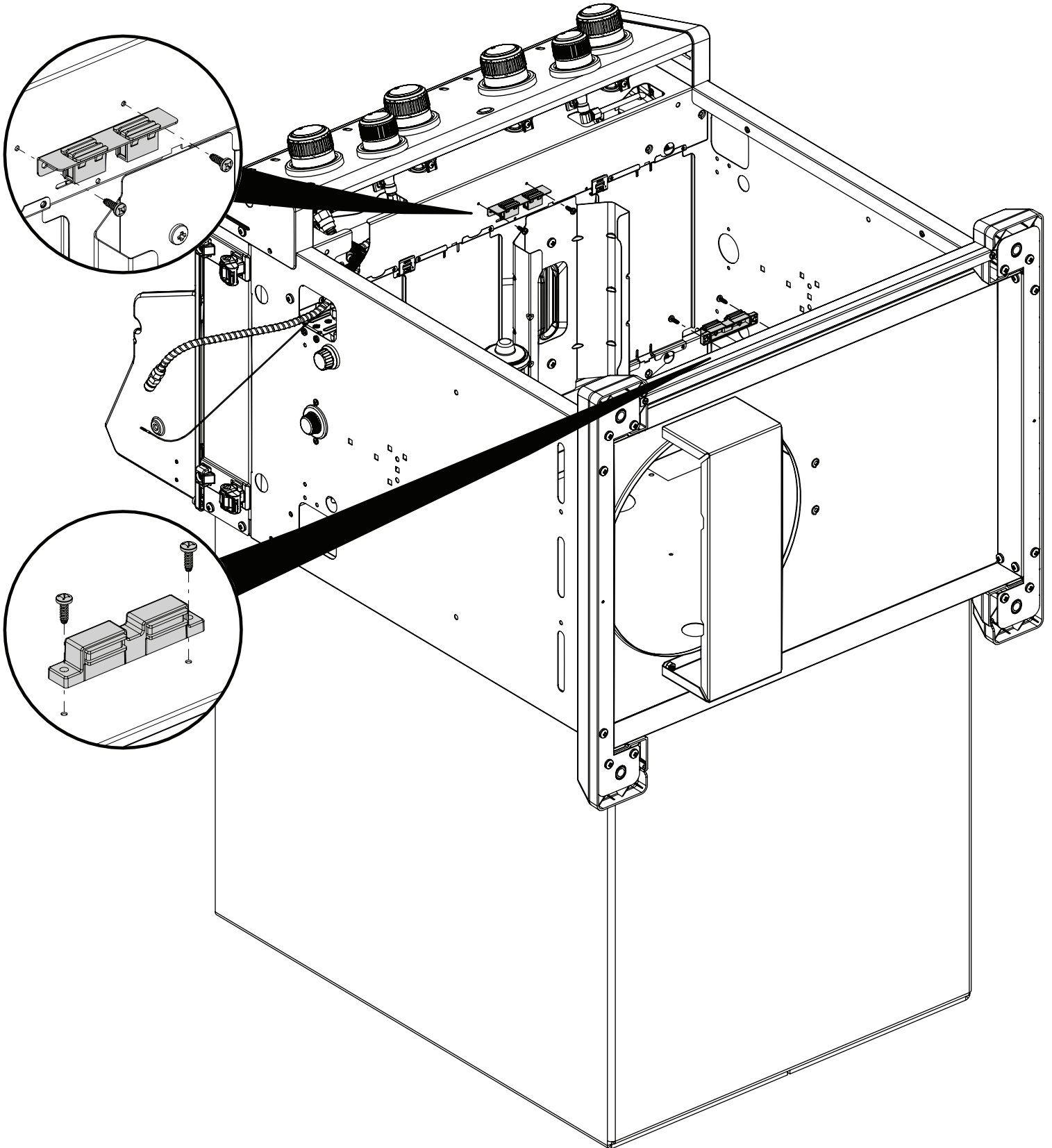
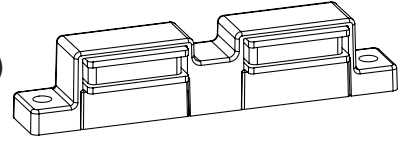
(1)



(2)



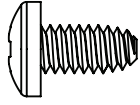
(1)



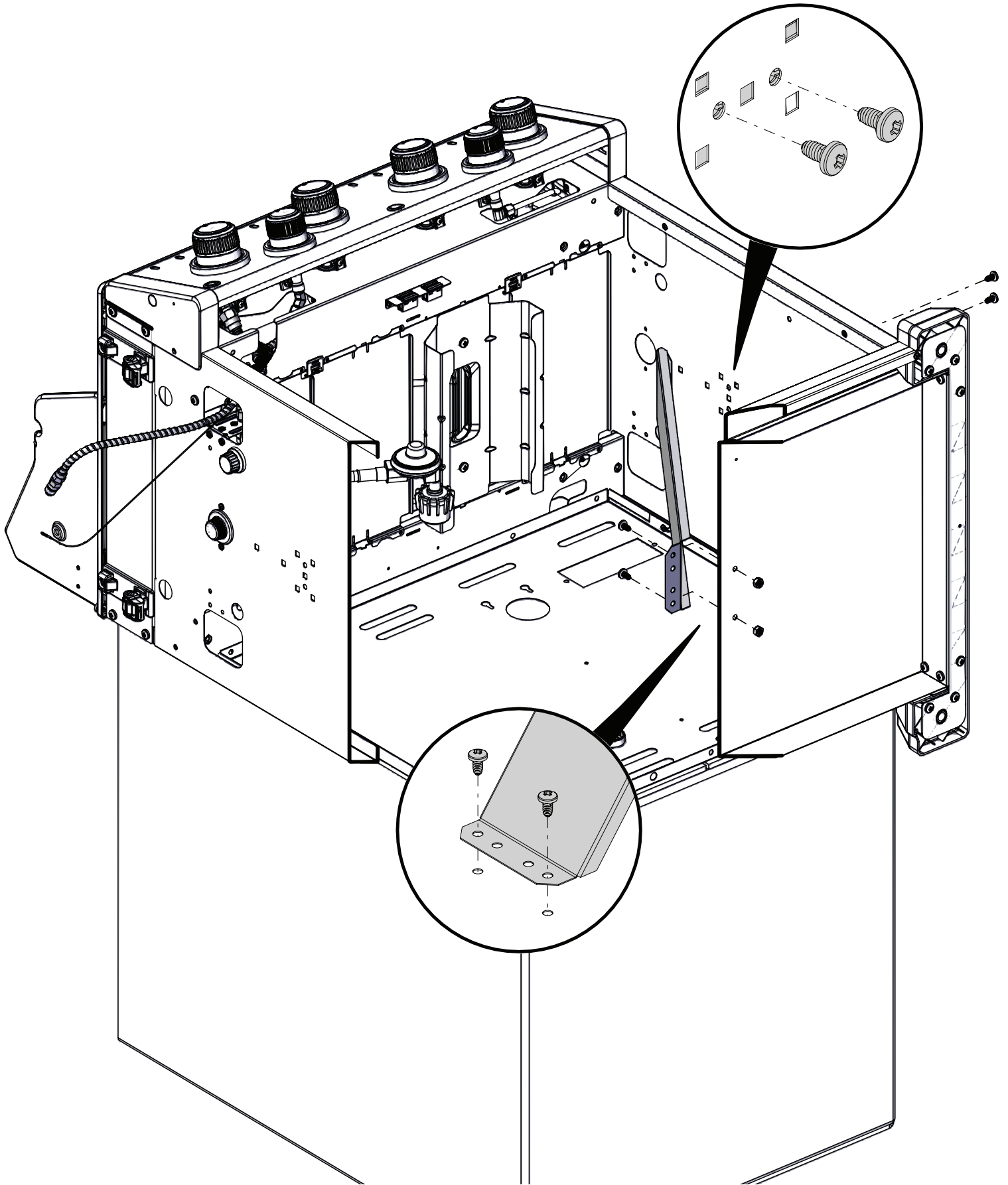
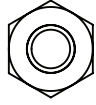


# 12

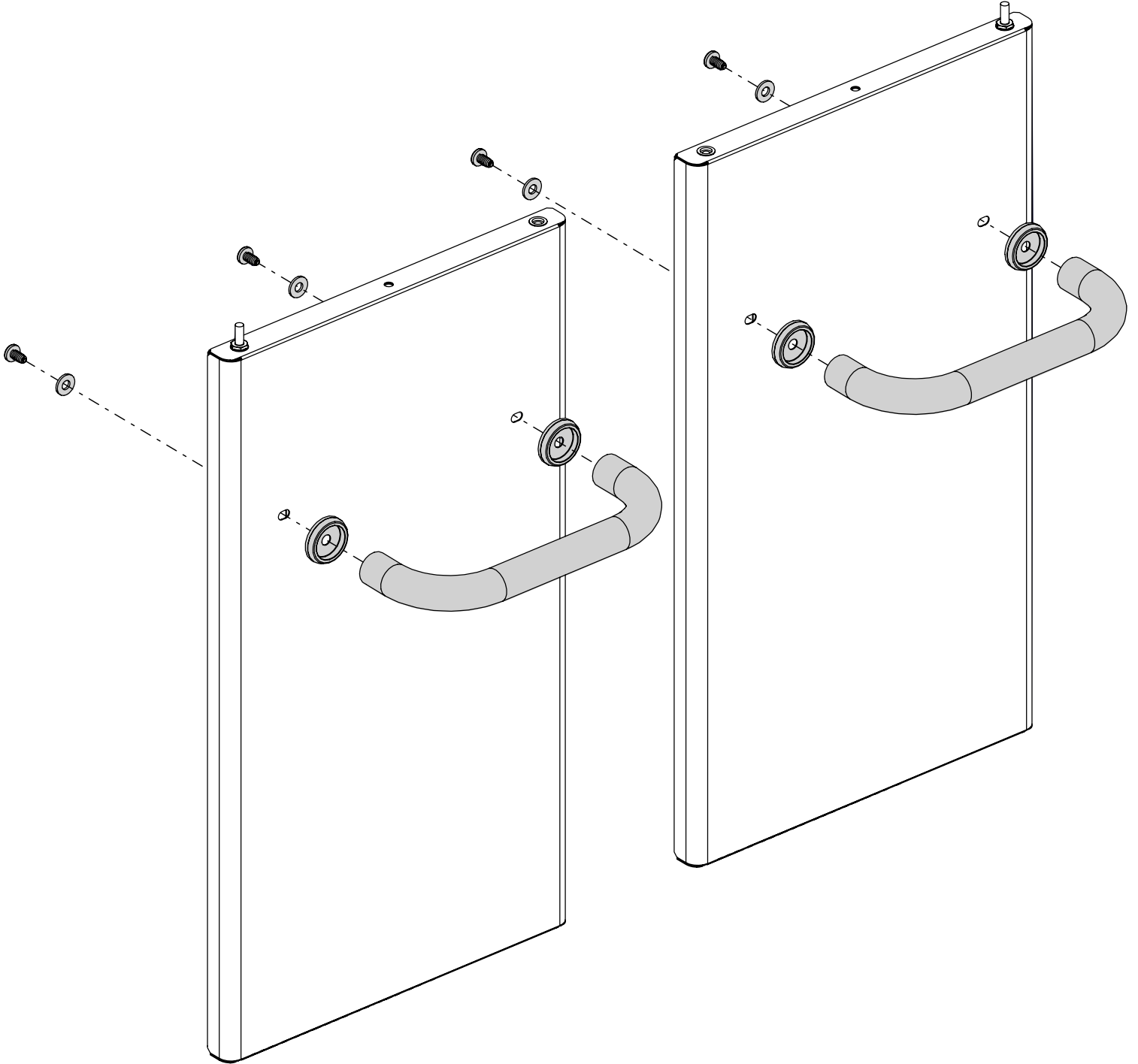
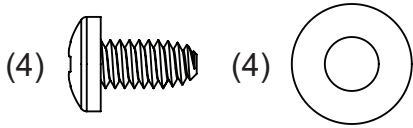
(4)



(2)

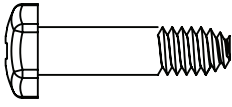


# 13

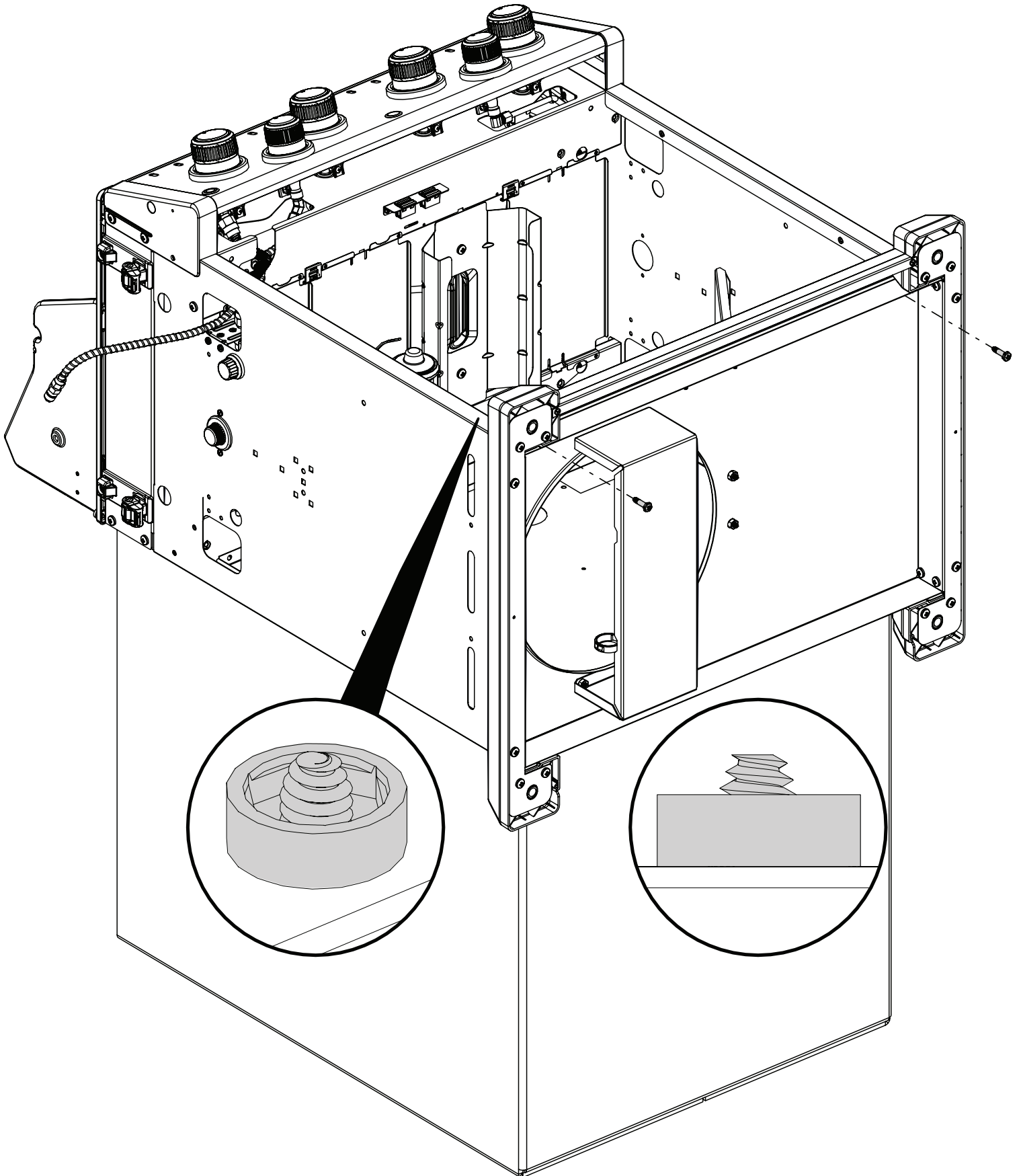
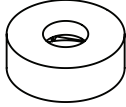


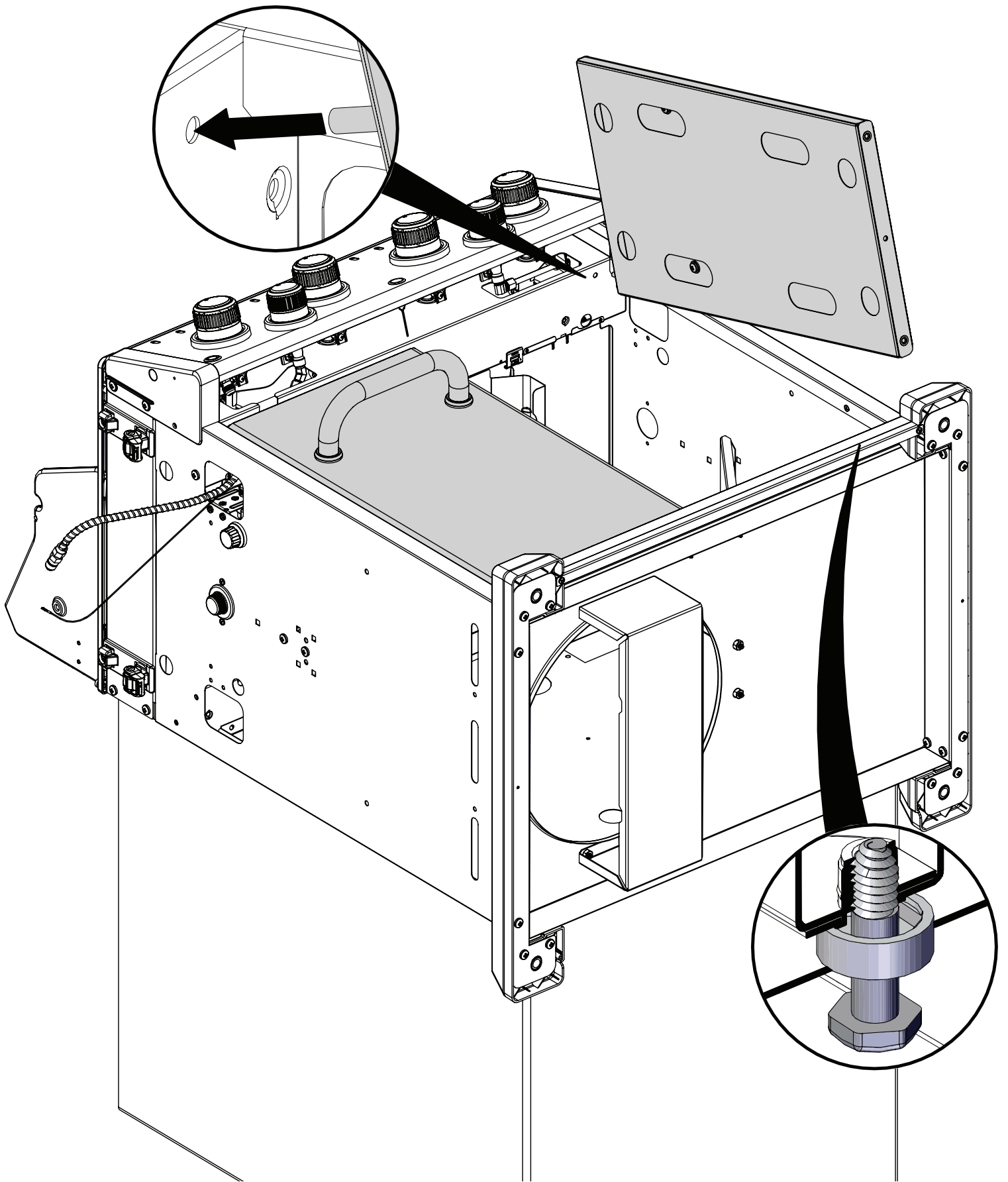
# 14

(2)



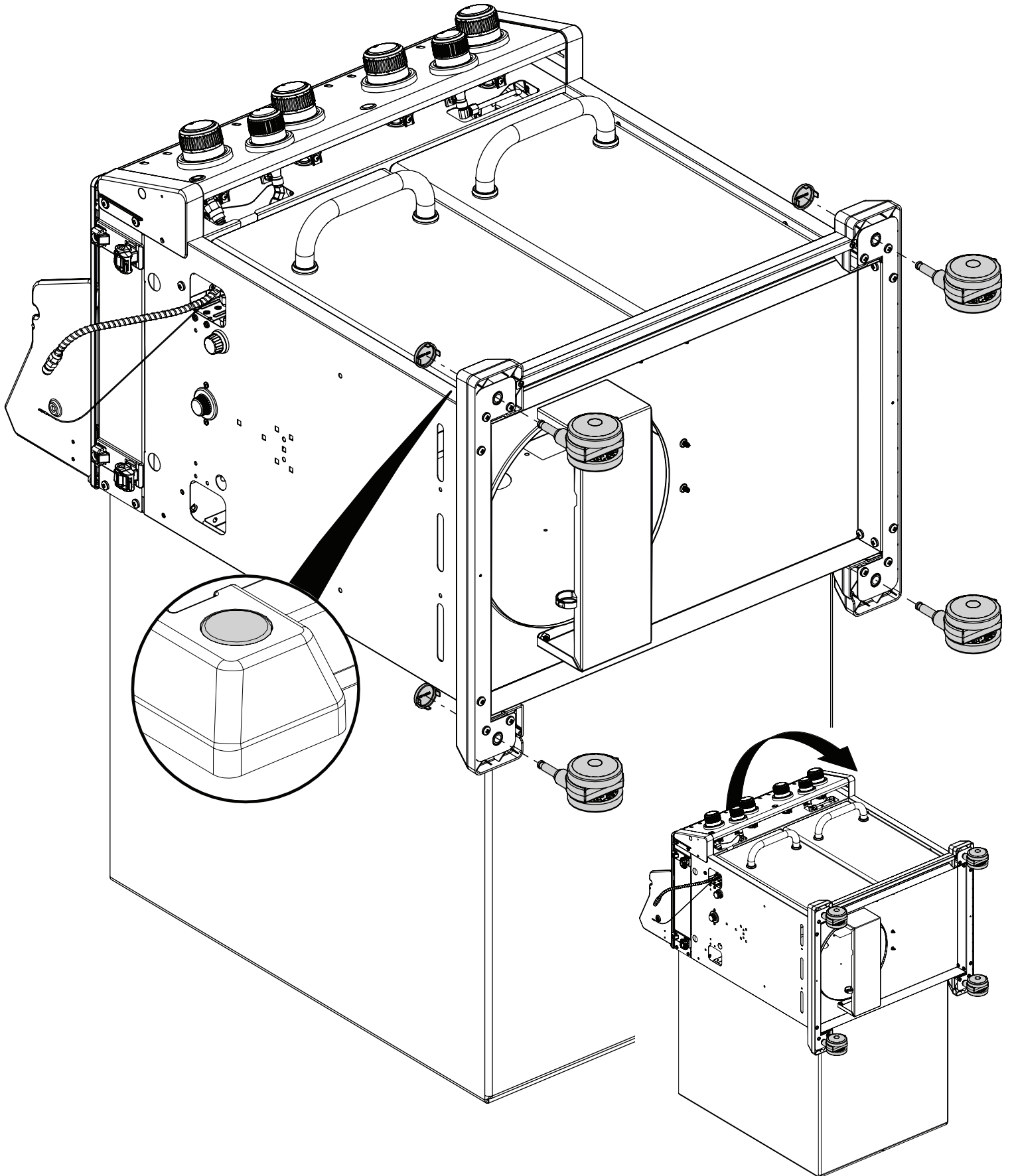
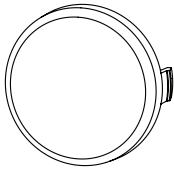
(2)





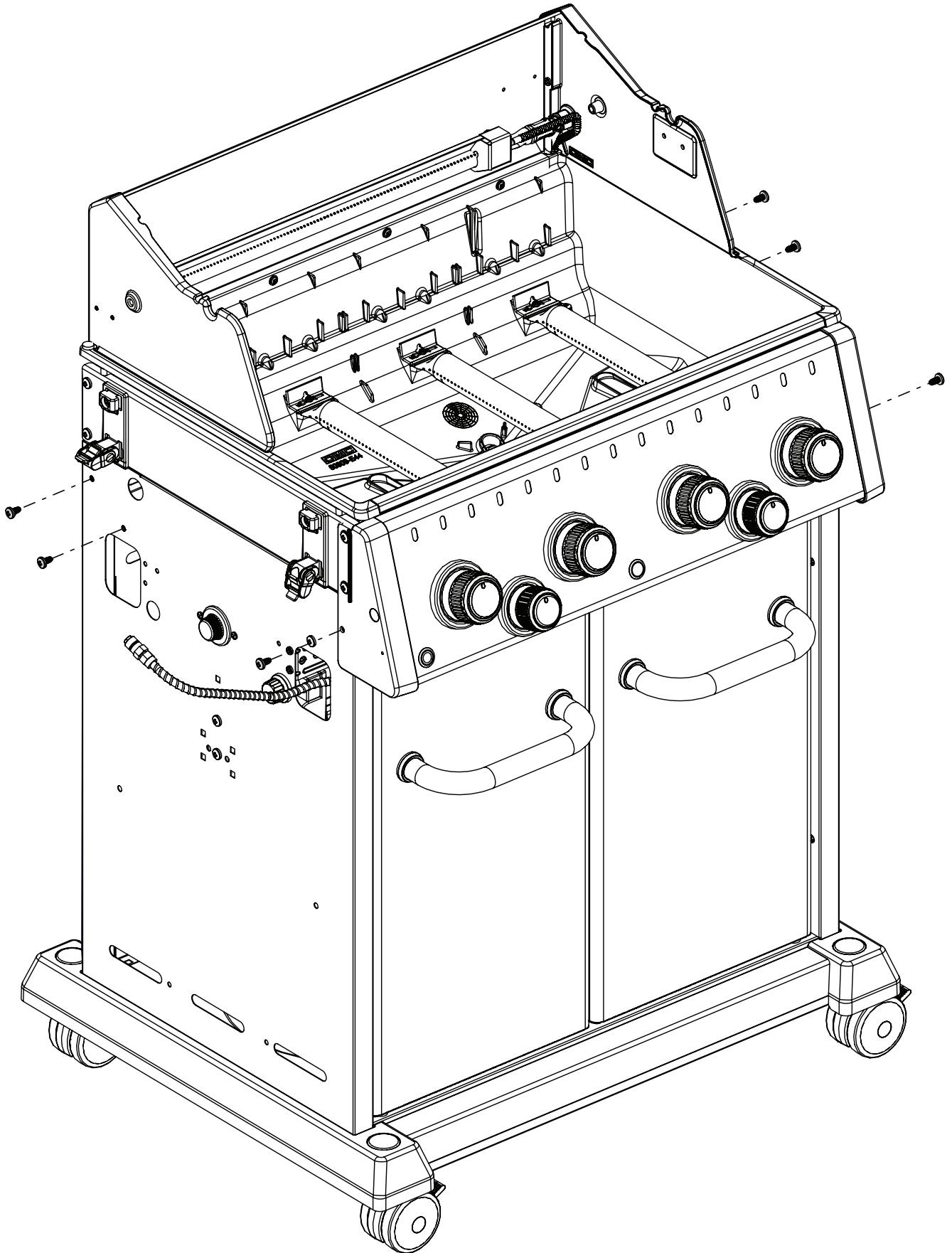
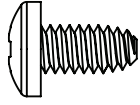
# 16

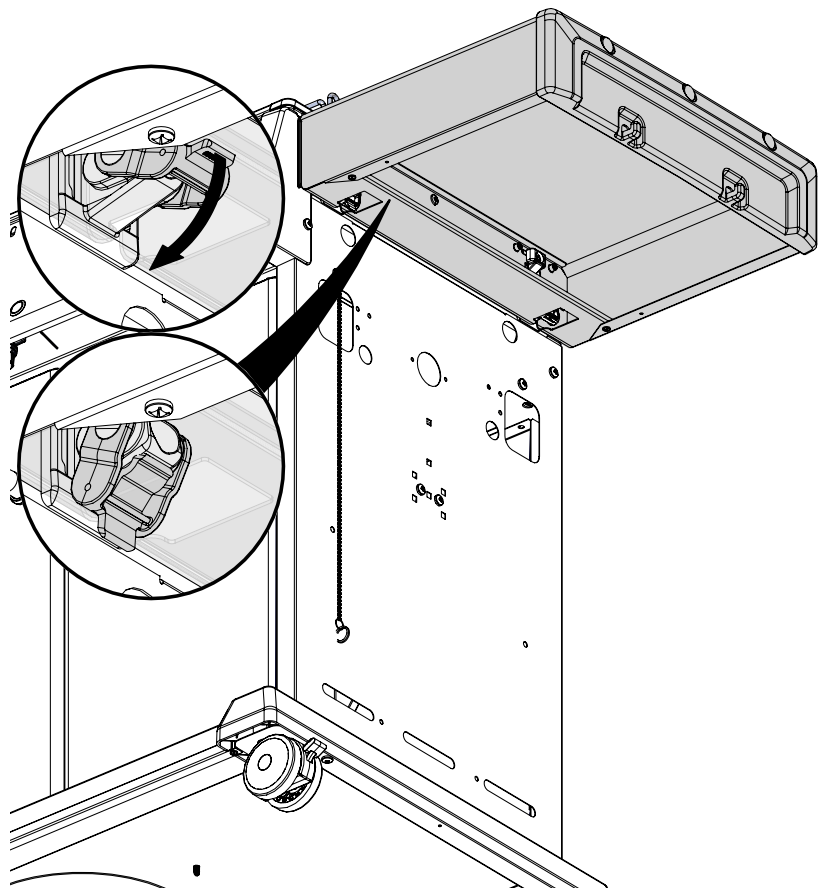
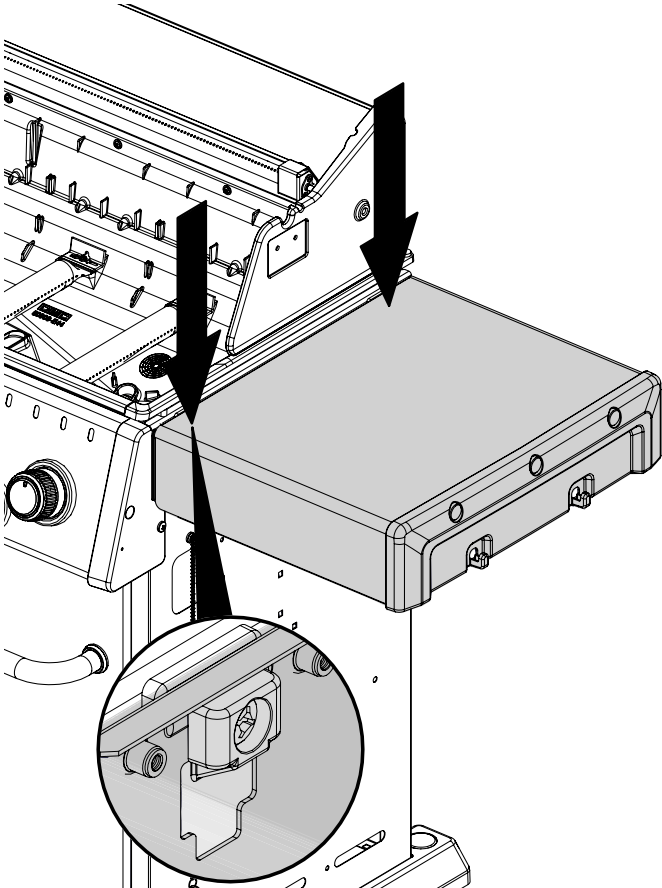
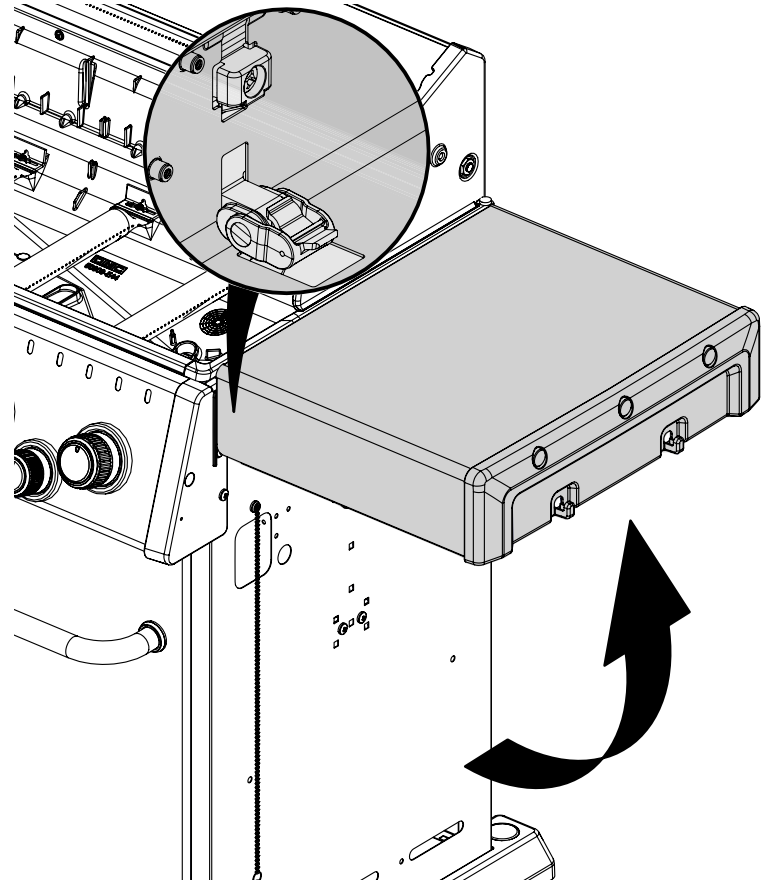
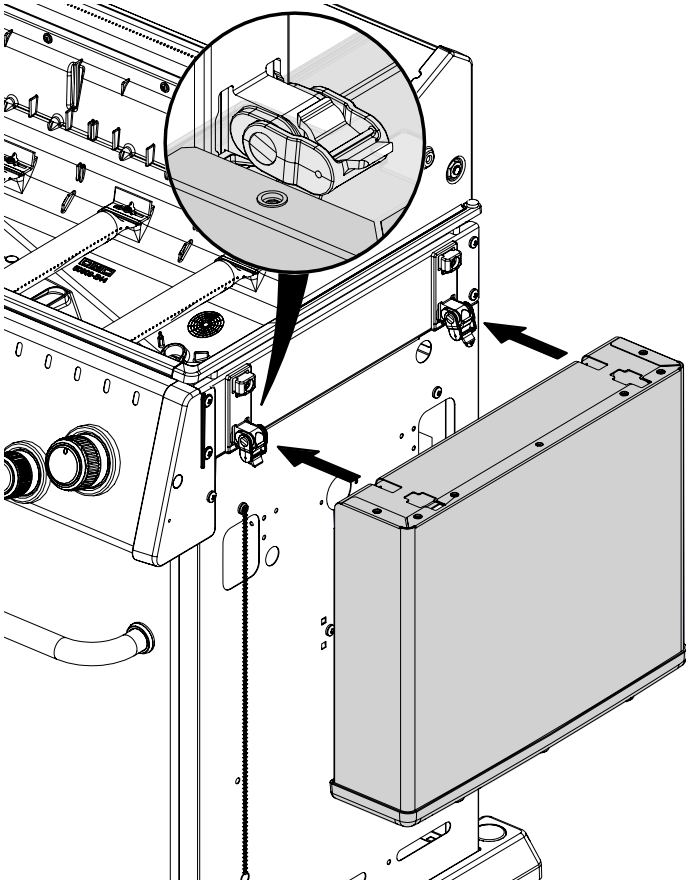
(4)



# 17

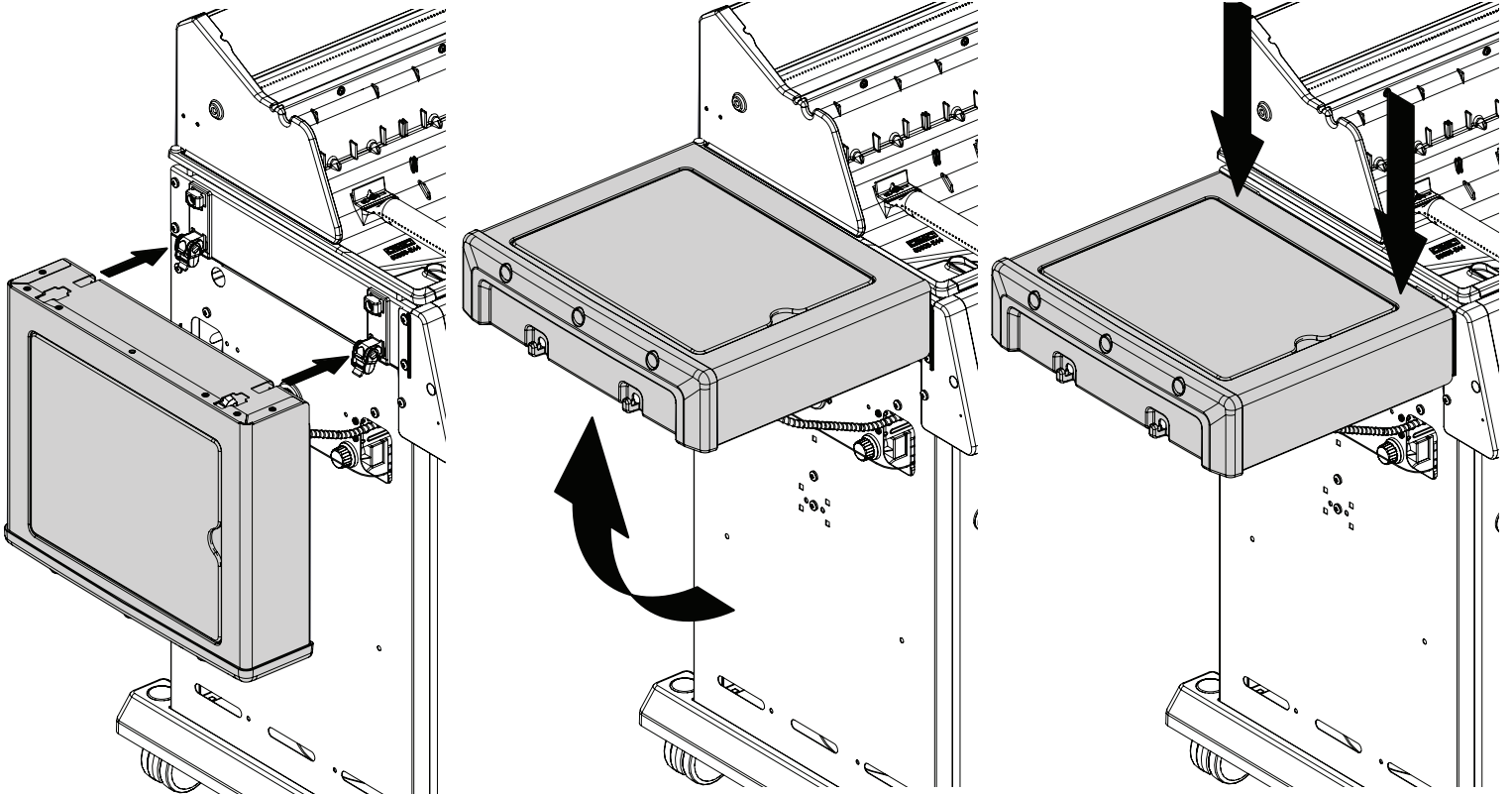
(6)



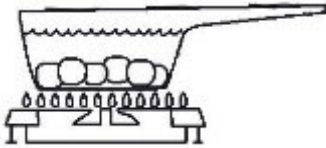




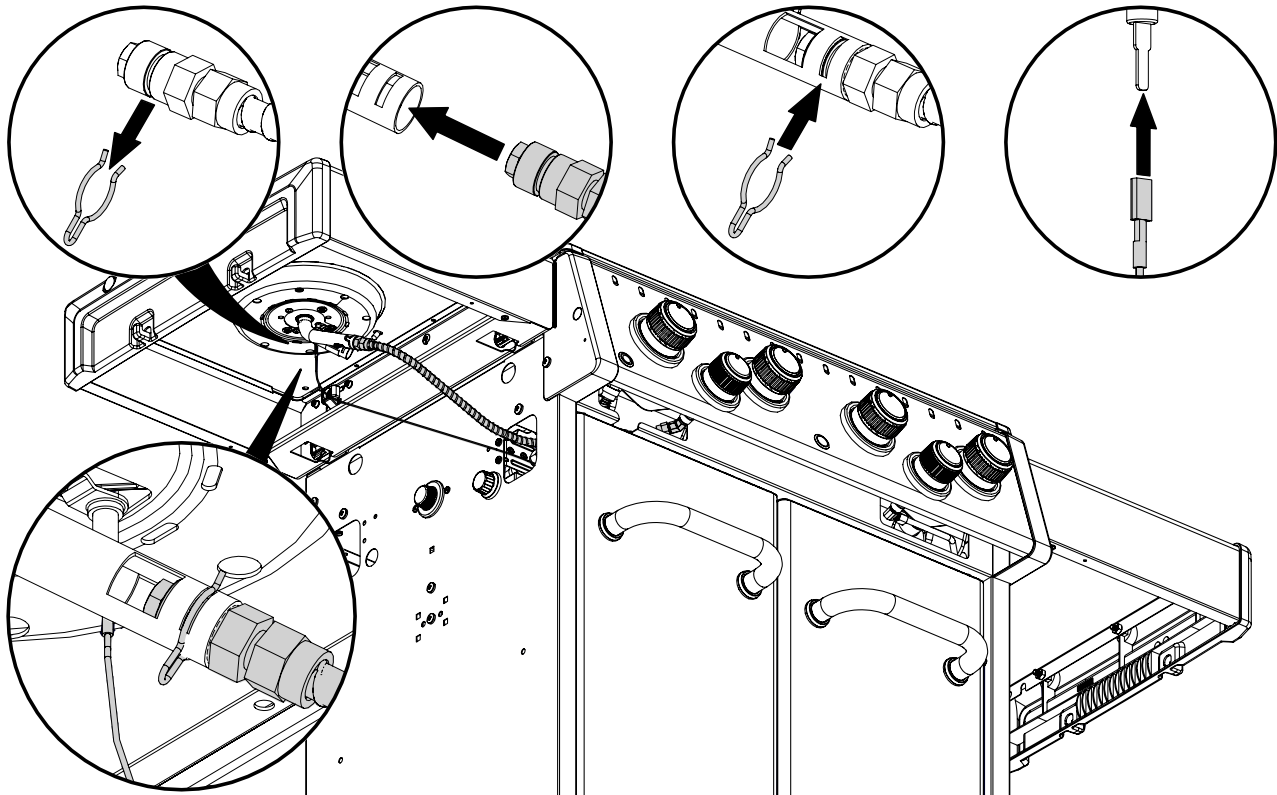
# 19



# 20

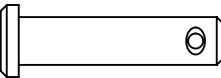
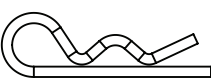


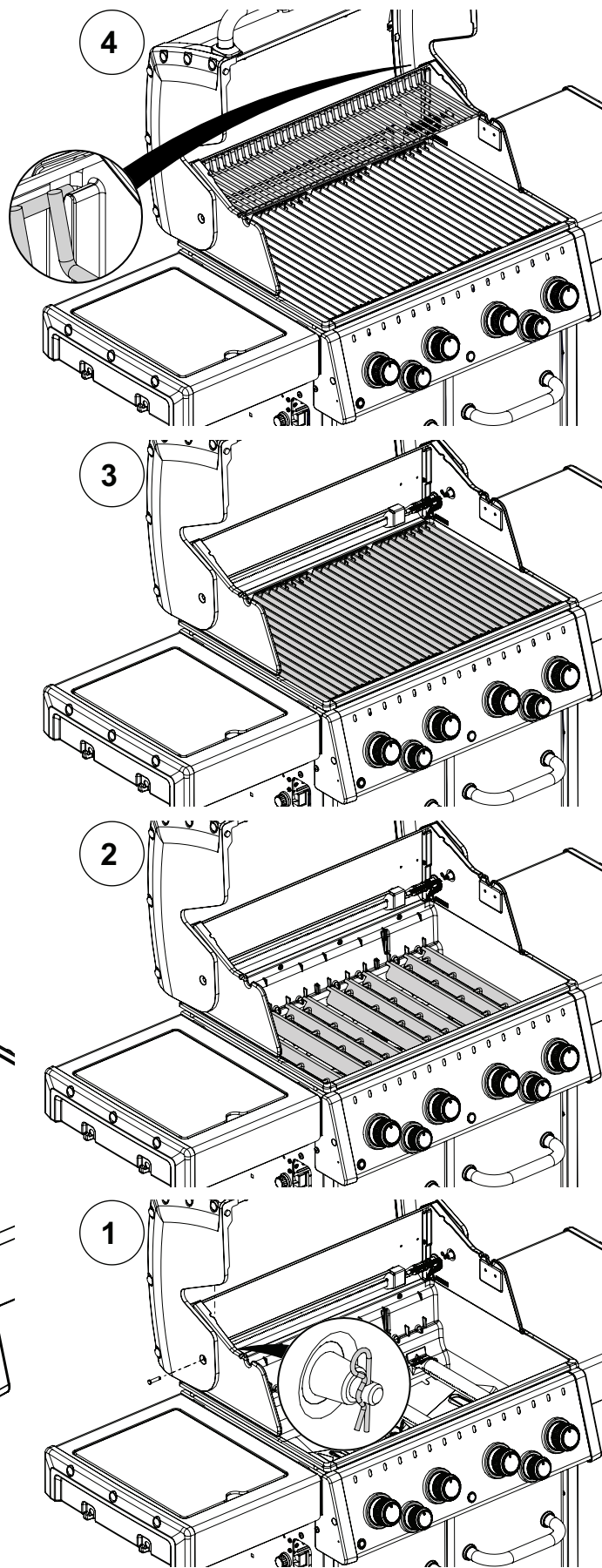
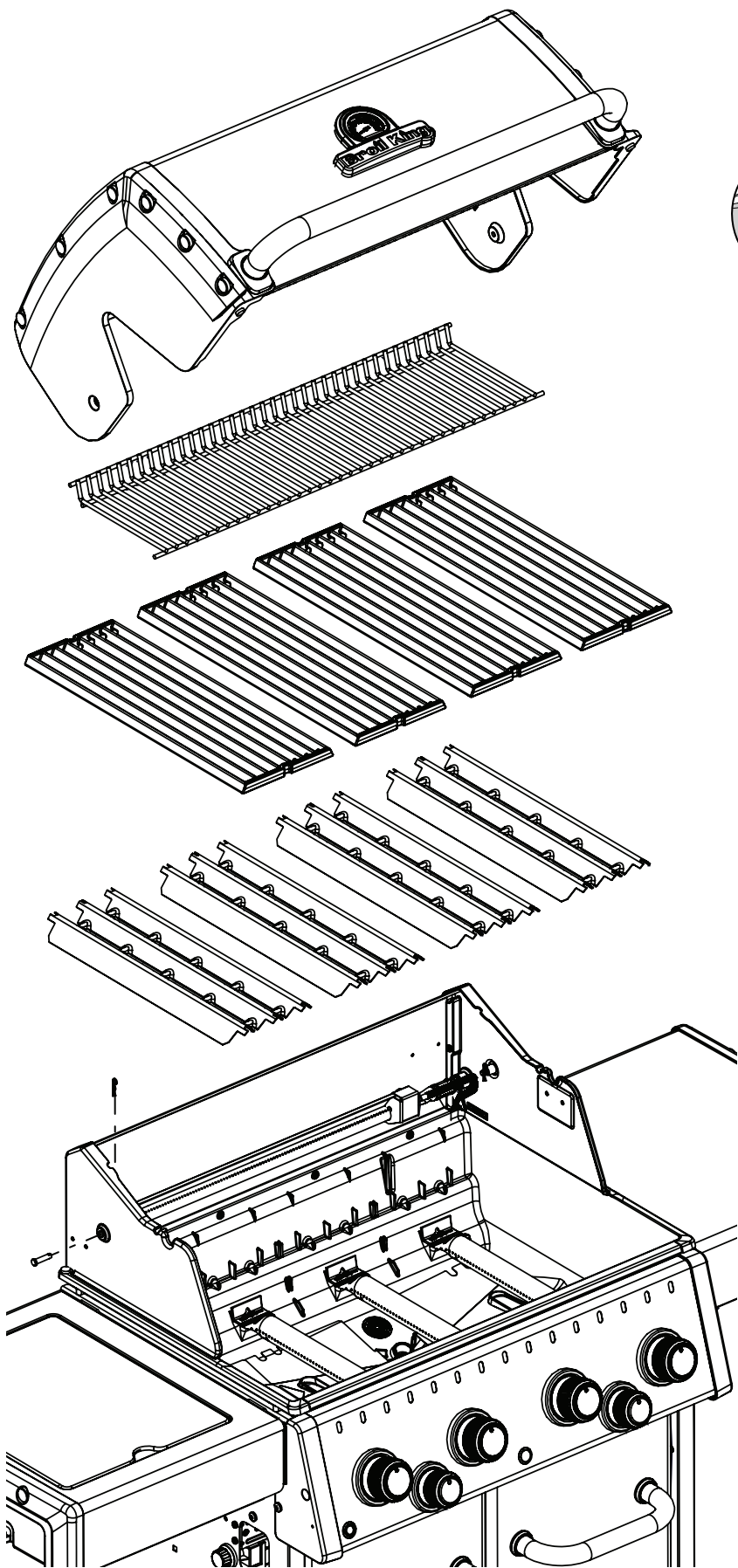
(1) 

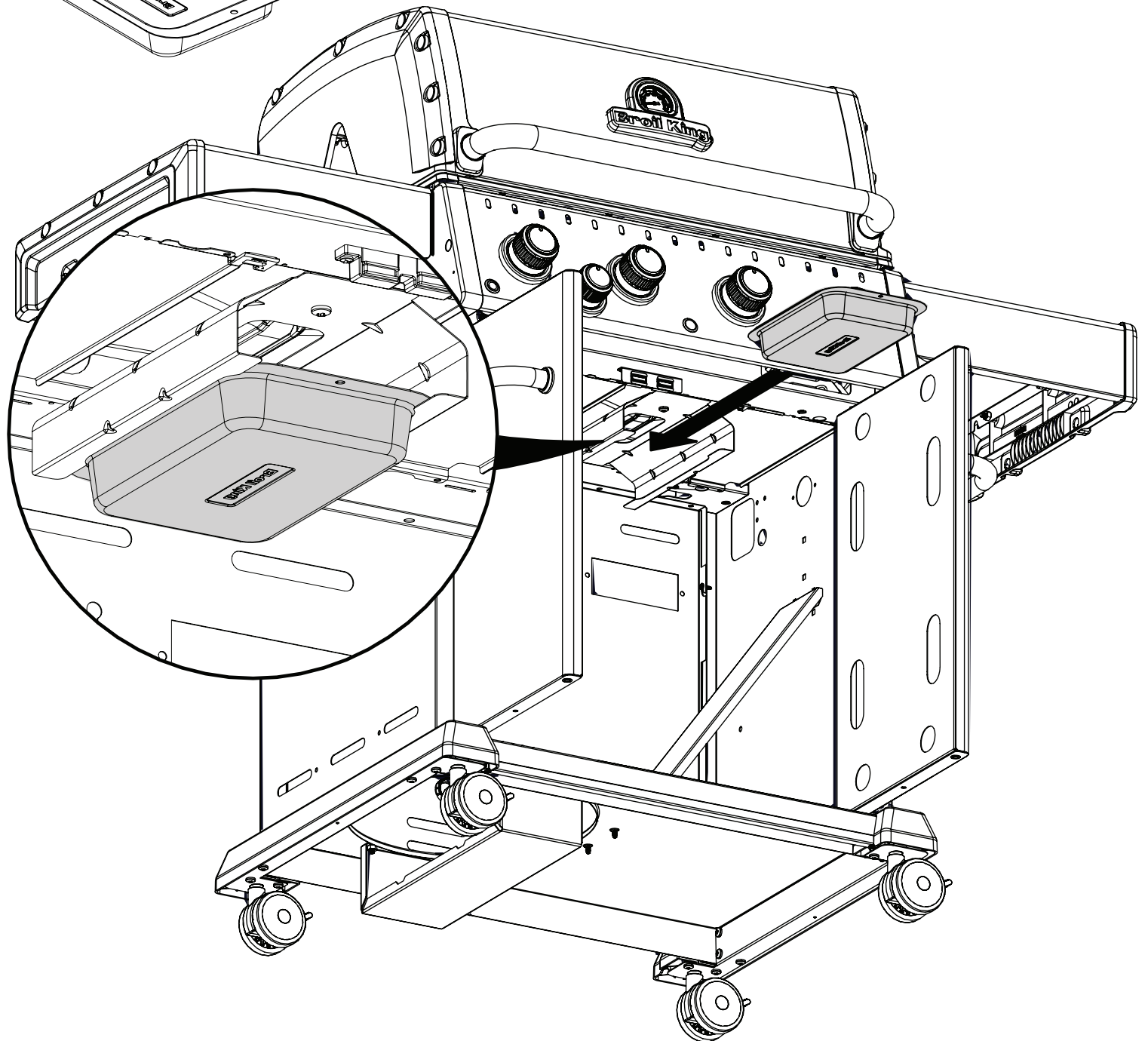
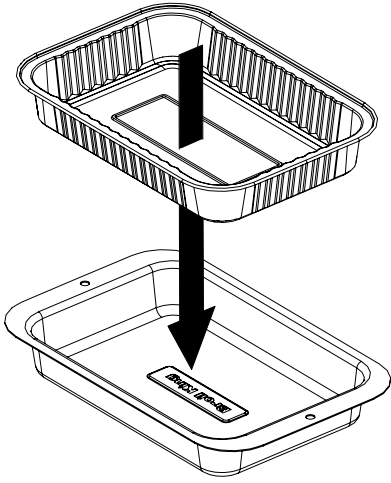




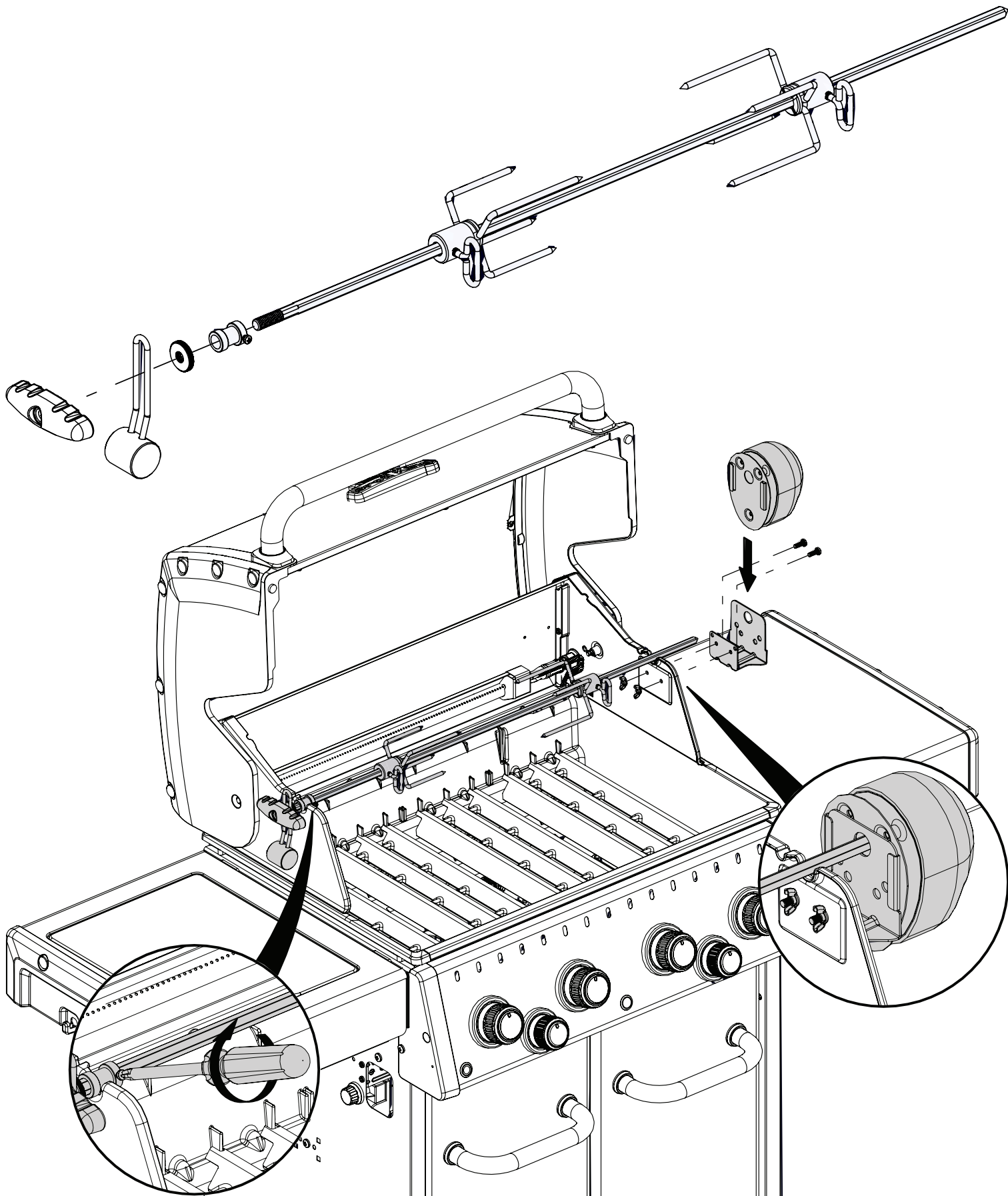
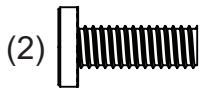
# 21

- (2) 
- (2) 

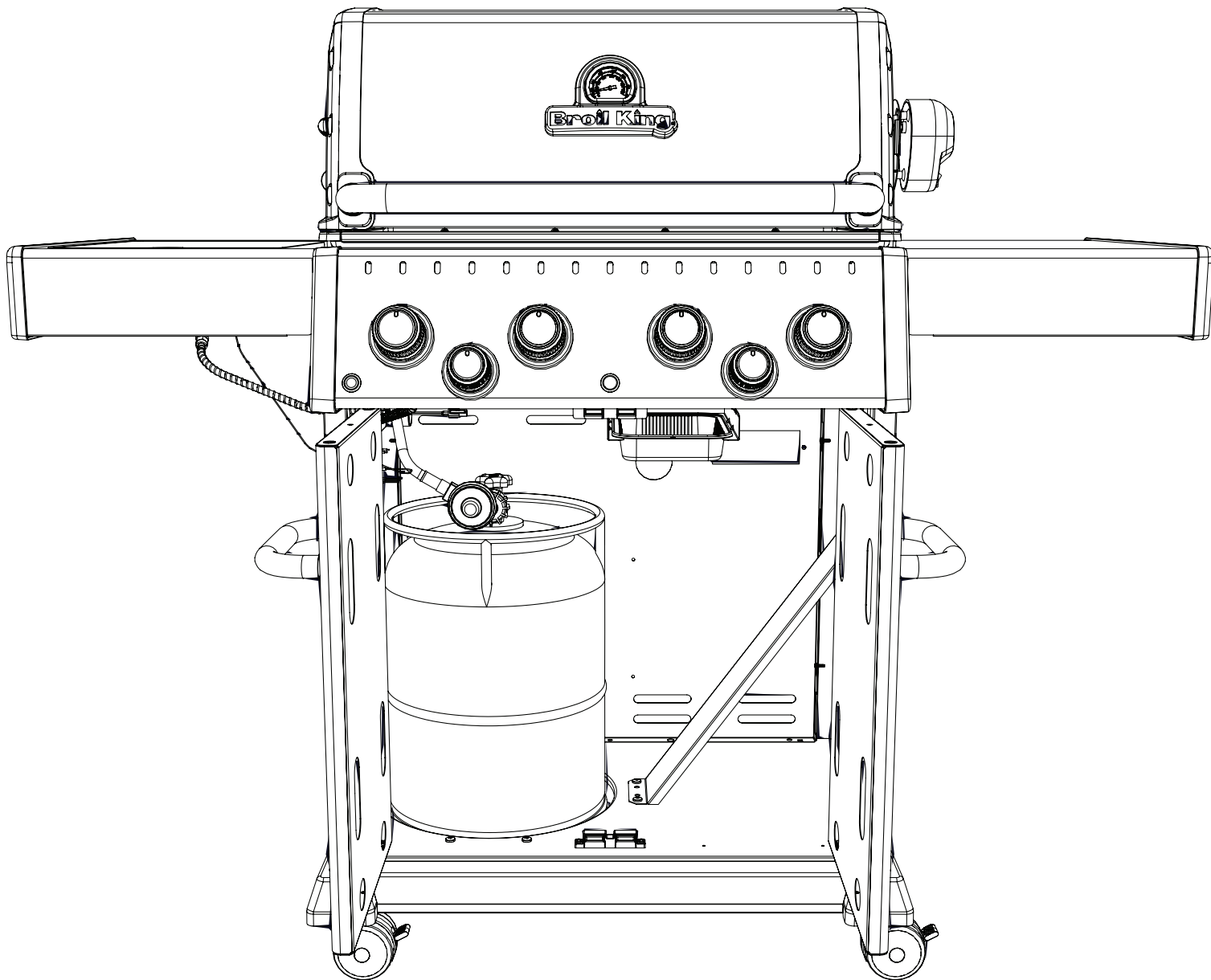
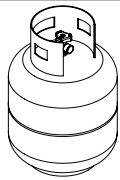




# 23



24



25

