

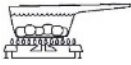
# Broil King®



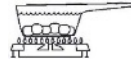
**Broil King**  
BARON 520  
8762-52  
8762-53



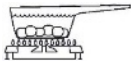
**Broil King**  
BARON S520  
8763-52  
8763-53



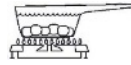
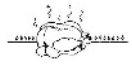
**Broil King**  
BARON 540  
8762-62  
8762-63



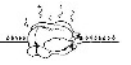
**Broil King**  
BARON S540  
8763-62  
8763-63




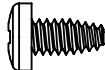
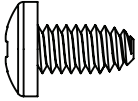
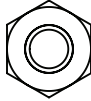
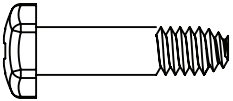

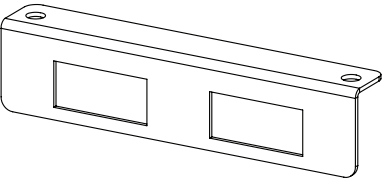
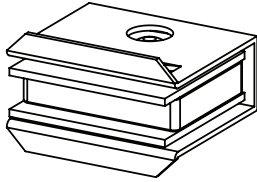
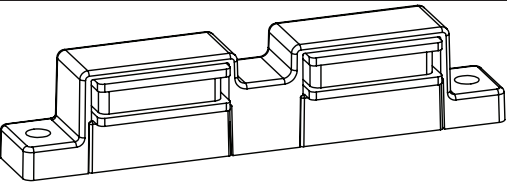
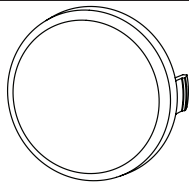
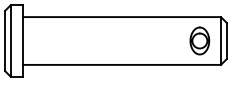
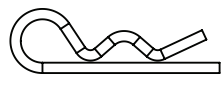
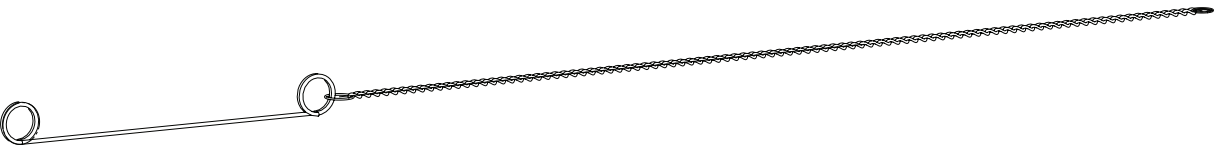
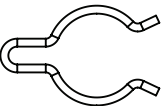
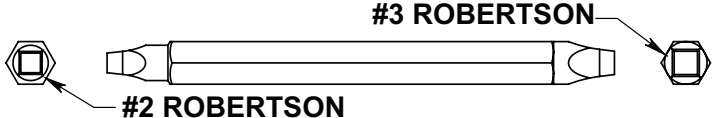
**Broil King**  
BARON 590  
8762-82  
8762-83  
8762-86



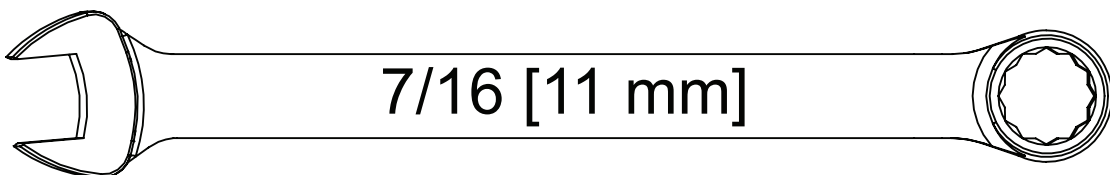
**Broil King**  
BARON S590  
8763-82  
8763-83  
8763-86



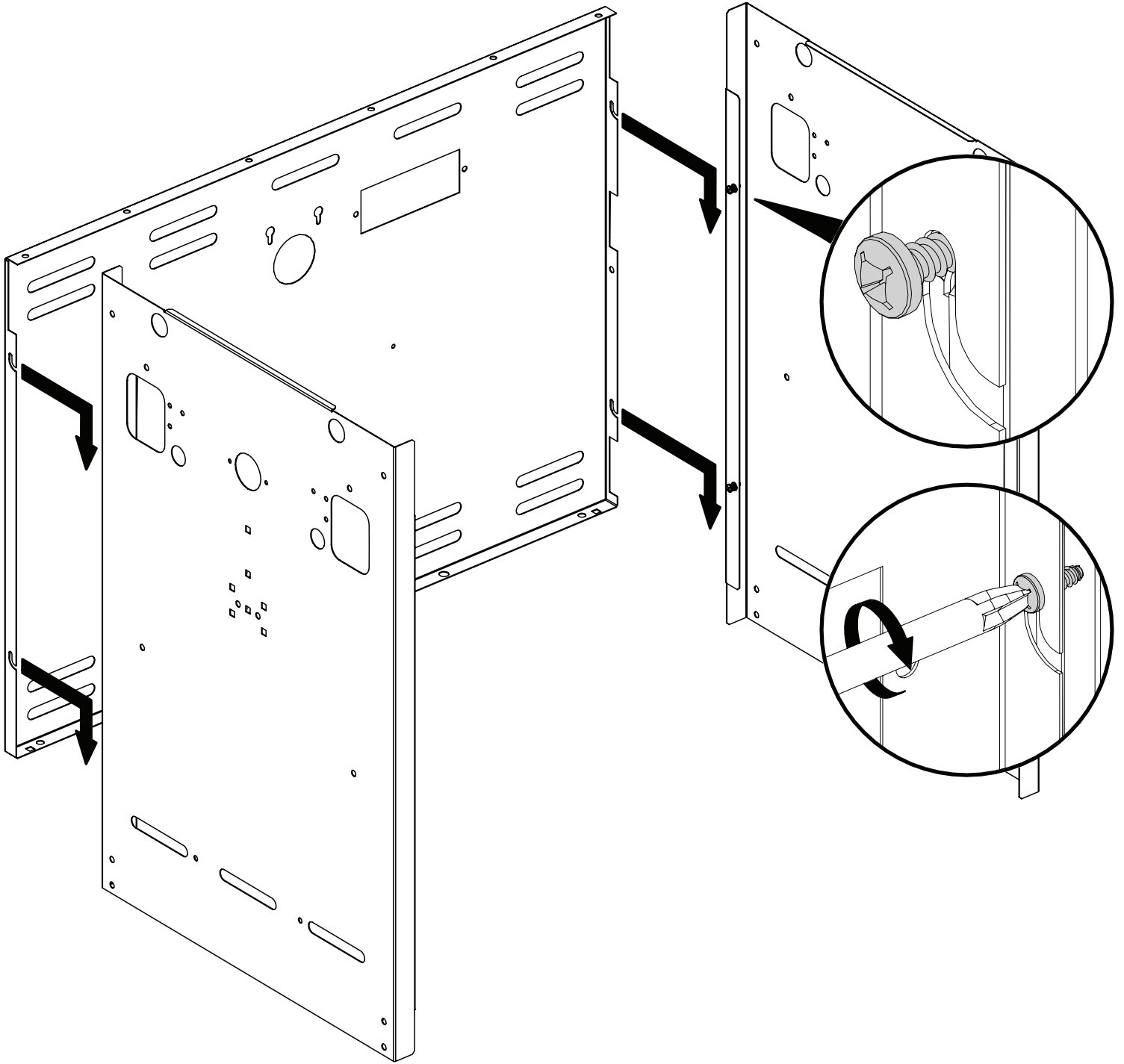
**HARDWARE INCLUDED / MATERIAL INCLUS**

S21124		(8)	Y-29304		(2)
Y-12865		(26)	Y-11793		(6)
Y-11551		(2)	Y-12124		(2)
56039-211		(1)	Y-12223		(2)
Y-12229		(1)	32001-151		(4)
S21235		(2)	S21233		(2)
20005-000					(1)
Y-11230		(1)	 <p>#3 ROBERTSON</p> <p>#2 ROBERTSON</p>		

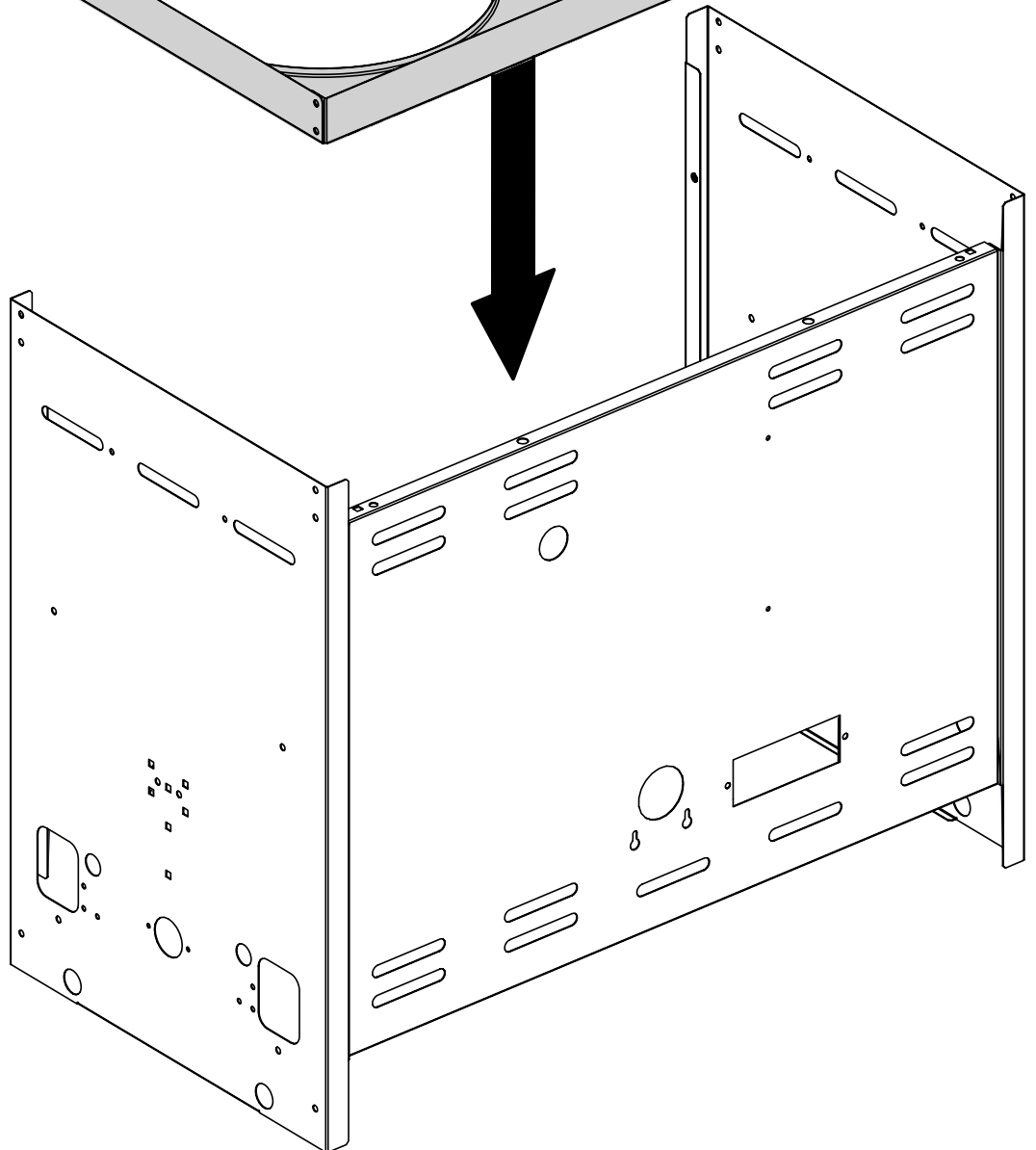
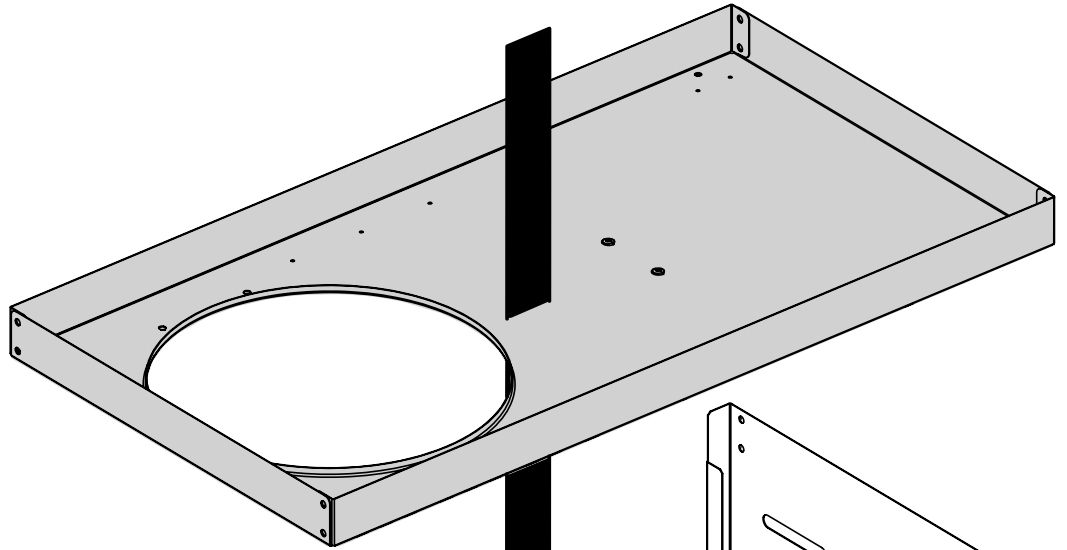
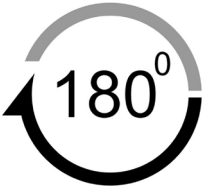
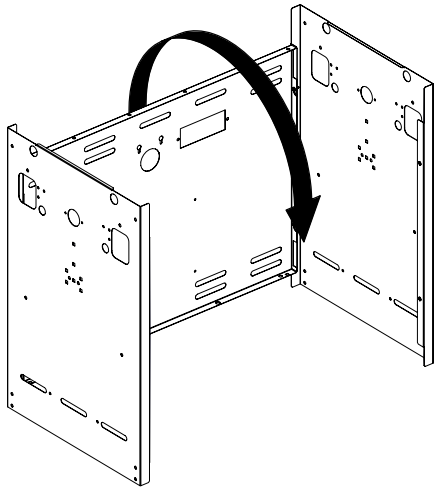
**TOOLS REQUIRED / OUTILS NECESSAIRES**




1

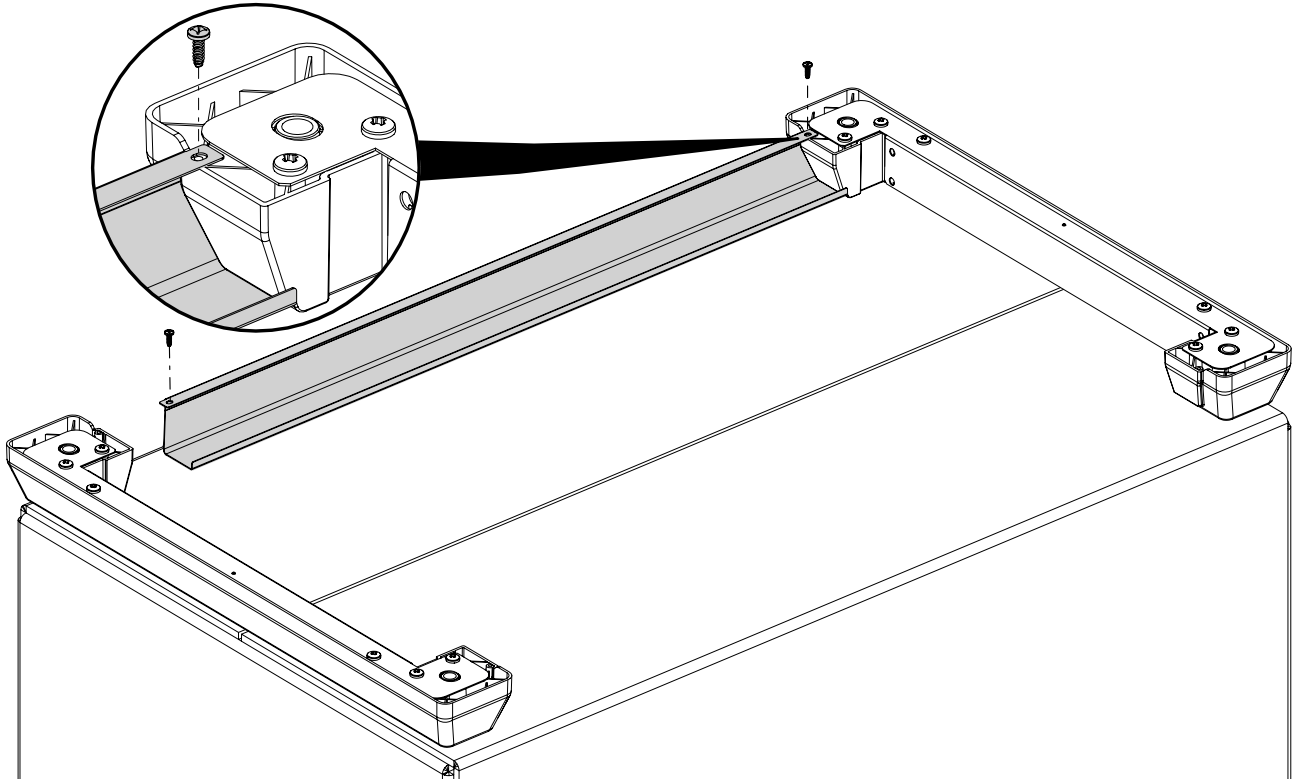


2

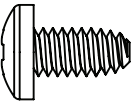


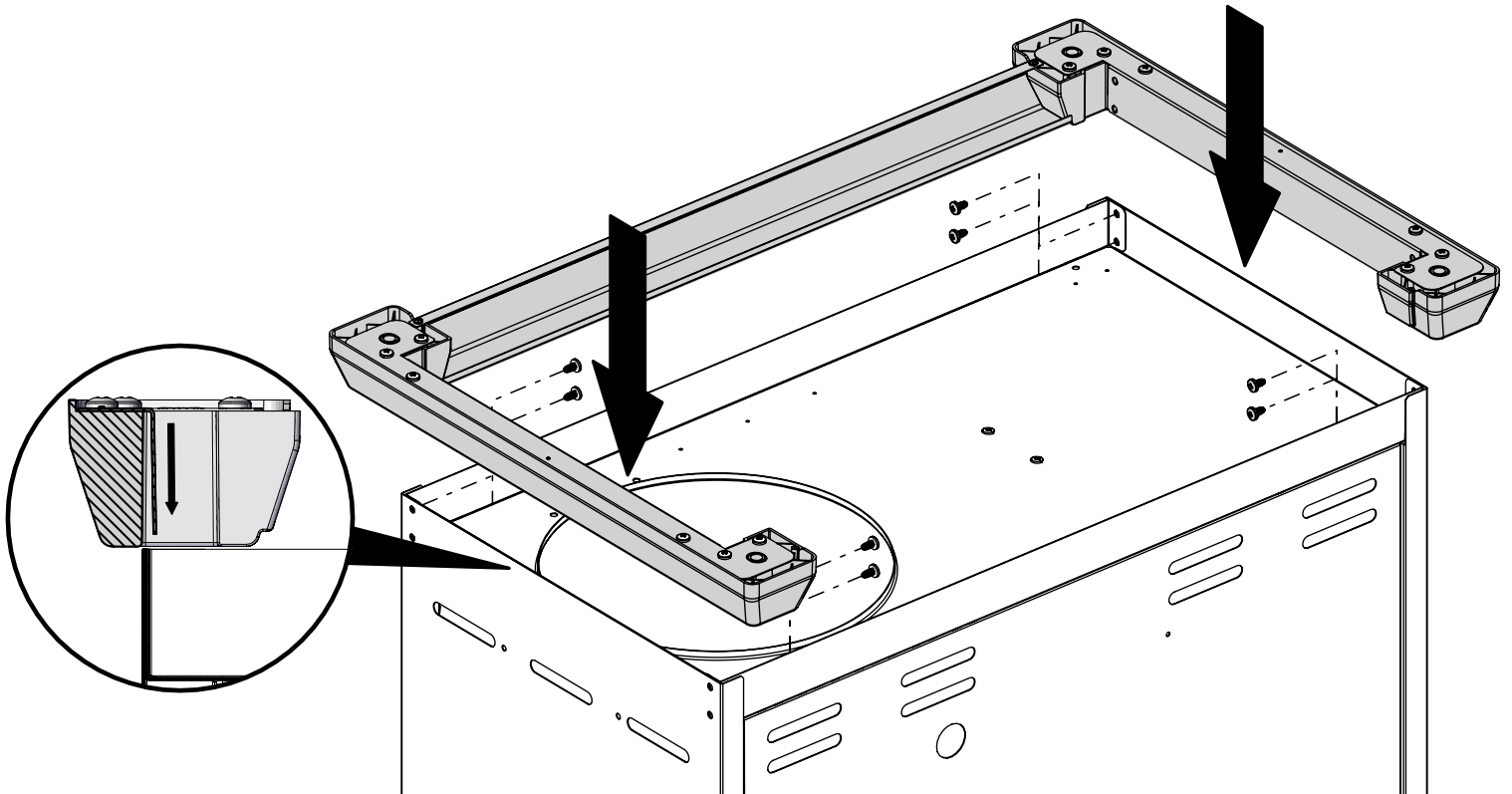
3

(2) 

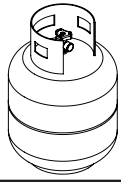


4

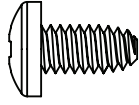
(8) 



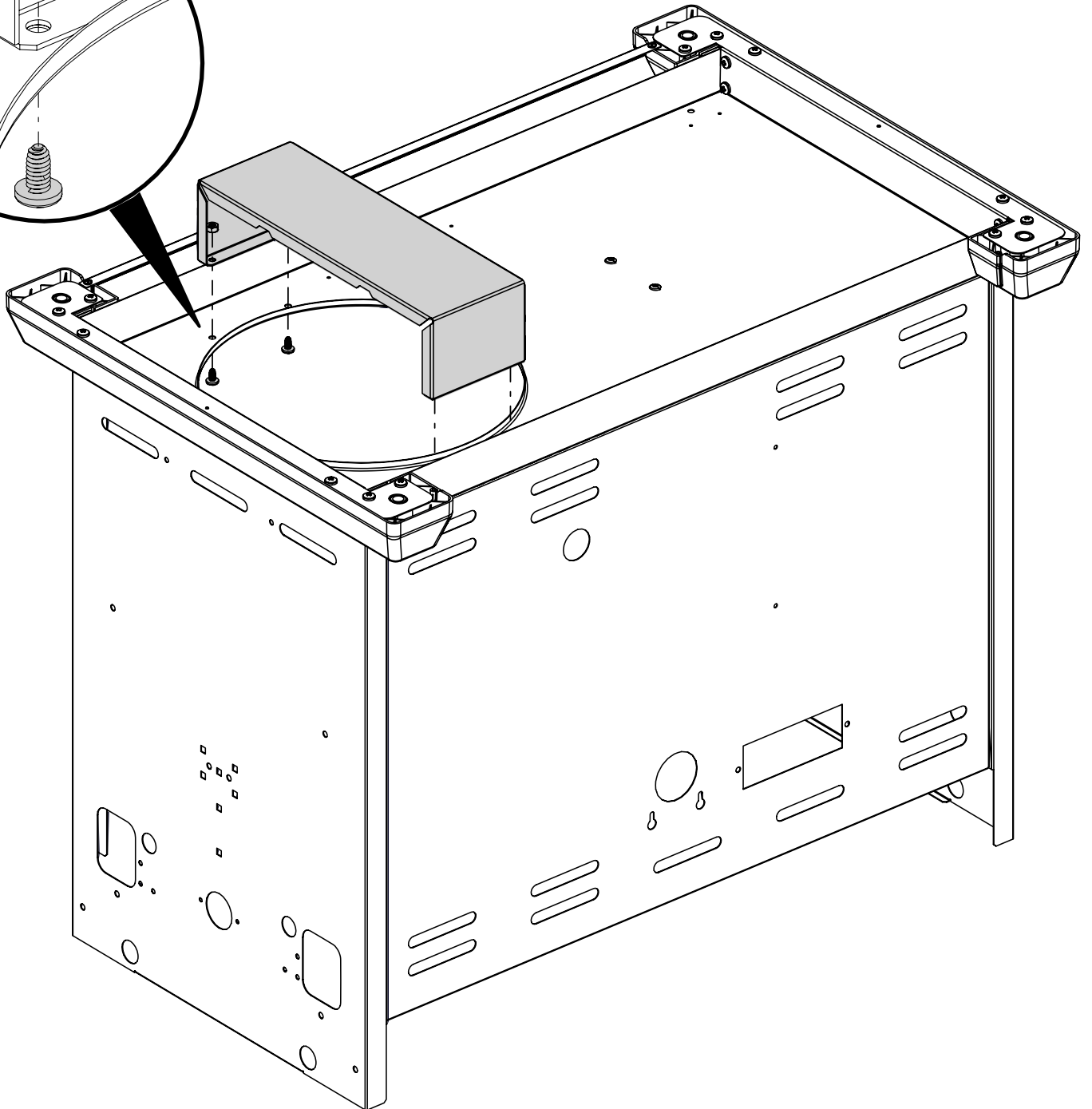
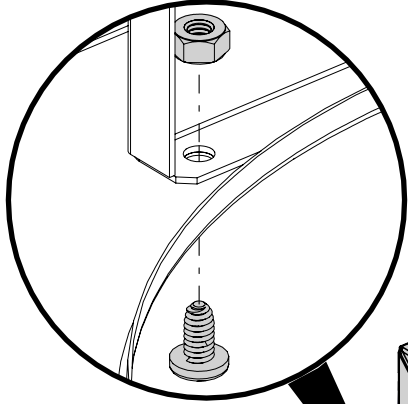
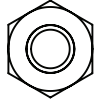
5



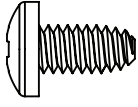
(4)

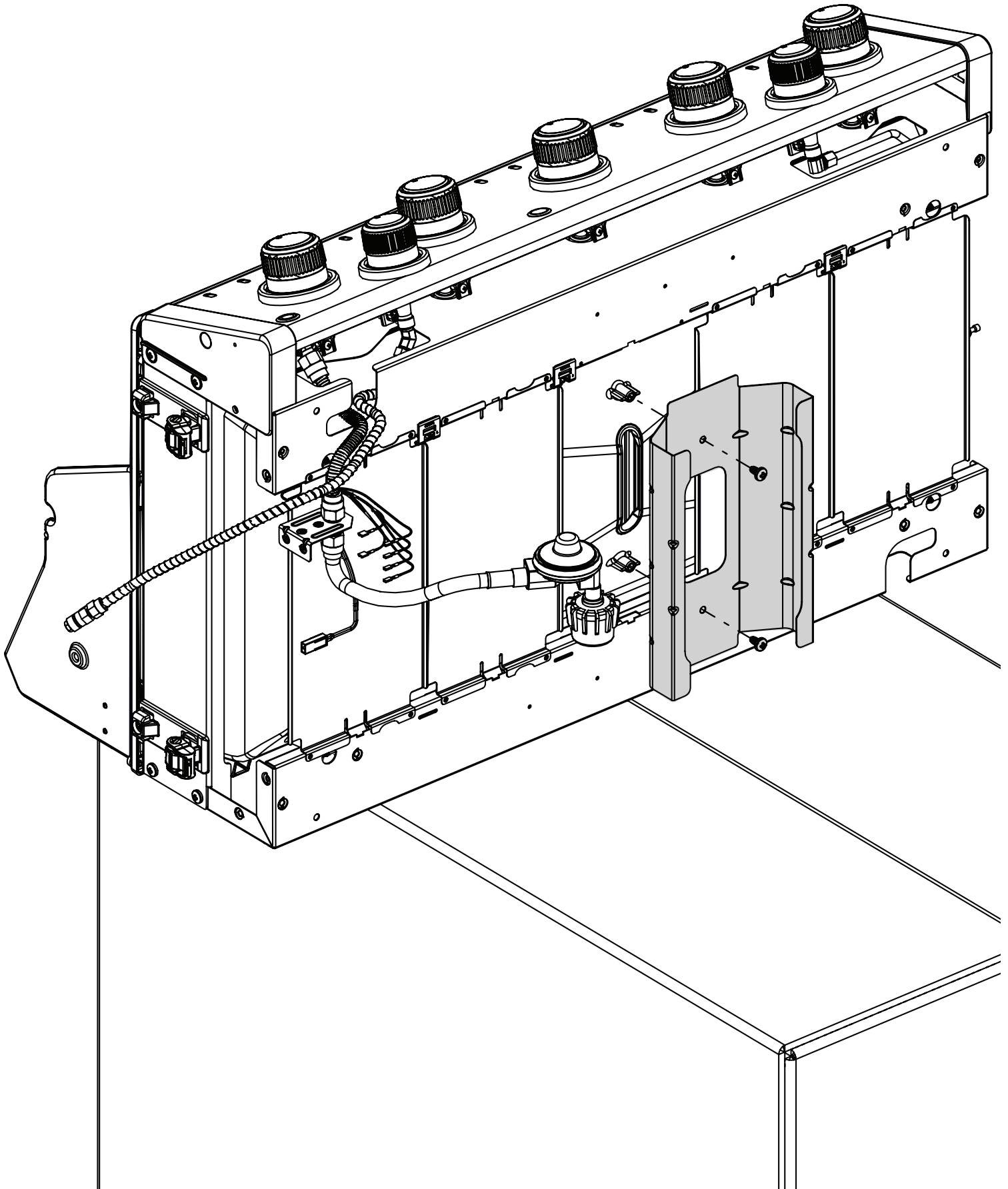


(4)

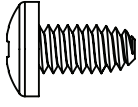


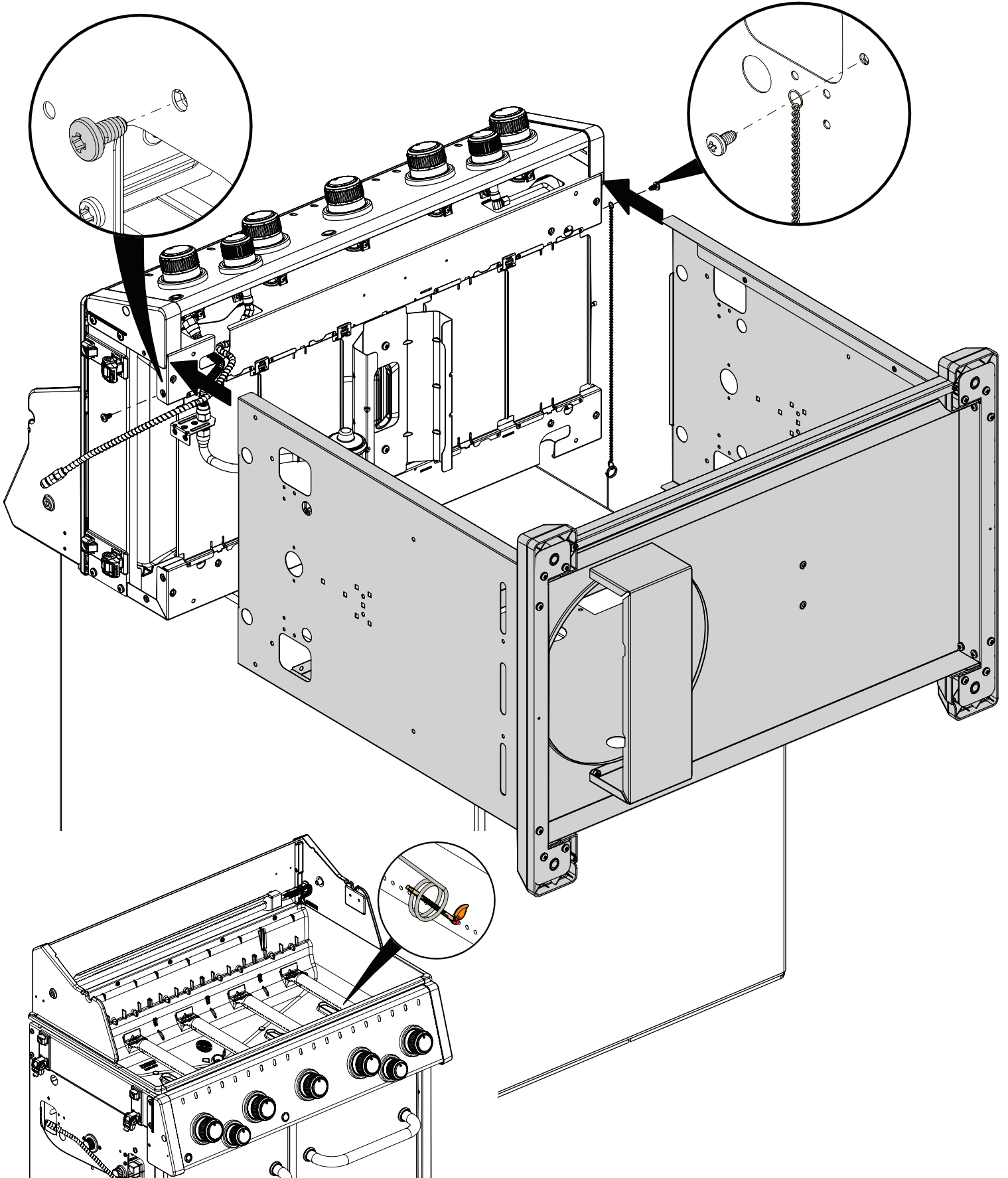
6

(2) 



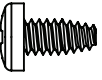
7

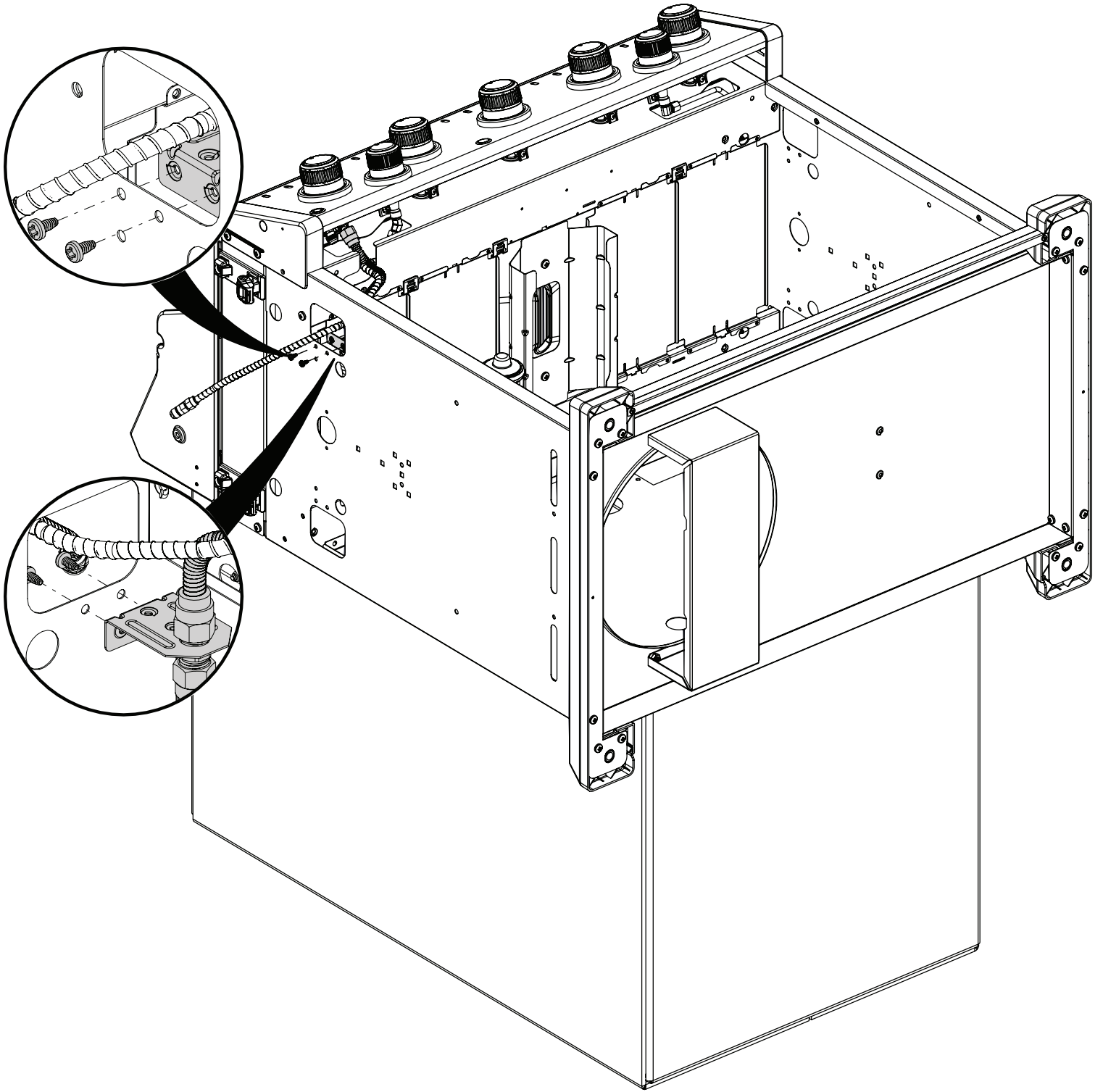
(2)  (1)



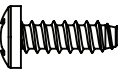


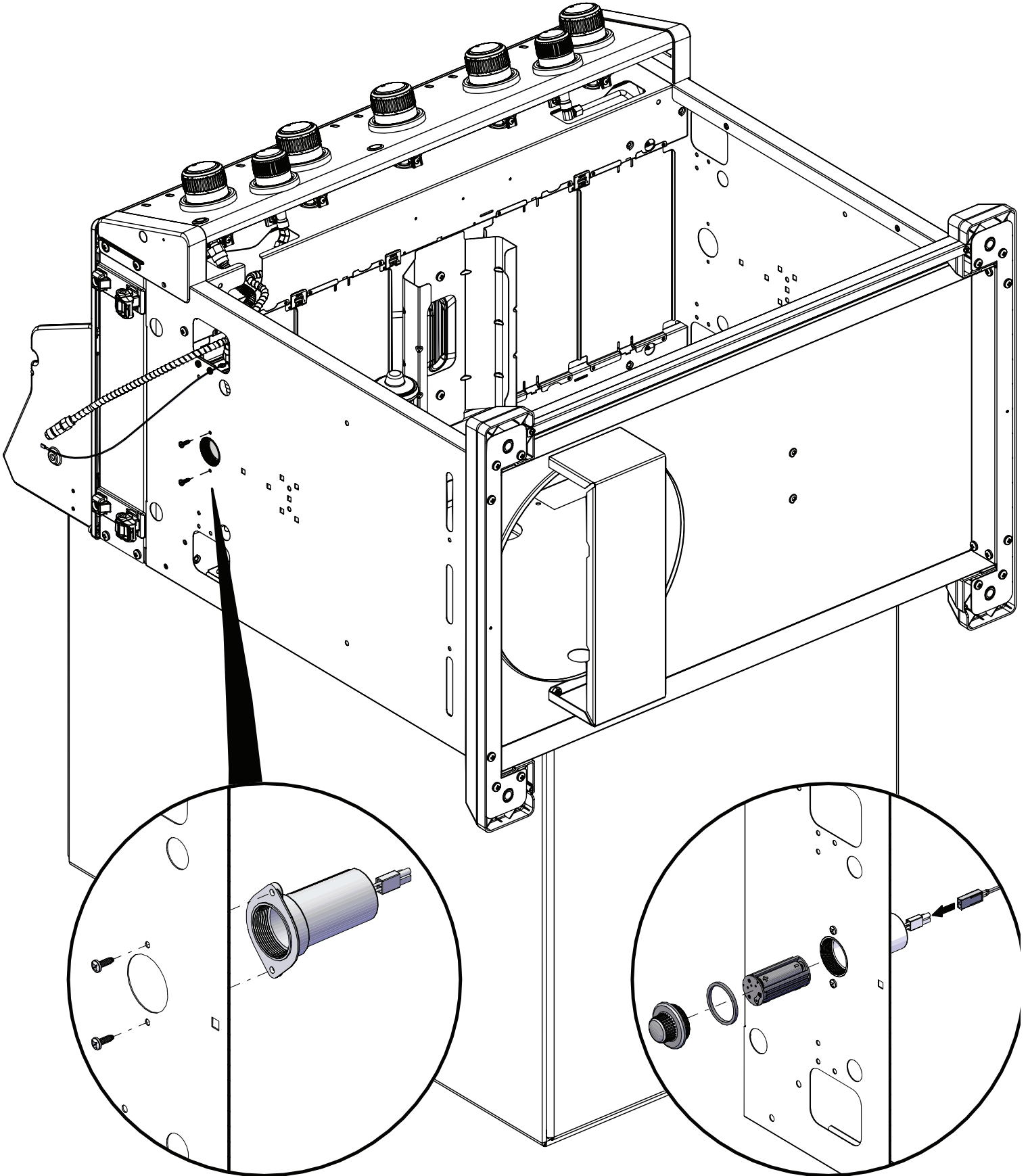
8

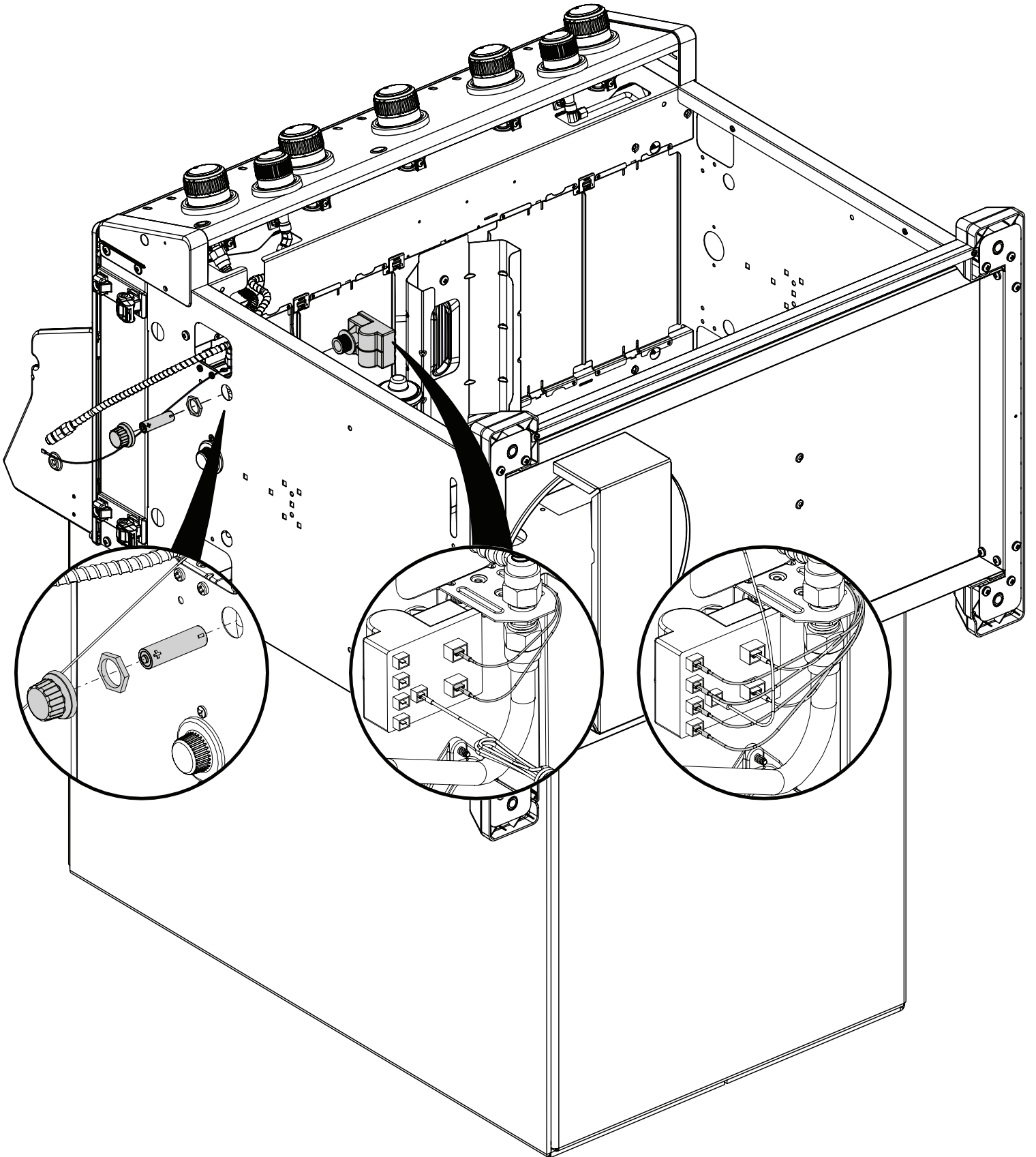
(2) 



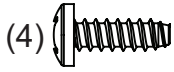
9

(2) 

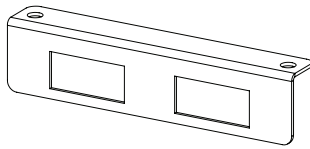




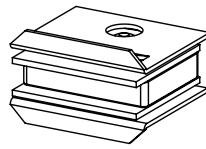
# 11



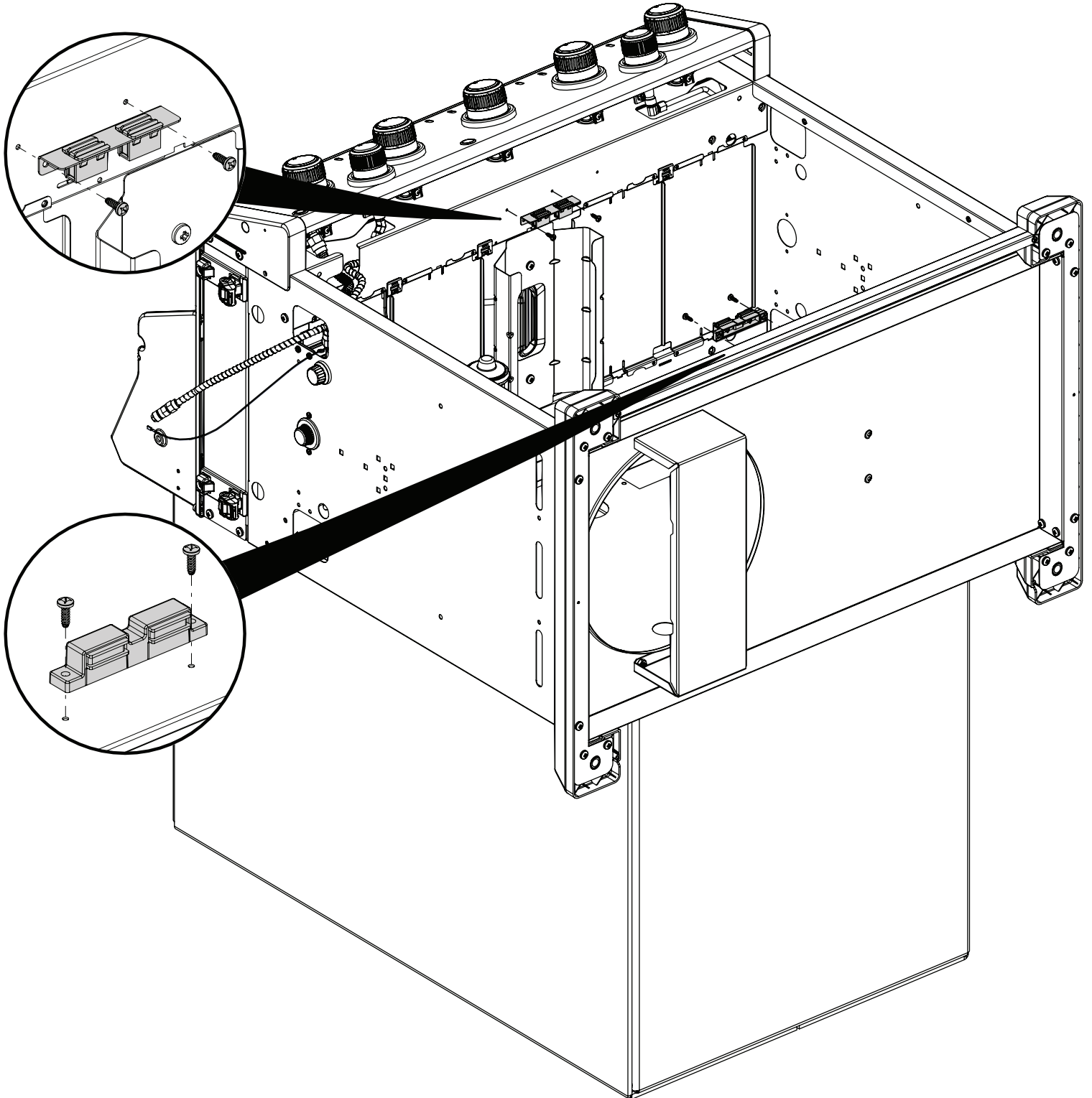
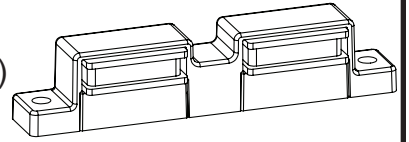
(1)



(2)

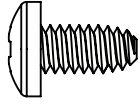


(1)

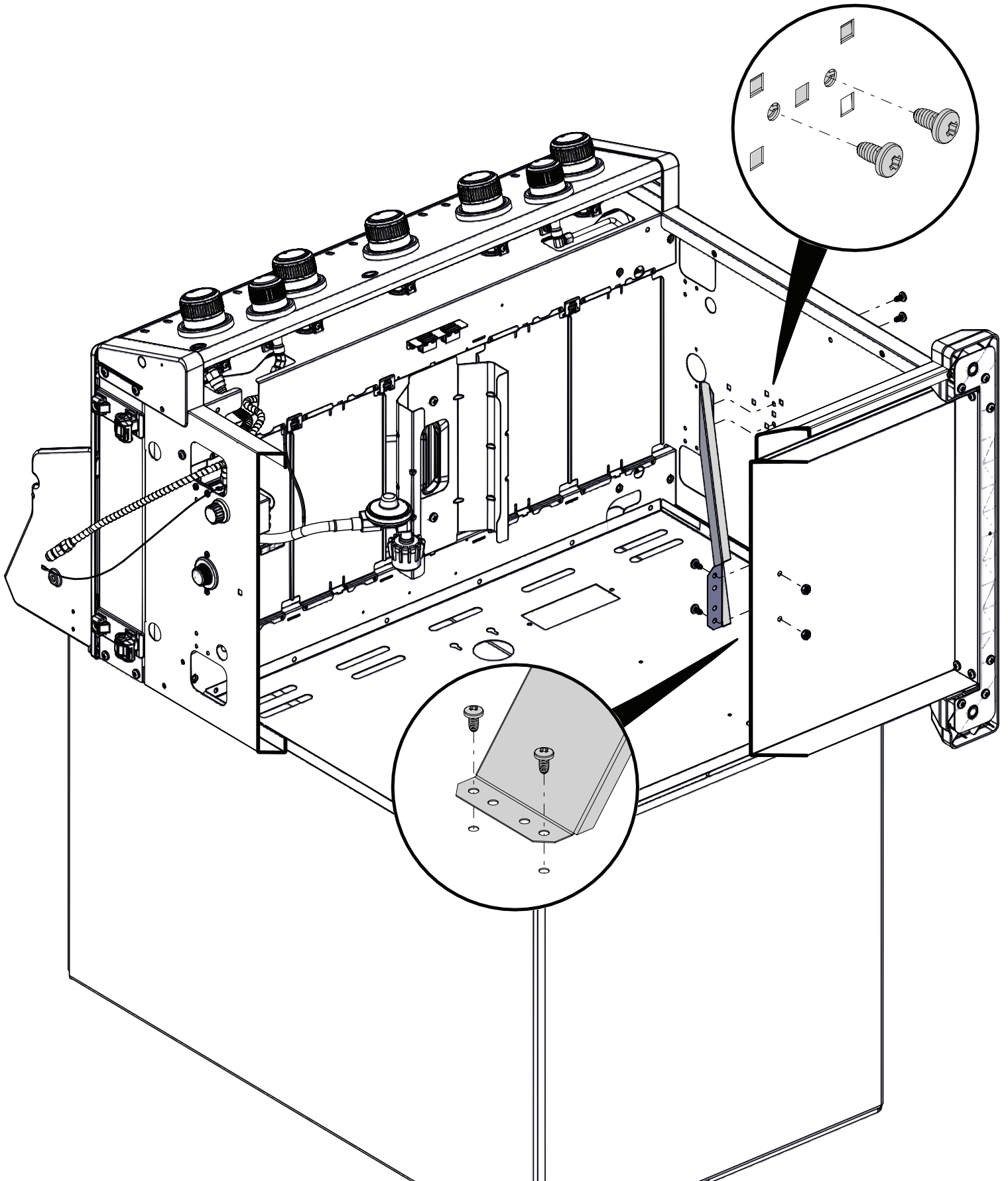
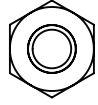


# 12

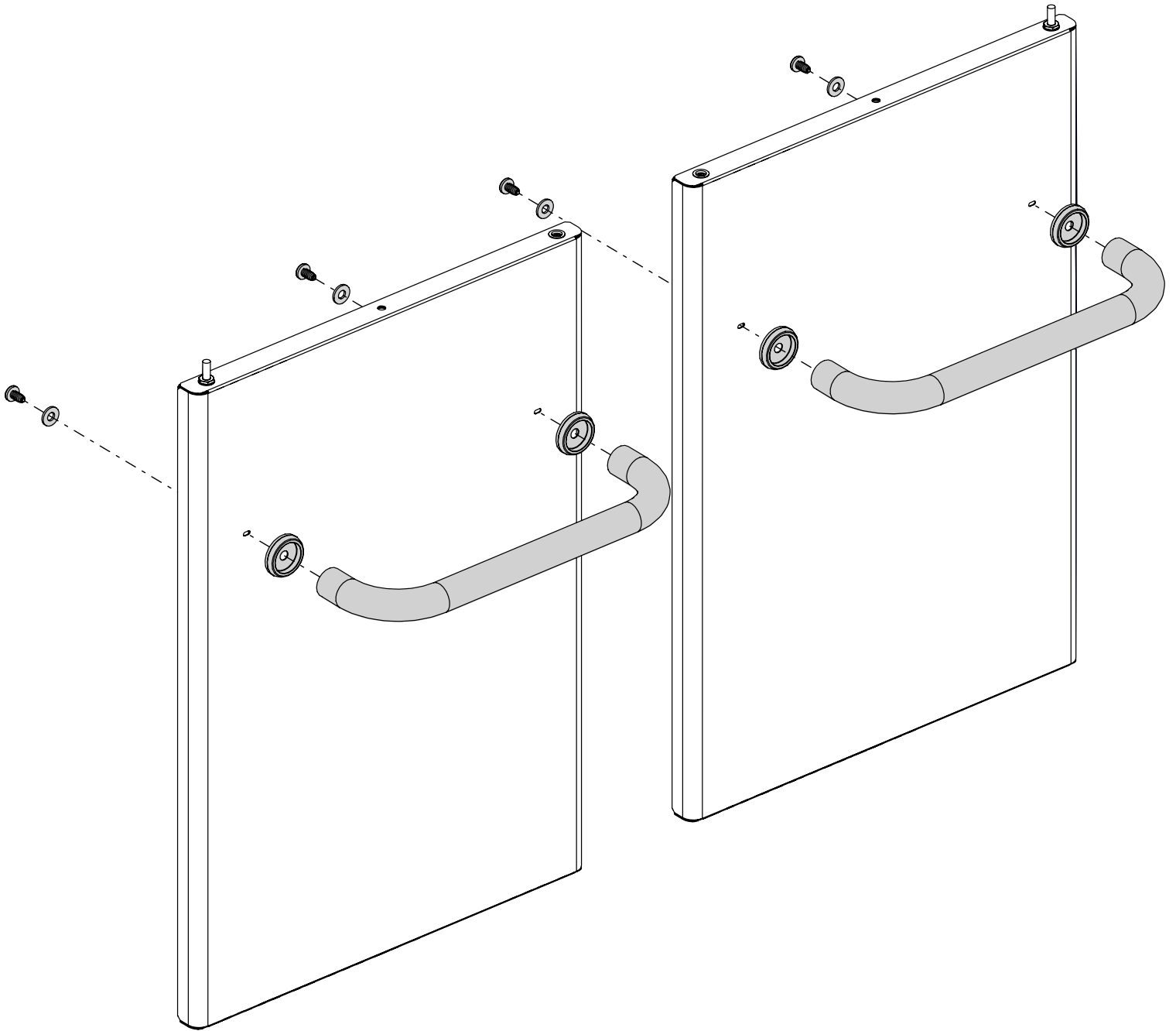
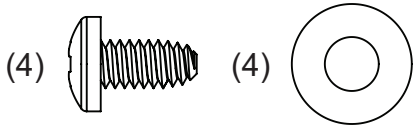
(4)



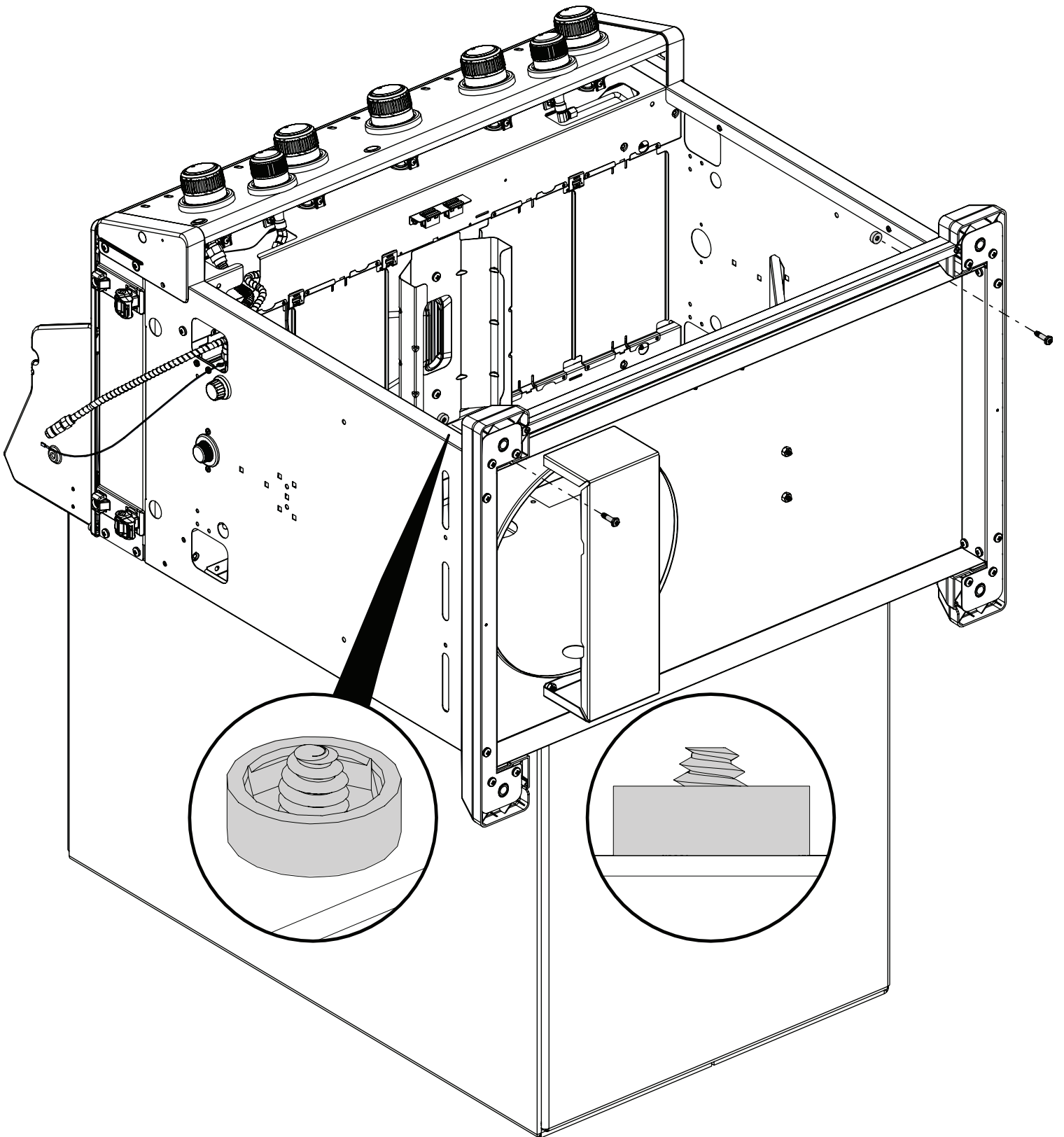
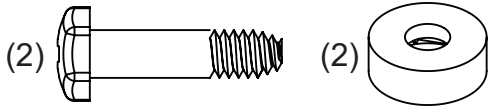
(2)

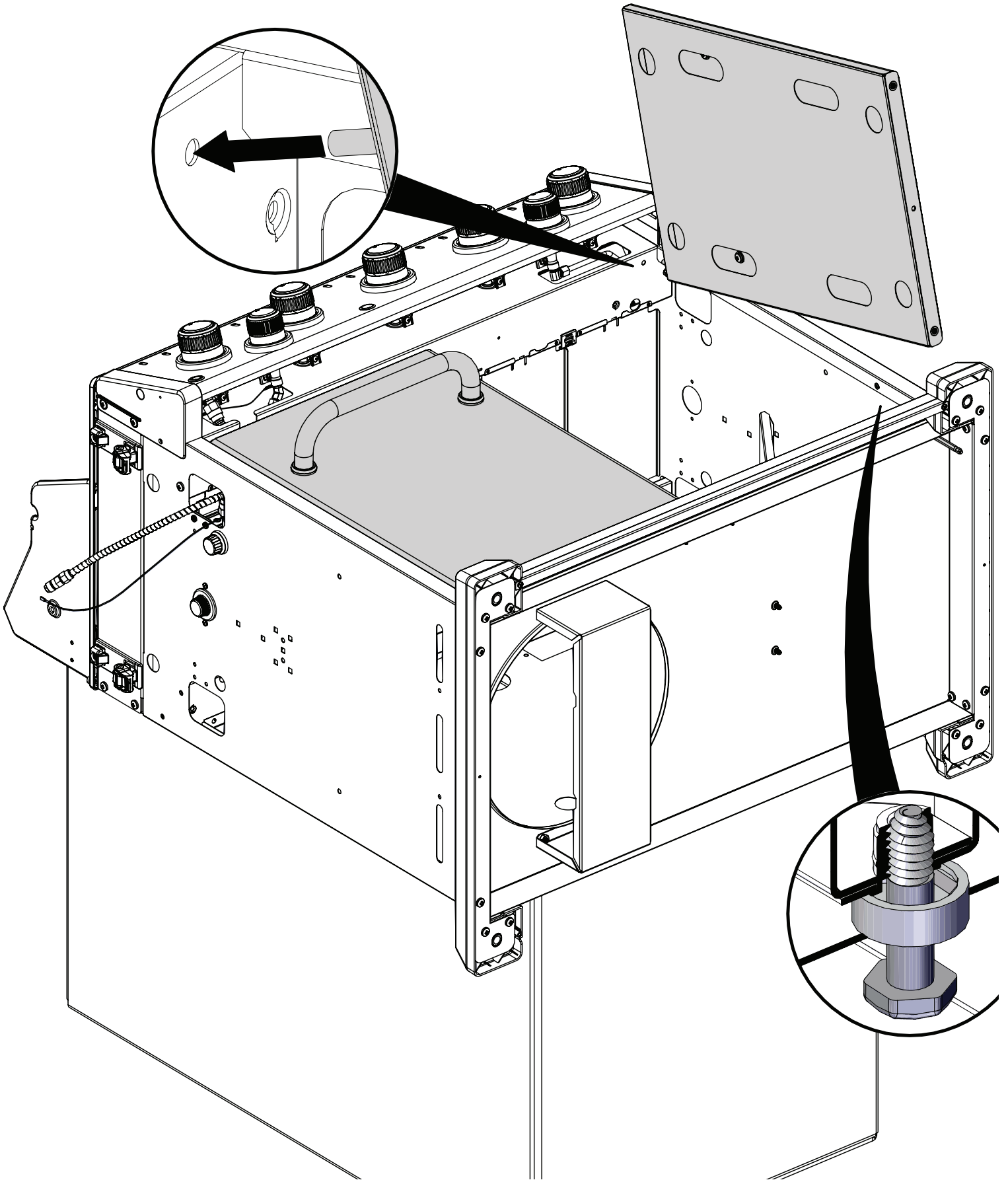


# 13



# 14

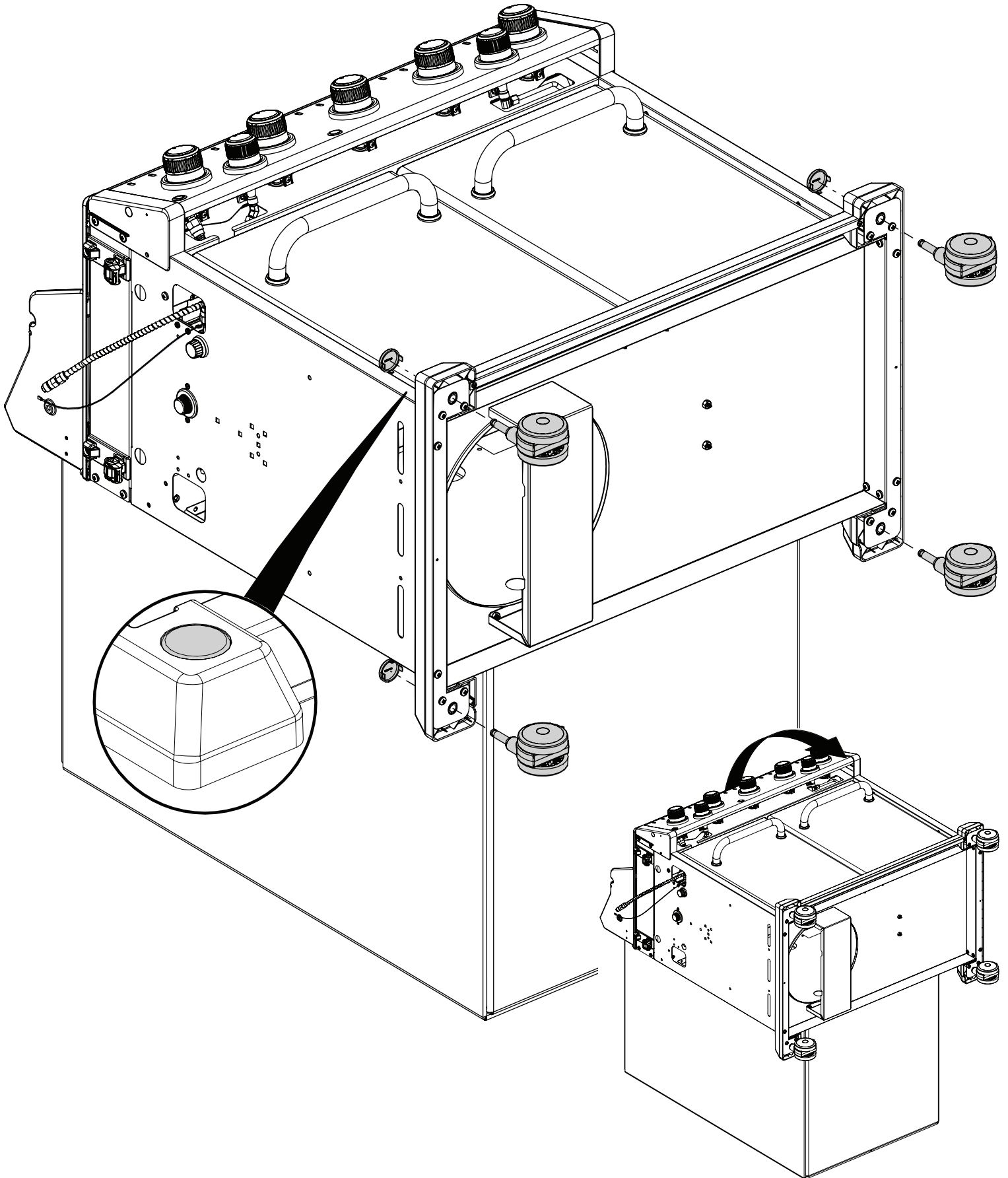
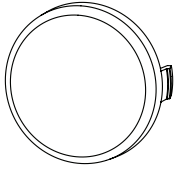






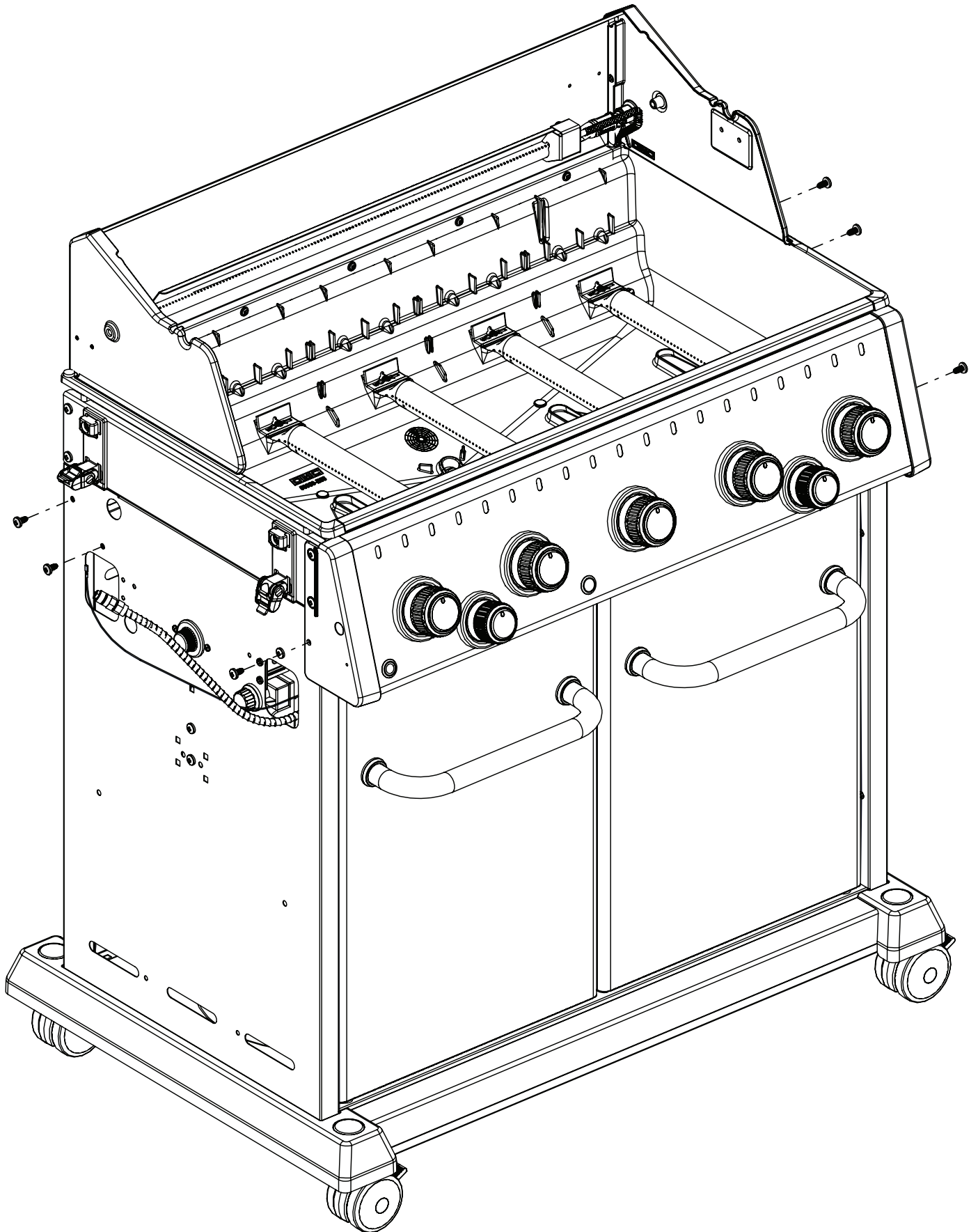
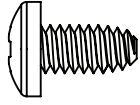
# 16

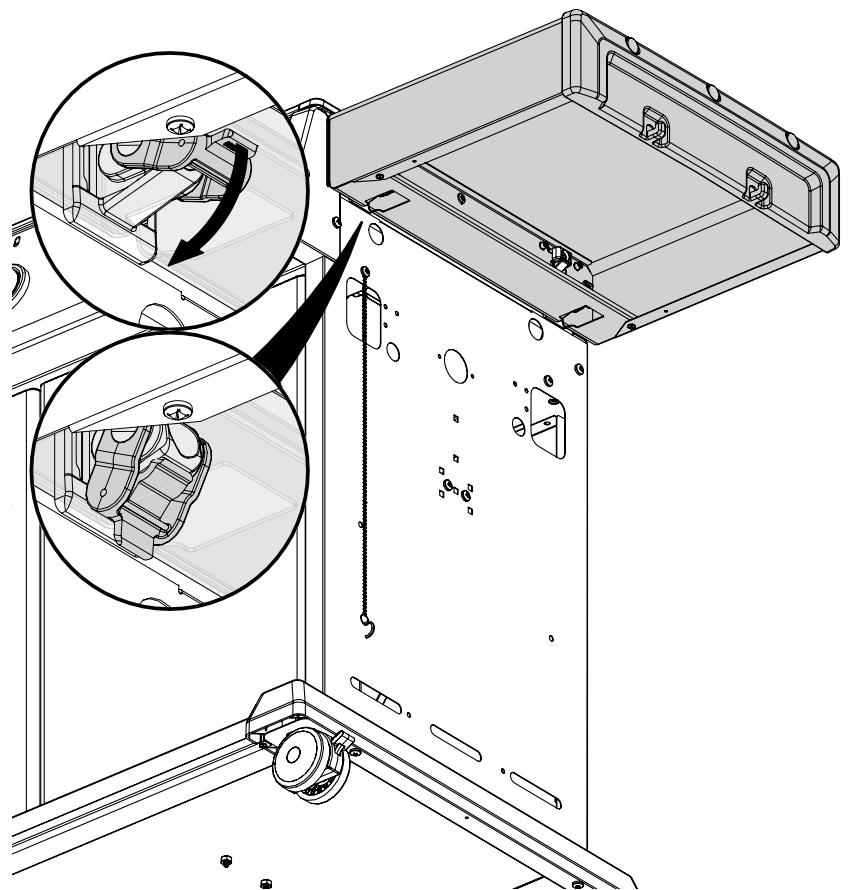
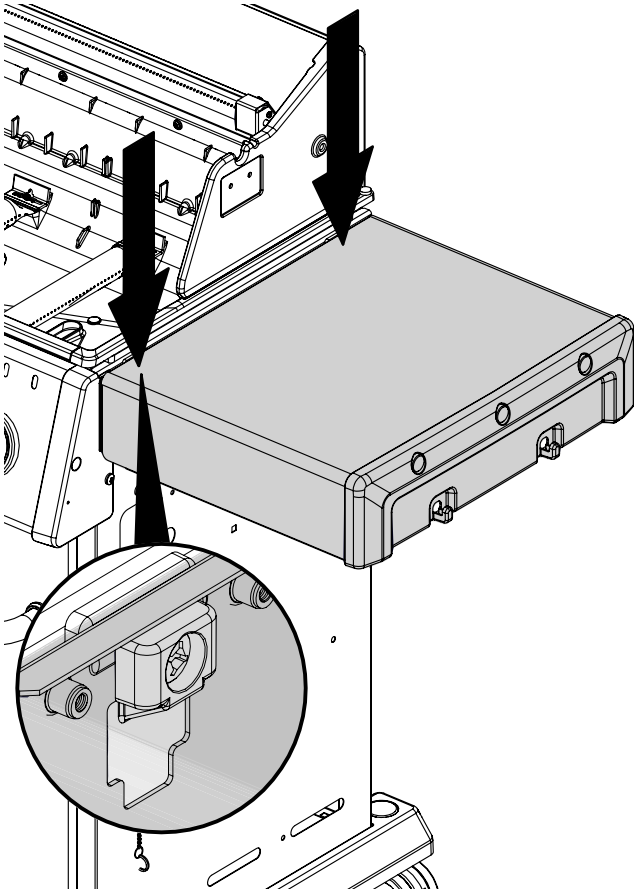
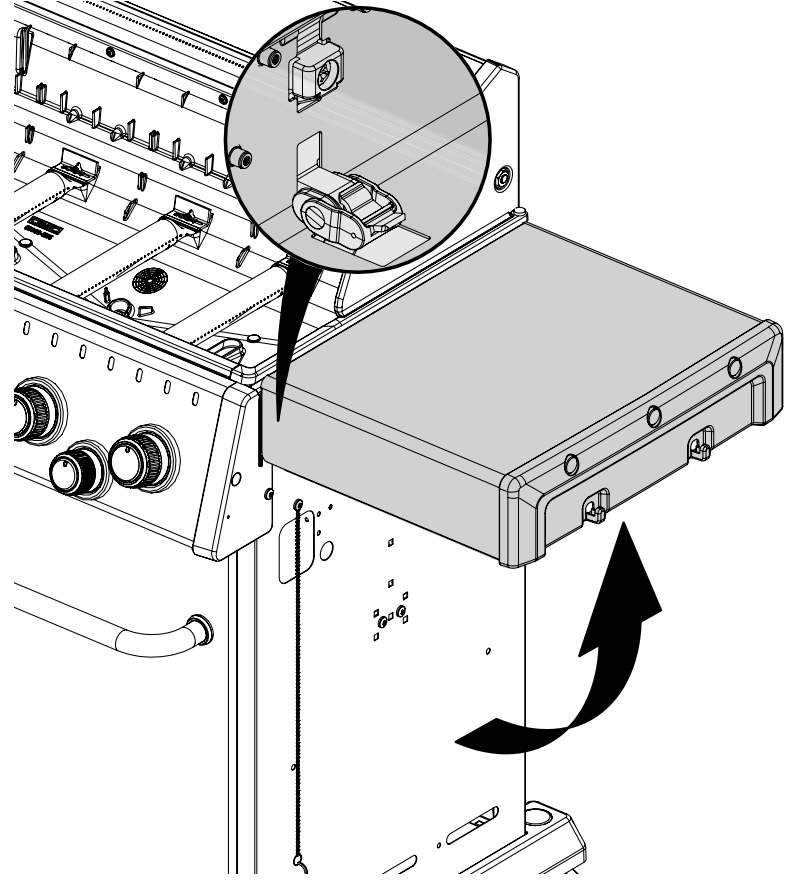
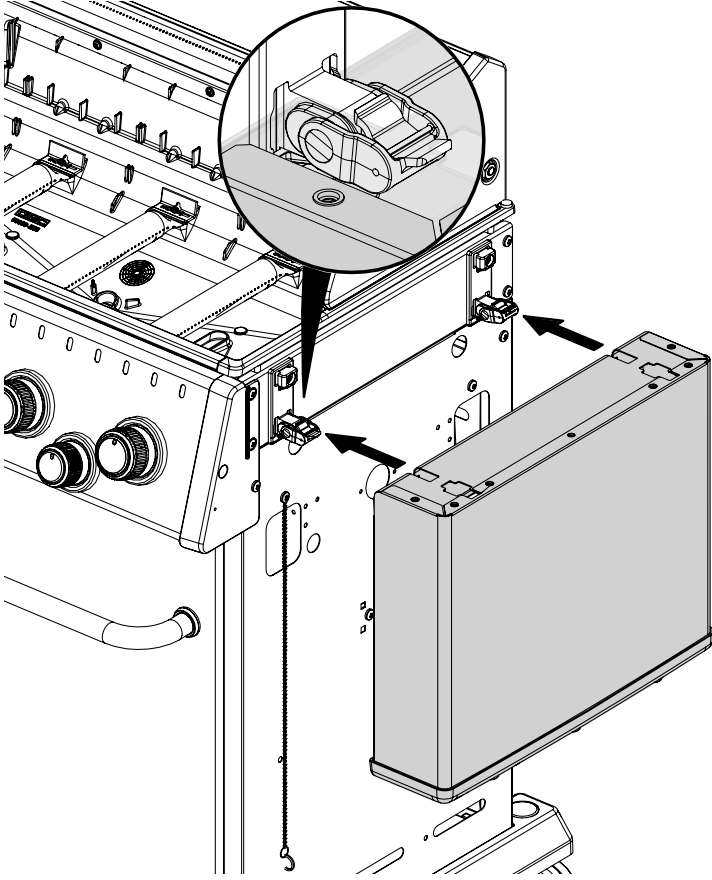
(4)



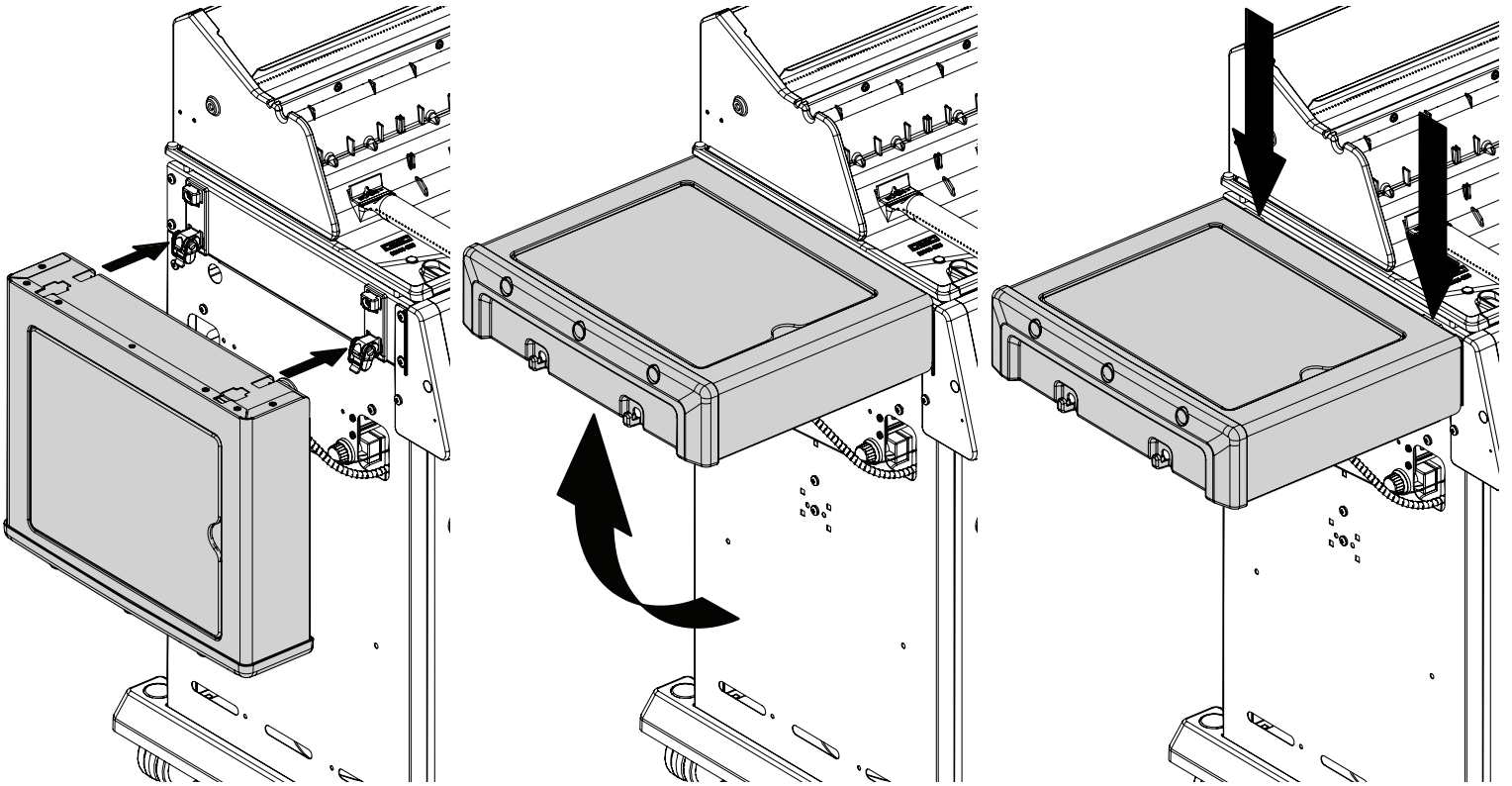
# 17

(6)

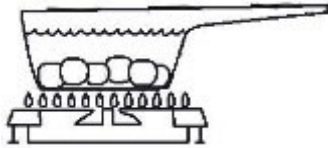




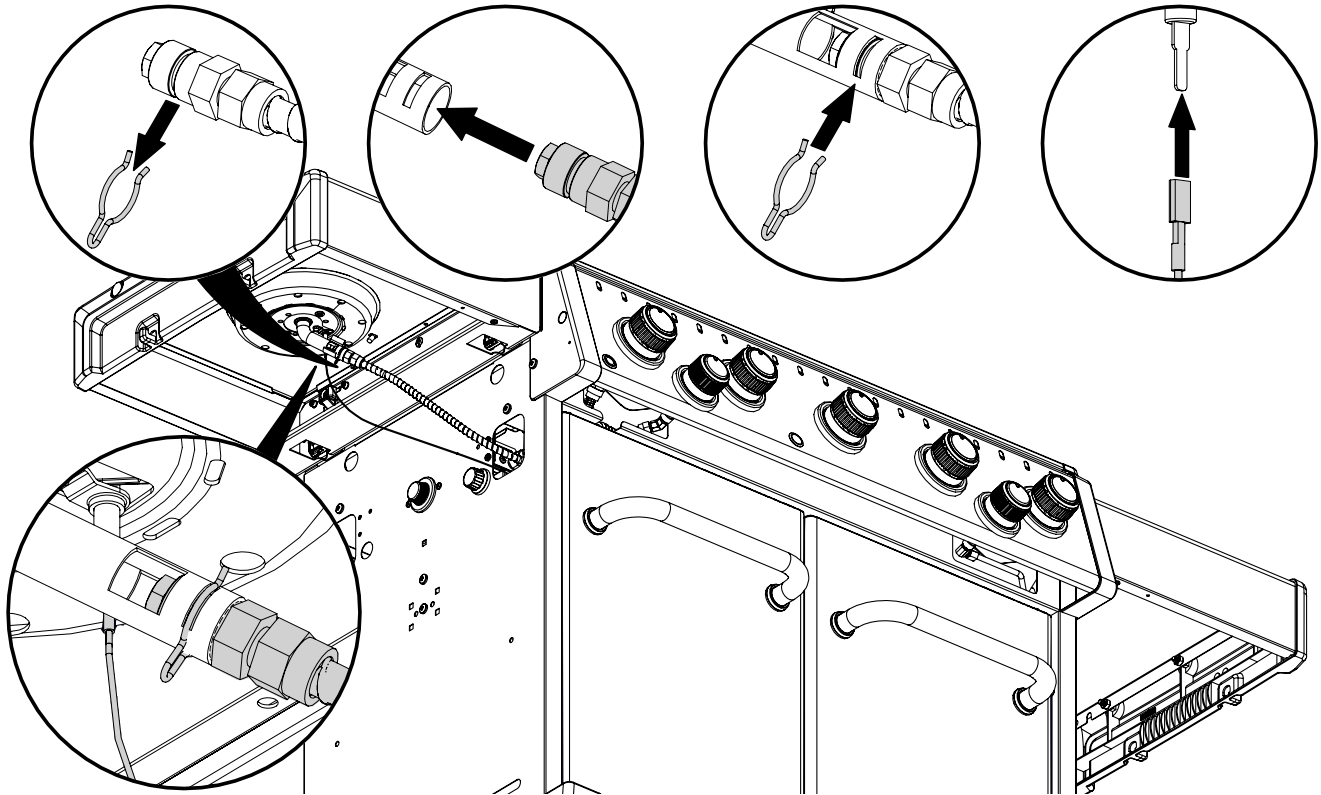
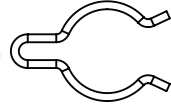
# 19



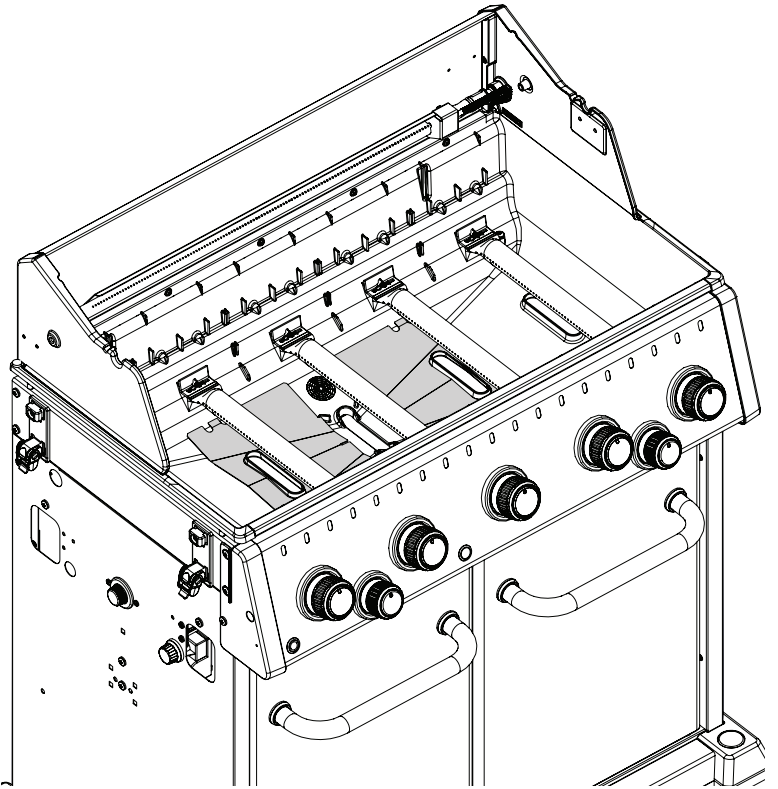
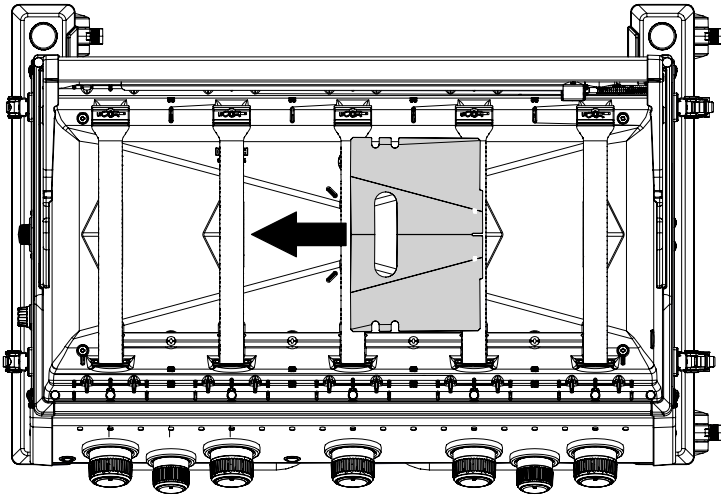
# 20



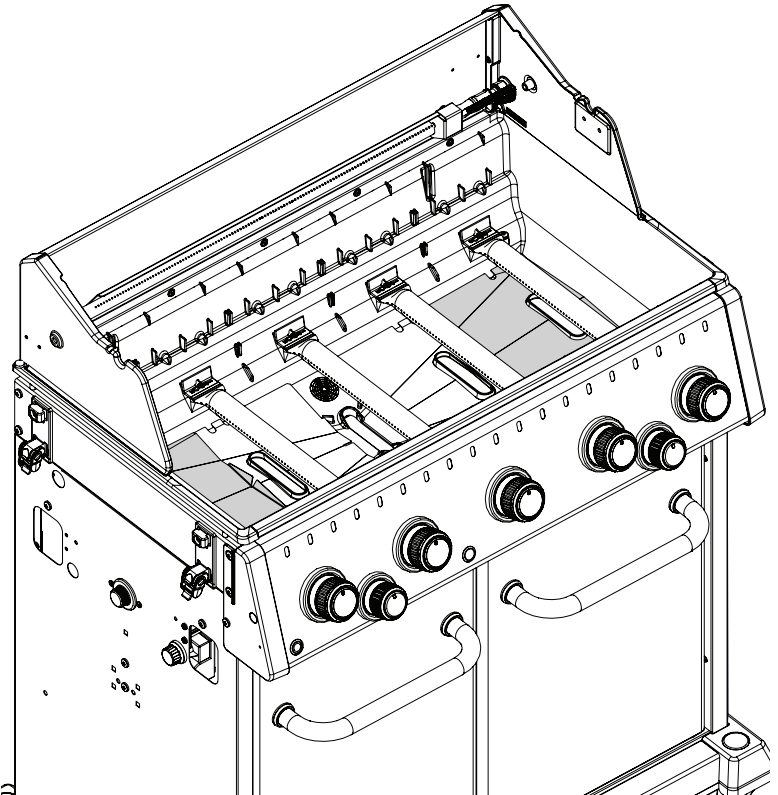
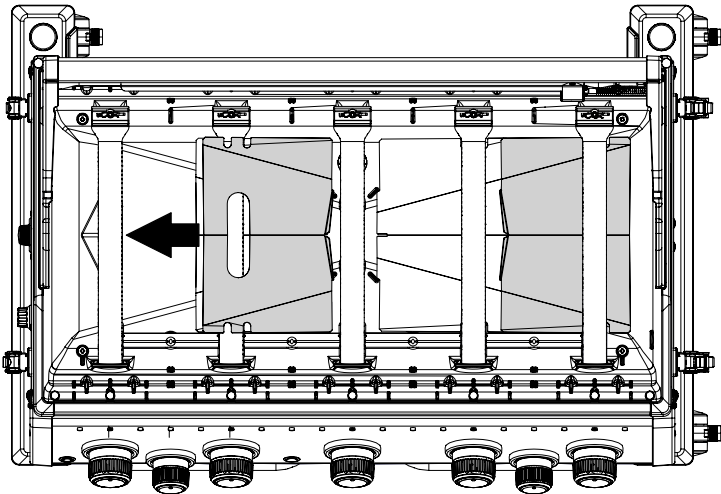
(1)



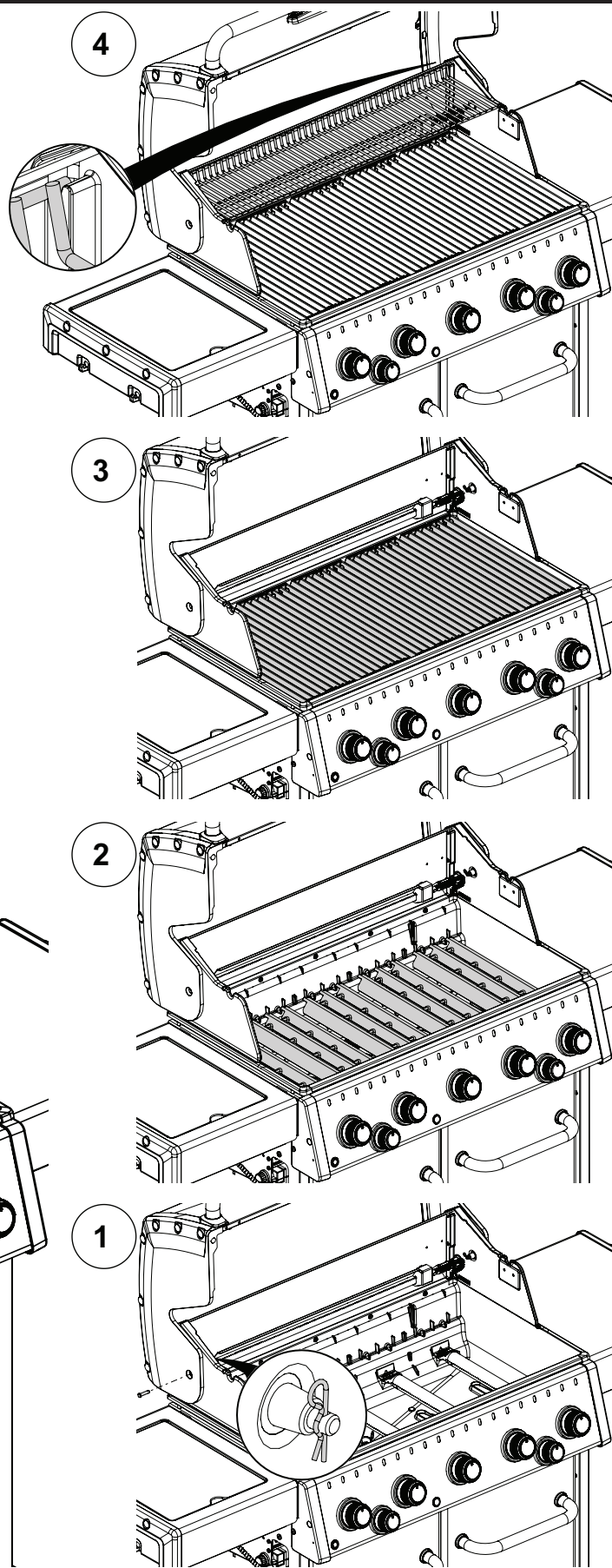
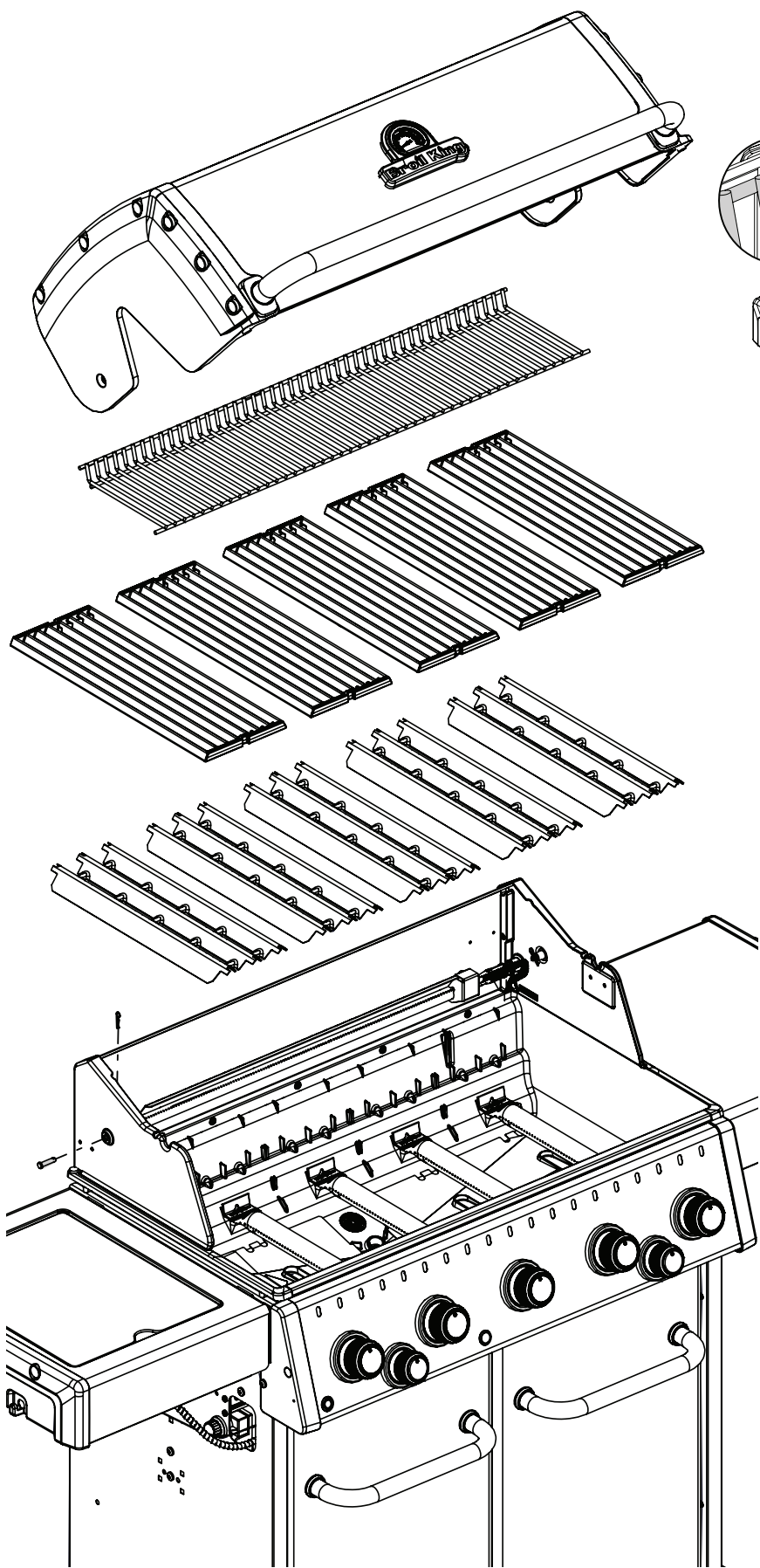
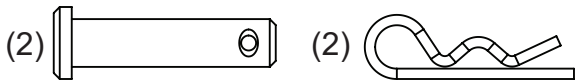
# 21

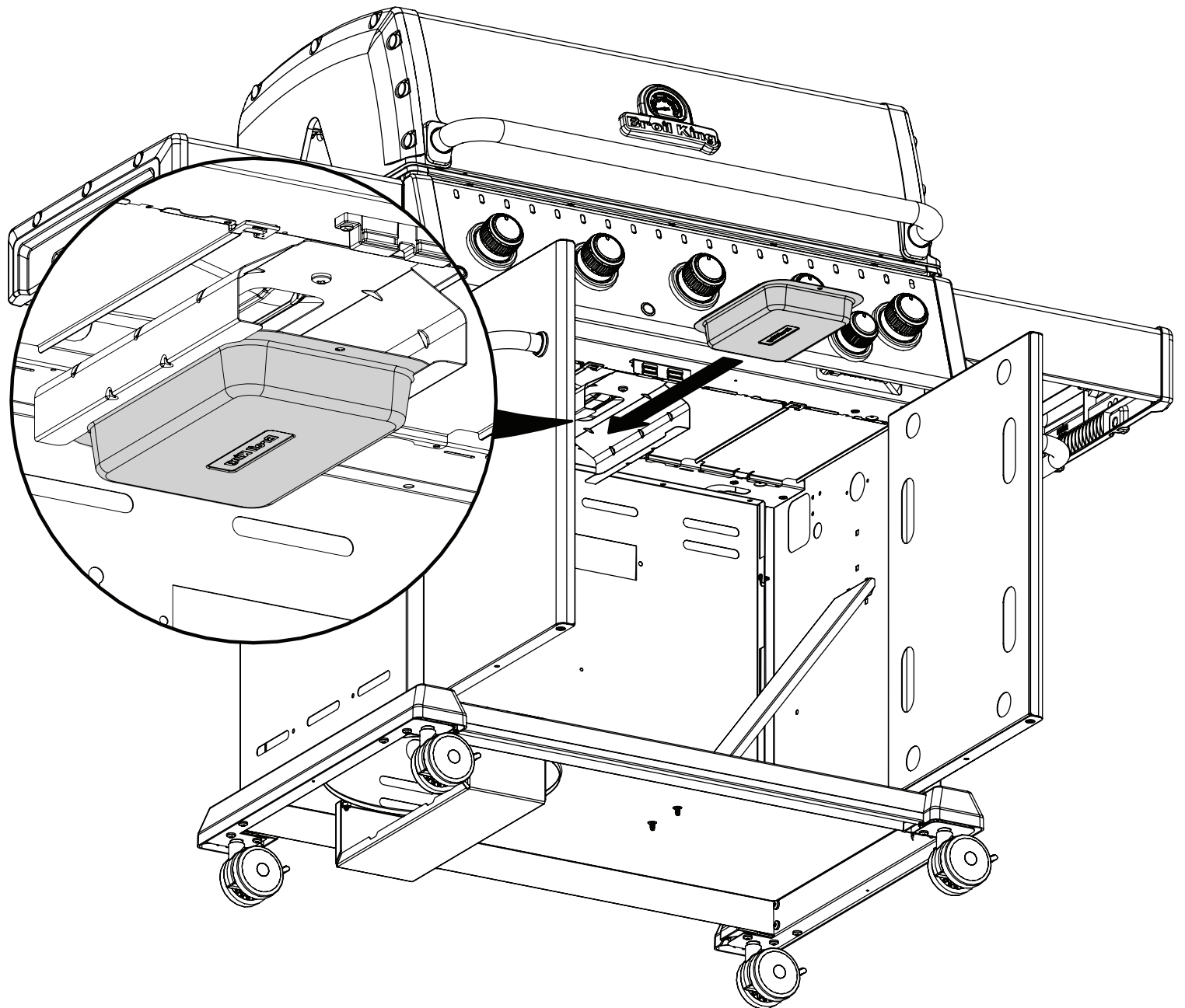
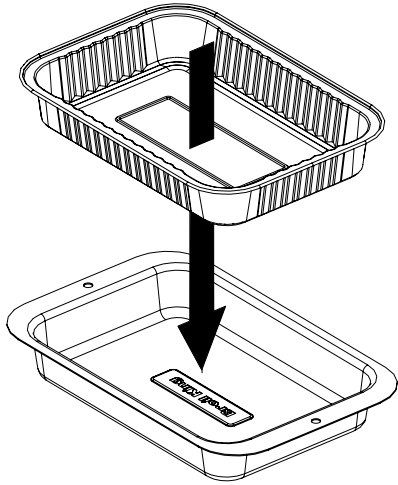


# 22

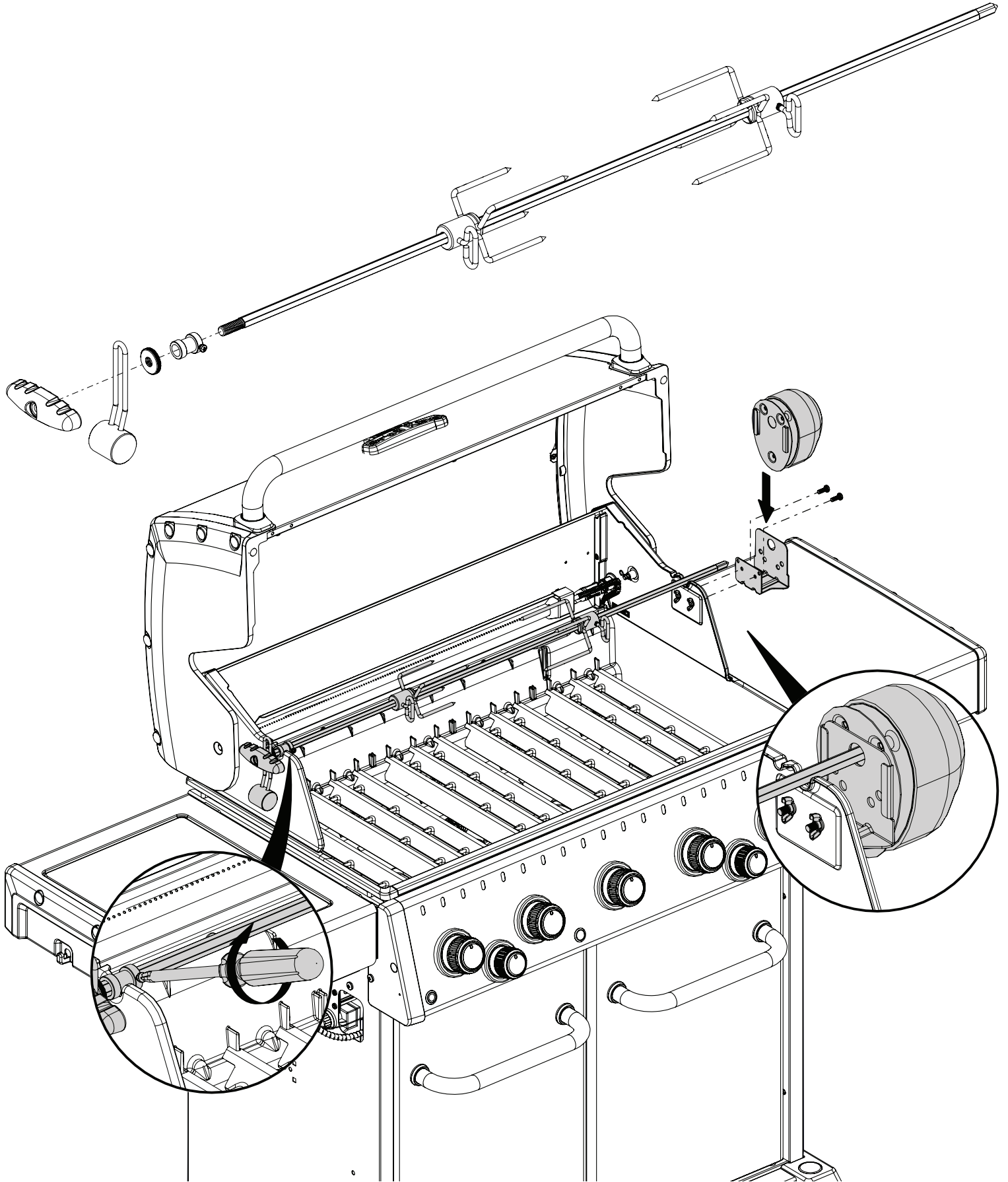
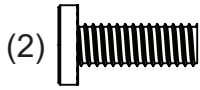


# 23



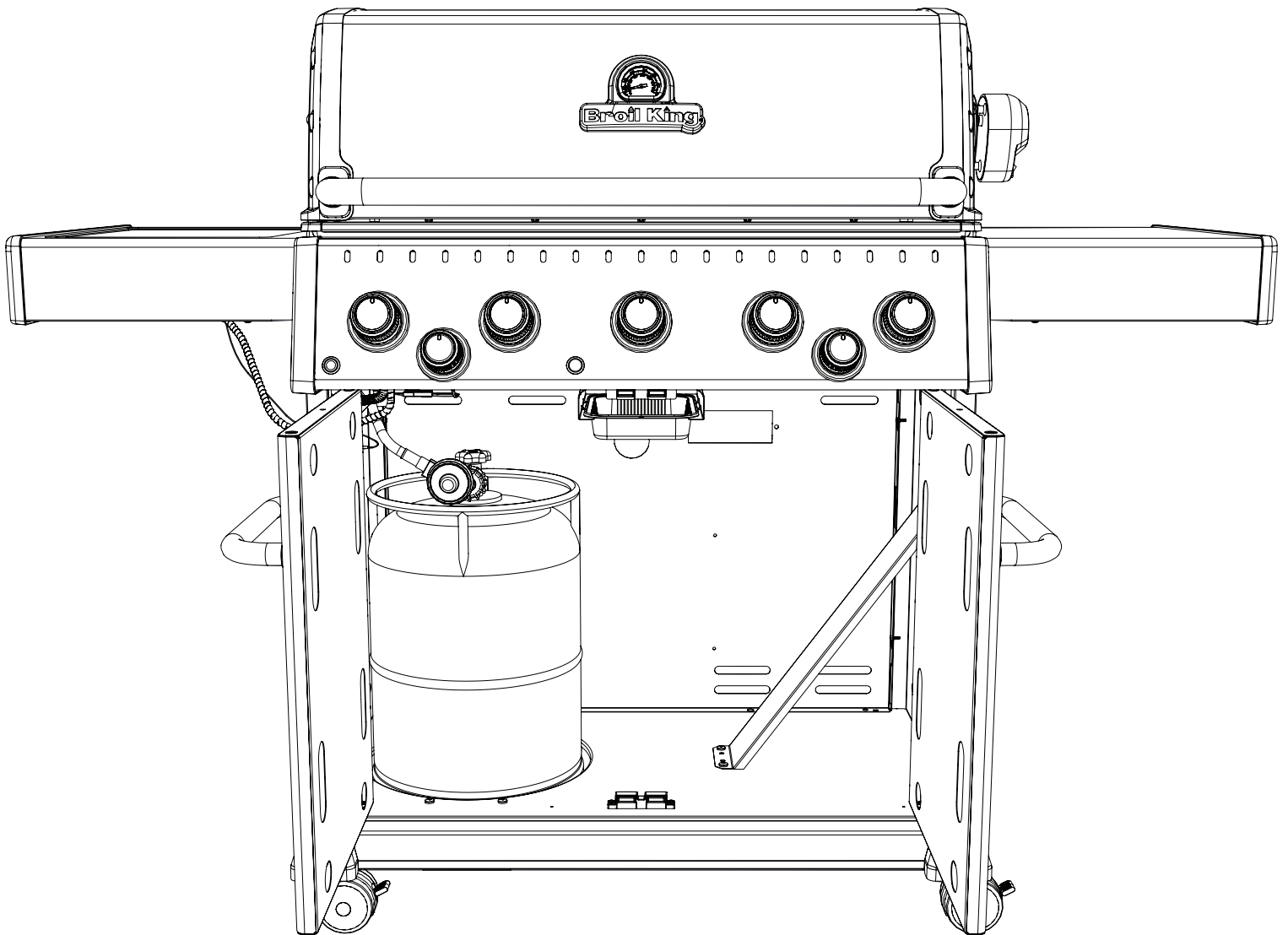
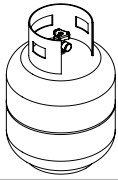


# 25

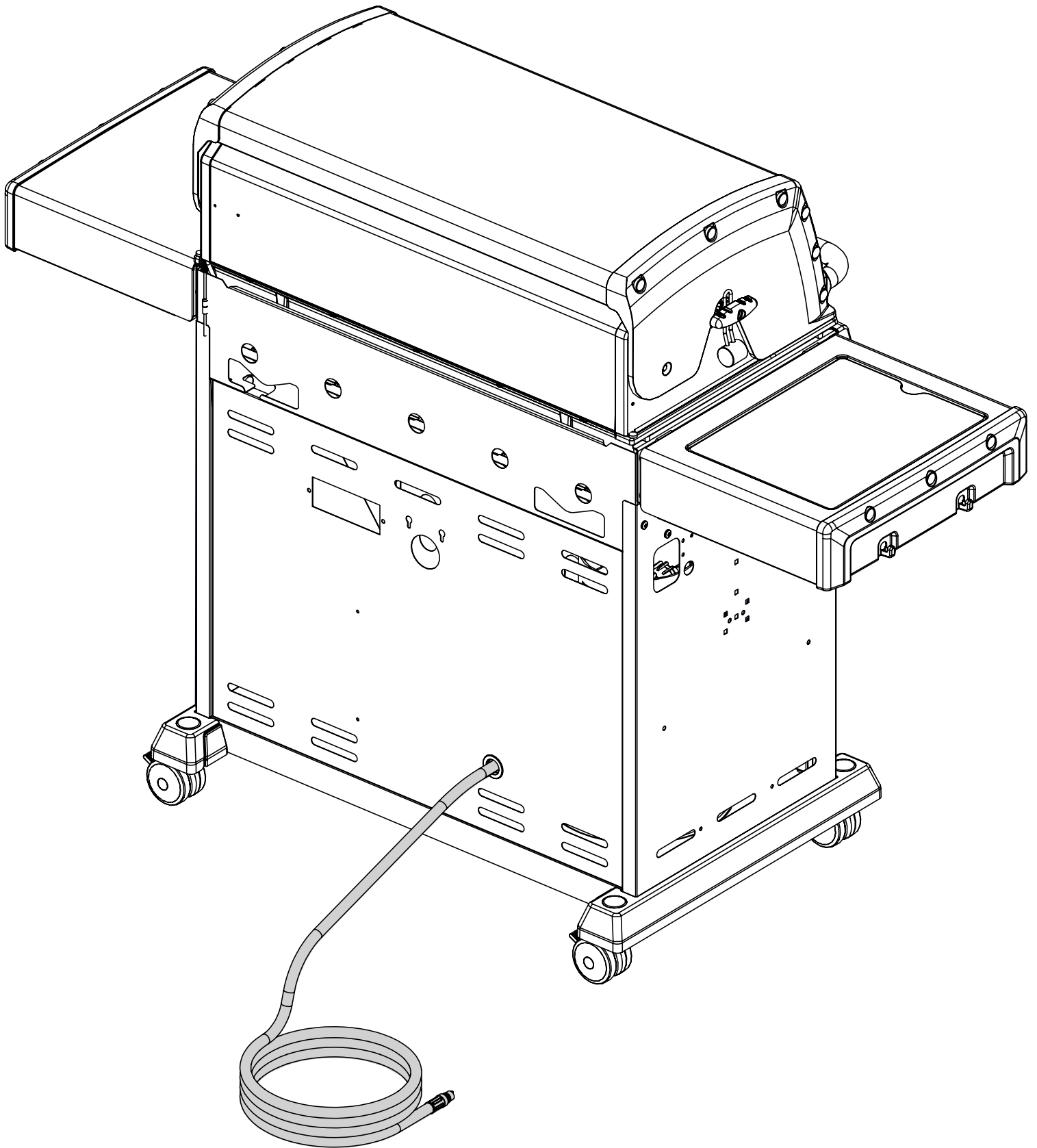




26



27





## PARTS LIST / LISTE DES PIECES

KEY #	ITEM #	DESCRIPTION	8762-52	8762-53	8762-62	8762-63	8762-82	8762-83	8762-86	8763-52	8763-53	8763-62	8763-63	8763-82	8763-83	8763-86
44	10342-45	ELECTRONIC IGNITOR	.	.	.	.	1	1	1	.	.	.	.	1	1	1
44A	25070-925	WIRE - IGNITOR	1	1	1	1	1	1	1	1	1	1	1	1	1	1
44B	25070-93	BUTTON - IGNITOR	1	1	1	1	1	1	1	1	1	1	1	1	1	1
48	52004-007	GREASE PAN	1	1	1	1	1	1	1	1	1	1	1	1	1	1
49	51009-007	GREASE TRAY	1	1	1	1	1	1	1	1	1	1	1	1	1	1
50	52059-101	GREASE TRAY SUPPORT	1	1	1	1	1	1	1	1	1	1	1	1	1	1
51	52009-104	FLAV-R-WAVE®	5	5	5	5	5	5	5	5	5	5	5	5	5	5
52	52349-004	GREASE SHIELD	2	2	2	2	2	2	2	2	2	2	2	2	2	2
53	52249-004	GREASE SHIELD	2	2	2	2	2	2	2	2	2	2	2	2	2	2
56	24006-12A	HANDLE	1	1	1	1	1	1	1	1	1	1	1	1	1	1
58	54009-936	BEZEL	2	2	2	2	2	2	2	2	2	2	2	2	2	2
59	10081-BK630	NAMEPLATE	1	1	1	1	1	1	1	1	1	1	1	1	1	1
60	10571-6	HEAT INDICATOR	1	1	1	1	1	1	1	1	1	1	1	1	1	1
65	20005-000	MATCH LIGHT - STICK	1	1	1	1	1	1	1	1	1	1	1	1	1	1
68	51276-211A	DOOR	1	1	1	1	1	1	1	.	.	.	.	.	.	.
	51276-214A	DOOR	.	.	.	.	.	.	.	1	1	1	1	1	1	1
69	51276-231A	DOOR	1	1	1	1	1	1	1	.	.	.	.	.	.	.
	51276-234A	DOOR	.	.	.	.	.	.	.	1	1	1	1	1	1	1
70	21106-13	HANDLE	2	2	2	2	2	2	2	2	2	2	2	2	2	2
71	21070-13	BEZEL	4	4	4	4	4	4	4	4	4	4	4	4	4	4
78	56039-211	MAGNET BRACKET	1	1	1	1	1	1	1	1	1	1	1	1	1	1
80	51189-101	SIDE PANEL	2	2	2	2	2	2	2	2	2	2	2	2	2	2
81	Y-11992	SCREW 1/4-20 x 2 1/4	4	4	4	4	4	4	4	4	4	4	4	4	4	4
82	51606-104	BASE TRIM	1	1	1	1	1	1	1	1	1	1	1	1	1	1
83	51239-901	CABINET BRACKET	1	1	1	1	1	1	1	1	1	1	1	1	1	1
87	Y-11793	NUT 1/4-20	6	6	6	6	6	6	6	6	6	6	6	6	6	6
88	21306-921	PANEL - REAR	1	1	1	1	1	1	1	1	1	1	1	1	1	1
90	51626-131	BASE	1	1	1	1	1	1	1	1	1	1	1	1	1	1
	51626-171	BASE	.	.	.	.	.	.	.	.	.	.	.	.	.	.
99	32001-151	CASTOR BRACKET CAP	4	4	4	4	4	4	4	4	4	4	4	4	4	4
100	51639-108	CASTOR BRACKET	2	2	2	2	2	2	2	2	2	2	2	2	2	2
101	51039-101	CASTOR BRACKET SUPPORT	2	2	2	2	2	2	2	2	2	2	2	2	2	2
102	10892-286	CASTOR	4	4	4	4	4	4	4	4	4	4	4	4	4	4
103	21039-301	TANK BRACKET	1	1	1	1	1	1	1	1	1	1	1	1	1	1
107	Y-12870	WASHER	10	10	10	10	10	10	10	10	10	10	10	10	10	10
113	10342-T14	SIDE BURNER ELECTRODE	.	1	1	1	1	1	1	.	.	.	.	1	1	1
114	53150-614	SHELF - RIGHT	1	1	1	1	1	1	1	1	1	1	1	1	1	1
115	53150-634	SHELF - LEFT	1	1	1	1	1	1	1	1	1	1	1	1	1	1
	53150-654	SHELF - SB - LEFT	.	.	1	1	1	1	1	.	.	.	.	1	1	1
123	Y-12117	BUSHING	.	2	2	2	2	2	2	.	.	2	2	2	2	2
124	23000-271	SIDE BURNER BODY	.	1	1	1	1	1	1	.	.	1	1	1	1	1
125	23000-253	SIDE BURNER COVER	.	1	1	1	1	1	1	.	.	1	1	1	1	1
126	10390-R81A	SIDE BURNER	.	.	1	1	1	1	1	.	.	1	1	1	1	1
	10390-R81D	SCREW M4 X 0.7	.	1	1	1	1	1	1	.	.	1	1	1	1	1
127	Y-12871	GRID	.	2	2	2	2	2	2	.	.	2	2	2	2	2
128	23009-951	GRID	.	1	1	1	1	1	1	.	.	1	1	1	1	1

PARTS LIST / LISTE DES PIECES

KEY #	ITEM #	DESCRIPTION	8762-52	8762-53	8762-62	8762-63	8762-82	8762-83	8762-86	8763-52	8763-53	8763-62	8763-63	8763-82	8763-83	8763-86
129	Y-11990	HEX NUT	.	.	.	.	1	1	1	.	.	.	1	1	1	1
130	27906-354	BURNER ROTISSERIE	.	.	.	.	1	1	1	.	.	.	1	1	1	1
131	10693-099	REAR BURNER-ORIFICE	.	.	.	.	1	.	.	.	.	.	1	.	.	.
10693-104	REAR BURNER-ORIFICE		.	.	.	.	.	1	.	.	.	.	.	1	.	.
10693-161	REAR BURNER-ORIFICE		.	.	.	.	.	.	1	.	.	.	.	.	1	1
133	S15271	HANDLE	.	.	.	.	1	1	1	.	.	.	1	1	1	1
134	S15270	BALANCER	.	.	.	.	1	1	1	.	.	.	1	1	1	1
135	S15299	WASHER	.	.	.	.	1	1	1	.	.	.	1	1	1	1
136	S15263	BUSHING	.	.	.	.	1	1	1	.	.	.	1	1	1	1
137	S15259	SPIT ROD	.	.	.	.	1	1	1	.	.	.	1	1	1	1
138	S15287	4 PRONG FORKS	.	.	.	.	2	2	2	.	.	.	2	2	2	2
139	57039-901	ROTISSERIE BRACKET	.	.	.	.	1	1	1	.	.	.	1	1	1	1
140	S21125S	SCREW #8 X 1/2	10	10	10	10	10	10	10	10	10	10	10	10	10	10
141	Y-11559	BOLT 1/4-20 X 1	2	2	2	2	2	2	2	2	2	2	2	2	2	2
144	Y-12220	BUSHING	.	.	.	.	.	.	1	.	.	.	.	.	1	1
145	S21235	HINGE PIN	2	2	2	2	2	2	2	2	2	2	2	2	2	2
146	S21233	HITCH PIN CLIP	2	2	2	2	2	2	2	2	2	2	2	2	2	2
147	Y-11231	LID BUMPER	4	4	4	4	4	4	4	4	4	4	4	4	4	4
148	10240-20	DOOR PIN	2	2	2	2	2	2	2	2	2	2	2	2	2	2
149	Y-11551	SHOULDER SCREW 1/4-20 X 1	2	2	2	2	2	2	2	2	2	2	2	2	2	2
150	Y-12124	DOOR PIN CAP	2	2	2	2	2	2	2	2	2	2	2	2	2	2
151	Y-12857	WASHER	4	4	4	4	4	4	4	4	4	4	4	4	4	4
152	Y-12229	MAGNET	1	1	1	1	1	1	1	1	1	1	1	1	1	1
153	Y-12223	MAGNET - PUSH IN	2	2	2	2	2	2	2	2	2	2	2	2	2	2
154	Y-12129	WIRE CLIP	3	3	3	3	3	3	3	3	3	3	3	3	3	3
155	S21124	SCREW #8 X 1/2	8	8	8	8	8	8	8	8	8	8	8	8	8	8
157	Y-12835	SCREW #6-32 X 1/4	.	.	.	.	2	2	2	.	.	.	2	2	2	2
158	Y-12646	SCREW SHOULDER #8 X 1/2	.	.	2	2	2	2	2	.	.	2	2	2	2	2
159	S21127S	SCREW #8-32 X 7/16	10	10	12	12	14	14	14	10	10	12	14	14	14	14
160	Y-29304	BOLT #10-24 X 3/8	6	6	6	6	6	6	6	6	6	6	6	6	6	6
161	Y-12310	SCREW 1/4-20 X 3/4	8	8	8	8	8	8	8	8	8	8	8	8	8	8
163	S35094	SCREW #10-24 X 5/8	4	4	4	4	4	4	4	4	4	4	4	4	4	4
169	S21061	WING NUT	.	.	.	.	2	2	2	.	.	.	2	2	2	2
171	S15246	MOTOR	.	.	.	.	1	1	1	.	.	.	1	1	1	1
172	S15524	ELECTRODE	.	.	.	.	1	1	1	.	.	.	1	1	1	1
173	S21362	SPRING	.	.	.	.	1	1	1	.	.	.	1	1	1	1
180	S35095	SCREW #10-24 X 5/8	.	.	.	.	2	2	2	.	.	.	2	2	2	2
181	25030-73	WIRE - BATTERY PACK	1	1	1	1	1	1	1	1	1	1	1	1	1	1
181A	25070-95	LIGHT SWITCH	1	1	1	1	1	1	1	1	1	1	1	1	1	1
184	25080-80	BATTERY PACK	1	1	1	1	1	1	1	1	1	1	1	1	1	1
186	Y-12865	SCREW 1/4-20 X 3/4	52	52	52	52	48	48	48	52	52	52	48	48	48	48
190	25020-83	WIRE - LED LIGHT	1	1	2	2	1	1	1	1	1	2	1	1	1	1
191	25020-82	WIRE - LED LIGHT	1	1	.	.	.	.	.	1	1	.	.	.	.	.
25020-84	WIRE - LED LIGHT		.	.	.	.	1	1	1	.	.	.	1	1	1	1

